
PILOT'S OPERATING HANDBOOK

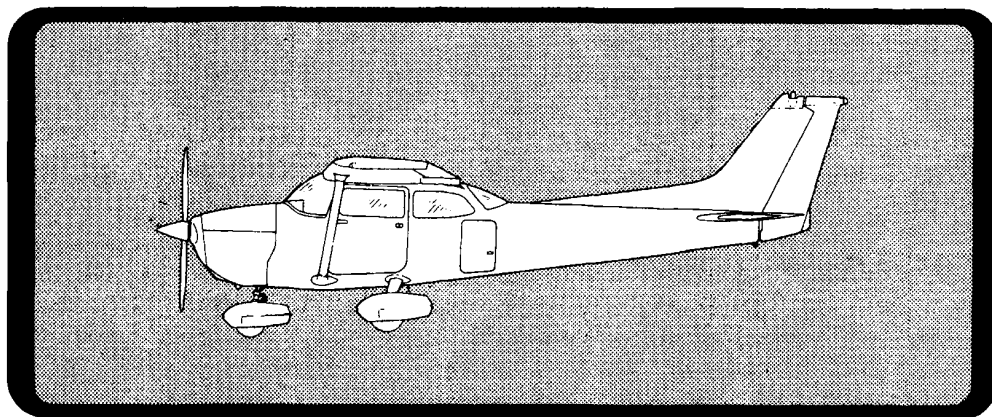
Cessna[®] 1977

Skyhawk

CESSNA MODEL 172N

PILOT'S OPERATING HANDBOOK

Cessna®



SKYHAWK

1977 MODEL 172N

**PERFORMANCE-
SPECIFICATIONS**

**CESSNA
MODEL 172N**

PERFORMANCE - SPECIFICATIONS

SPEED:

Maximum at Sea Level 125 KNOTS
Cruise, 75% Power at 8000 Ft 122 KNOTS

CRUISE: Recommended Lean Mixture with fuel allowance for engine start, taxi, takeoff, climb and 45 minutes reserve at 45% power.

75% Power at 8000 Ft Range 485 NM
40 Gallons Usable Fuel Time 4.1 HRS
75% Power at 8000 Ft Range 630 NM
50 Gallons Usable Fuel Time 5.3 HRS
Maximum Range at 10,000 Ft Range 575 NM
40 Gallons Usable Fuel Time 5.7 HRS
Maximum Range at 10,000 Ft Range 750 NM
50 Gallons Usable Fuel Time 7.4 HRS

RATE OF CLIMB AT SEA LEVEL 770 FPM
SERVICE CEILING 14,200 FT

TAKEOFF PERFORMANCE:

Ground Roll 805 FT
Total Distance Over 50-Ft Obstacle 1440 FT

LANDING PERFORMANCE:

Ground Roll 520 FT
Total Distance Over 50-Ft Obstacle 1250 FT

STALL SPEED (CAS):

Flaps Up, Power Off 50 KNOTS
Flaps Down, Power Off 44 KNOTS

MAXIMUM WEIGHT 2300 LBS

STANDARD EMPTY WEIGHT:

Skyhawk 1379 LBS
Skyhawk II 1403 LBS

MAXIMUM USEFUL LOAD:

Skyhawk 921 LBS
Skyhawk II 897 LBS

BAGGAGE ALLOWANCE 120 LBS

WING LOADING: Pounds/Sq Ft 13.2

POWER LOADING: Pounds/HP 14.4

FUEL CAPACITY: Total

Standard Tanks 43 GAL.
Long Range Tanks 54 GAL.

OIL CAPACITY 6 QTS

ENGINE: Avco Lycoming O-320-H2AD
160 BHP at 2700 RPM

PROPELLER: Fixed Pitch, Diameter 75 IN.

CONGRATULATIONS

Welcome to the ranks of Cessna owners! Your Cessna has been designed and constructed to give you the most in performance, economy, and comfort. It is our desire that you will find flying it, either for business or pleasure, a pleasant and profitable experience.

This Pilot's Operating Handbook has been prepared as a guide to help you get the most pleasure and utility from your airplane. It contains information about your Cessna's equipment, operating procedures, and performance; and suggestions for its servicing and care. We urge you to read it from cover to cover, and to refer to it frequently.

Our interest in your flying pleasure has not ceased with your purchase of a Cessna. Worldwide, the Cessna Dealer Organization backed by the Cessna Customer Services Department stands ready to serve you. The following services are offered by most Cessna Dealers:

- THE CESSNA WARRANTY, which provides coverage for parts and labor, is available at Cessna Dealers worldwide. Specific benefits and provisions of warranty, plus other important benefits for you, are contained in your Customer Care Program book, supplied with your airplane. Warranty service is available to you at authorized Cessna Dealers throughout the world upon presentation of your Customer Care Card which establishes your eligibility under the warranty.
- FACTORY TRAINED PERSONNEL to provide you with courteous expert service.
- FACTORY APPROVED SERVICE EQUIPMENT to provide you efficient and accurate workmanship.
- A STOCK OF GENUINE CESSNA SERVICE PARTS on hand when you need them.
- THE LATEST AUTHORITATIVE INFORMATION FOR SERVICING CESSNA AIRPLANES, since Cessna Dealers have all of the Service Manuals and Parts Catalogs, kept current by Service Letters and Service News Letters, published by Cessna Aircraft Company.

We urge all Cessna owners to use the Cessna Dealer Organization to the fullest.

A current Cessna Dealer Directory accompanies your new airplane. The Directory is revised frequently, and a current copy can be obtained from your Cessna Dealer. Make your Directory one of your cross-country flight planning aids; a warm welcome awaits you at every Cessna Dealer.

TABLE OF CONTENTS

| | SECTION |
|---|---------|
| GENERAL | 1 |
| LIMITATIONS | 2 |
| EMERGENCY PROCEDURES | 3 |
| NORMAL PROCEDURES | 4 |
| PERFORMANCE | 5 |
| WEIGHT & BALANCE/ EQUIPMENT LIST | 6 |
| AIRPLANE & SYSTEMS DESCRIPTIONS | 7 |
| AIRPLANE HANDLING, SERVICE & MAINTENANCE | 8 |
| SUPPLEMENTS (Optional Systems Description & Operating Procedures) | 9 |

This handbook will be kept current by Service Letters published by Cessna Aircraft Company. These are distributed to Cessna Dealers and to those who subscribe through the Owner Follow-Up System. If you are not receiving subscription service, you will want to keep in touch with your Cessna Dealer for information concerning the change status of the handbook. Subsequent changes will be made in the form of stickers. These should be examined and attached to the appropriate page in the handbook immediately after receipt; the handbook should not be used for operational purposes until it has been updated to a current status.

SECTION 1 GENERAL

TABLE OF CONTENTS

| | Page |
|--|------|
| Three View | 1-2 |
| Introduction | 1-3 |
| Descriptive Data | 1-3 |
| Engine | 1-3 |
| Propeller | 1-3 |
| Fuel | 1-3 |
| Oil | 1-4 |
| Maximum Certificated Weights | 1-5 |
| Standard Airplane Weights | 1-5 |
| Cabin and Entry Dimensions | 1-5 |
| Baggage Space and Entry Dimensions | 1-5 |
| Specific Loadings | 1-5 |
| Symbols, Abbreviations and Terminology | 1-6 |
| General Airspeed Terminology and Symbols | 1-6 |
| Meteorological Terminology | 1-6 |
| Engine Power Terminology | 1-7 |
| Airplane Performance and Flight Planning Terminology | 1-7 |
| Weight and Balance Terminology | 1-7 |

SECTION 1
GENERAL

CESSNA
MODEL 172N

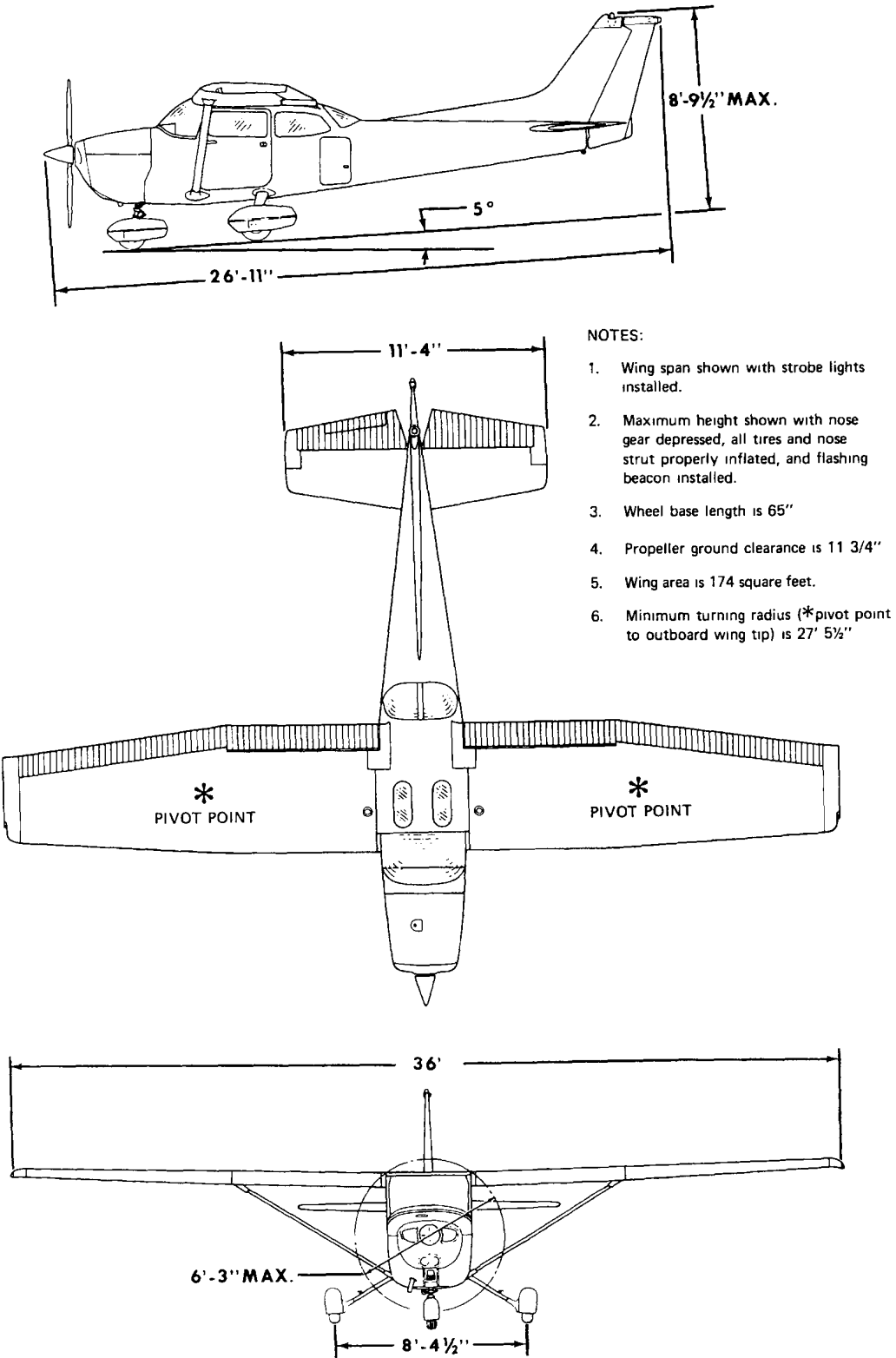


Figure 1-1. Three View

INTRODUCTION

This handbook contains 9 sections, and includes the material required to be furnished to the pilot by CAR Part 3. It also contains supplemental data supplied by Cessna Aircraft Company.

Section 1 provides basic data and information of general interest. It also contains definitions or explanations of symbols, abbreviations, and terminology commonly used.

DESCRIPTIVE DATA

ENGINE

Number of Engines: 1.

Engine Manufacturer: Avco Lycoming.

Engine Model Number: O-320-H2AD.

Engine Type: Normally-aspirated, direct-drive, air-cooled,
horizontally- opposed, carburetor equipped, four-cylinder engine
with 320 cu. in. displacement.

Horsepower Rating and Engine Speed: 160 rated BHP at 2700 RPM.

PROPELLER

Propeller Manufacturer: McCauley Accessory Division.

Propeller Model Number: 1C160/DTM7557.

Number of Blades: 2.

Propeller Diameter, Maximum: 75 inches.

Minimum: 74 inches.

Propeller Type: Fixed pitch.

FUEL

Approved Fuel Grades (and Colors):

100LL Grade Aviation Fuel (Blue).

100 (Formerly 100/130) Grade Aviation Fuel (Green).

Fuel Capacity:

Standard Tanks:

Total Capacity: 43 gallons.

Total Capacity Each Tank: 21.5 gallons.

Total Usable: 40 gallons.

Long Range Tanks:

Total Capacity: 54 gallons.

Total Capacity Each Tank: 27 gallons.

Total Usable: 50 gallons.

NOTE

To ensure maximum fuel capacity when refueling, place the fuel selector valve in either LEFT or RIGHT position to prevent cross-feeding.

OIL

Oil Grade (Specification):

MIL-L-6082 Aviation Grade Straight Mineral Oil: Use to replenish supply during first 25 hours and at the first 25-hour oil change. Continue to use until a total of 50 hours has accumulated or oil consumption has stabilized.

NOTE

The airplane was delivered from the factory with a corrosion preventive aircraft engine oil. This oil should be drained after the first 25 hours of operation.

MIL-L-22851 Ashless Dispersant Oil: This oil must be used after first 50 hours or oil consumption has stabilized.

Recommended Viscosity For Temperature Range:

MIL-L-6082 Aviation Grade Straight Mineral Oil:

SAE 50 above 16°C (60°F)

SAE 40 between -1°C (30°F) and 32°C (90°F).

SAE 30 between -18°C (0°F) and 21°C (70°F).

SAE 20 below -12°C (10°F).

MIL-L-22851 Ashless Dispersant Oil:

SAE 40 or SAE 50 above 16°C (60°F).

SAE 40 between -1°C (30°F) and 32°C (90°F).

SAE 30 or SAE 40 between -18°C (0°F) and 21°C (70°F).

SAE 30 below -12°C (10°F).

Oil Capacity:

Sump: 6 Quarts.

Total: 7 Quarts (if oil filter installed).

MAXIMUM CERTIFICATED WEIGHTS

Takeoff, Normal Category: 2300 lbs.

Utility Category: 2000 lbs.

Landing, Normal Category: 2300 lbs.

Utility Category: 2000 lbs.

Weight in Baggage Compartment, Normal Category:

Baggage Area 1 (or passenger on child's seat)-Station 82 to 108:
120 lbs. See note below.

Baggage Area 2 -Station 108 to 142: 50 lbs. See note below.

NOTE

The maximum combined weight capacity for baggage areas
1 and 2 is 120 lbs.

Weight in Baggage Compartment, Utility Category: In this category, the
baggage compartment and rear seat must not be occupied.

STANDARD AIRPLANE WEIGHTS

Standard Empty Weight, Skyhawk: 1379 lbs.

Skyhawk II: 1403 lbs.

Maximum Useful Load:

| | <u>Normal Category</u> | <u>Utility Category</u> |
|-------------|------------------------|-------------------------|
| Skyhawk: | 921 lbs. | 621 lbs. |
| Skyhawk II: | 897 lbs. | 597 lbs. |

CABIN AND ENTRY DIMENSIONS

Detailed dimensions of the cabin interior and entry door openings are
illustrated in Section 6.

BAGGAGE SPACE AND ENTRY DIMENSIONS

Dimensions of the baggage area and baggage door opening are illus-
trated in detail in Section 6.

SPECIFIC LOADINGS

Wing Loading: 13.2 lbs./sq. ft.

Power Loading: 14.4 lbs./hp.

SYMBOLS, ABBREVIATIONS AND TERMINOLOGY

GENERAL AIRSPEED TERMINOLOGY AND SYMBOLS

| | |
|-----------|--|
| KCAS | <u>Knots Calibrated Airspeed</u> is indicated airspeed corrected for position and instrument error and expressed in knots. Knots calibrated airspeed is equal to KTAS in standard atmosphere at sea level. |
| KIAS | <u>Knots Indicated Airspeed</u> is the speed shown on the airspeed indicator and expressed in knots. |
| KTAS | <u>Knots True Airspeed</u> is the airspeed expressed in knots relative to undisturbed air which is KCAS corrected for altitude and temperature. |
| V_A | <u>Maneuvering Speed</u> is the maximum speed at which you may use abrupt control travel. |
| V_{FE} | <u>Maximum Flap Extended Speed</u> is the highest speed permissible with wing flaps in a prescribed extended position. |
| V_{NO} | <u>Maximum Structural Cruising Speed</u> is the speed that should not be exceeded except in smooth air, then only with caution. |
| V_{NE} | <u>Never Exceed Speed</u> is the speed limit that may not be exceeded at any time. |
| V_S | <u>Stalling Speed or the minimum steady flight speed</u> at which the airplane is controllable. |
| V_{S_0} | <u>Stalling Speed or the minimum steady flight speed</u> at which the airplane is controllable in the landing configuration at the most forward center of gravity. |
| V_X | <u>Best Angle-of-Climb Speed</u> is the speed which results in the greatest gain of altitude in a given horizontal distance. |
| V_Y | <u>Best Rate-of-Climb Speed</u> is the speed which results in the greatest gain in altitude in a given time. |

METEOROLOGICAL TERMINOLOGY

| | |
|-----|---|
| OAT | <u>Outside Air Temperature</u> is the free air static temperature. It is expressed in either degrees Celsius (formerly Centigrade) or degrees Fahrenheit. |
|-----|---|

Standard Temperature Standard Temperature is 15°C at sea level pressure altitude and decreases by 2°C for each 1000 feet of altitude.

Pressure Altitude Pressure Altitude is the altitude read from an altimeter when the altimeter's barometric scale has been set to 29.92 inches of mercury (1013 mb).

ENGINE POWER TERMINOLOGY

BHP Brake Horsepower is the power developed by the engine.

RPM Revolutions Per Minute is engine speed.

Static RPM Static RPM is engine speed attained during a full-throttle engine runup when the airplane is on the ground and stationary.

AIRPLANE PERFORMANCE AND FLIGHT PLANNING TERMINOLOGY

Demonstrated Crosswind Velocity Demonstrated Crosswind Velocity is the velocity of the crosswind component for which adequate control of the airplane during takeoff and landing was actually demonstrated during certification tests. The value shown is not considered to be limiting.

Usable Fuel Usable Fuel is the fuel available for flight planning.

Unusable Fuel Unusable Fuel is the quantity of fuel that can not be safely used in flight.

GPH Gallons Per Hour is the amount of fuel (in gallons) consumed per hour.

NMPG Nautical Miles Per Gallon is the distance (in nautical miles) which can be expected per gallon of fuel consumed at a specific engine power setting and/or flight configuration.

g g is acceleration due to gravity.

WEIGHT AND BALANCE TERMINOLOGY

Reference Datum Reference Datum is an imaginary vertical plane from which all horizontal distances are measured for balance purposes.

Station Station is a location along the airplane fuselage given in terms of the distance from the reference datum.

| | |
|--------------------------|--|
| Arm | <u>Arm</u> is the horizontal distance from the reference datum to the center of gravity (C.G.) of an item. |
| Moment | <u>Moment</u> is the product of the weight of an item multiplied by its arm. (Moment divided by the constant 1000 is used in this handbook to simplify balance calculations by reducing the number of digits.) |
| Center of Gravity (C.G.) | <u>Center of Gravity</u> is the point at which an airplane, or equipment, would balance if suspended. Its distance from the reference datum is found by dividing the total moment by the total weight of the airplane. |
| C.G. Arm | <u>Center of Gravity Arm</u> is the arm obtained by adding the airplane's individual moments and dividing the sum by the total weight. |
| C.G. Limits | <u>Center of Gravity Limits</u> are the extreme center of gravity locations within which the airplane must be operated at a given weight. |
| Standard Empty Weight | <u>Standard Empty Weight</u> is the weight of a standard airplane, including unusable fuel, full operating fluids and full engine oil. |
| Basic Empty Weight | <u>Basic Empty Weight</u> is the standard empty weight plus the weight of optional equipment. |
| Useful Load | <u>Useful Load</u> is the difference between takeoff weight and the basic empty weight. |
| Gross (Loaded) Weight | <u>Gross (Loaded) Weight</u> is the loaded weight of the airplane. |
| Maximum Takeoff Weight | <u>Maximum Takeoff Weight</u> is the maximum weight approved for the start of the takeoff run. |
| Maximum Landing Weight | <u>Maximum Landing Weight</u> is the maximum weight approved for the landing touchdown. |
| Tare | <u>Tare</u> is the weight of chocks, blocks, stands, etc. used when weighing an airplane, and is included in the scale readings. Tare is deducted from the scale reading to obtain the actual (net) airplane weight. |

SECTION 2 LIMITATIONS

TABLE OF CONTENTS

| | Page |
|---|------|
| Introduction | 2-3 |
| Airspeed Limitations | 2-4 |
| Airspeed Indicator Markings | 2-5 |
| Power Plant Limitations | 2-5 |
| Power Plant Instrument Markings | 2-6 |
| Weight Limits | 2-6 |
| Normal Category | 2-6 |
| Utility Category | 2-7 |
| Center of Gravity Limits | 2-7 |
| Normal Category | 2-7 |
| Utility Category | 2-7 |
| Maneuver Limits | 2-7 |
| Normal Category | 2-7 |
| Utility Category | 2-7 |
| Flight Load Factor Limits | 2-8 |
| Normal Category | 2-8 |
| Utility Category | 2-8 |
| Kinds of Operation Limits | 2-9 |
| Fuel Limitations | 2-9 |
| Placards | 2-10 |

INTRODUCTION

Section 2 includes operating limitations, instrument markings, and basic placards necessary for the safe operation of the airplane, its engine, standard systems and standard equipment. The limitations included in this section have been approved by the Federal Aviation Administration. When applicable, limitations associated with optional systems or equipment are included in Section 9.

NOTE

The airspeeds listed in the Airspeed Limitations chart (figure 2-1) and the Airspeed Indicator Markings chart (figure 2-2) are based on Airspeed Calibration data shown in Section 5 with the normal static source. If the alternate static source is being used, ample margins should be observed to allow for the airspeed calibration variations between the normal and alternate static sources as shown in Section 5.

Your Cessna is certificated under FAA Type Certificate No. 3A12 as Cessna Model No. 172N.

AIRSPD LIMITATIONS

Airspeed limitations and their operational significance are shown in figure 2-1.

| | SPEED | KCAS | KIAS | REMARKS |
|-----------------|---|----------------|----------------|--|
| V _{NE} | Never Exceed Speed | 158 | 160 | Do not exceed this speed in any operation. |
| V _{NO} | Maximum Structural Cruising Speed | 126 | 128 | Do not exceed this speed except in smooth air, and then only with caution. |
| V _A | Maneuvering Speed: 2300 Pounds 1950 Pounds 1600 Pounds | 96 88 80 | 97 89 80 | Do not make full or abrupt control movements above this speed. |
| V _{FE} | Maximum Flap Extended Speed | 86 | 85 | Do not exceed this speed with flaps down. |
| | Maximum Window Open Speed | 158 | 160 | Do not exceed this speed with windows open. |

Figure 2-1. Airspeed Limitations

AIRSPED INDICATOR MARKINGS

Airspeed indicator markings and their color code significance are shown in figure 2-2.

| MARKING | KIAS VALUE OR RANGE | SIGNIFICANCE |
|------------|---------------------|--|
| White Arc | 41 - 85 | Full Flap Operating Range. Lower limit is maximum weight V_{S_0} in landing configuration. Upper limit is maximum speed permissible with flaps extended. |
| Green Arc | 47 - 128 | Normal Operating Range. Lower limit is maximum weight V_S at most forward C.G. with flaps retracted. Upper limit is maximum structural cruising speed. |
| Yellow Arc | 128 - 160 | Operations must be conducted with caution and only in smooth air. |
| Red Line | 160 | Maximum speed for all operations. |

Figure 2-2. Airspeed Indicator Markings

POWER PLANT LIMITATIONS

Engine Manufacturer: Avco Lycoming.

Engine Model Number: O-320-H2AD.

Engine Operating Limits for Takeoff and Continuous Operations:

Maximum Power: 160 BHP.

Maximum Engine Speed: 2700 RPM.

NOTE

The static RPM range at full throttle (carburetor heat off and full rich mixture) is 2280 to 2400 RPM.

Maximum Oil Temperature: 118°C (245°F)

Oil Pressure, Minimum: 25 psi.

Maximum: 100 psi.

Propeller Manufacturer: McCauley Accessory Division.

Propeller Model Number: 1C160/DTM7557.

Propeller Diameter, Maximum: 75 inches.

Minimum: 74 inches.

POWER PLANT INSTRUMENT MARKINGS

Power plant instrument markings and their color code significance are shown in figure 2-3.

| INSTRUMENT | RED LINE | GREEN ARC | YELLOW ARC | RED LINE |
|----------------------------|---------------|--------------------------------------|--------------------------------------|--------------------|
| | MINIMUM LIMIT | NORMAL OPERATING | CAUTION RANGE | MAXIMUM LIMIT |
| Tachometer | --- | 2200 - 2700 RPM | --- | 2700 RPM |
| Oil Temperature | --- | 100 ^o -245 ^o F | --- | 245 ^o F |
| Oil Pressure | 25 psi | 60-90 psi | --- | 100 psi |
| Carburetor Air Temperature | --- | --- | -15 ^o to 5 ^o C | --- |

Figure 2-3. Power Plant Instrument Markings

WEIGHT LIMITS

NORMAL CATEGORY

Maximum Takeoff Weight: 2300 lbs.

Maximum Landing Weight: 2300 lbs.

Maximum Weight in Baggage Compartment:

Baggage Area 1 (or passenger on child's seat)-Station 82 to 108:
120 lbs. See note below.

Baggage Area 2 -Station 108 to 142: 50 lbs. See note below.

NOTE

The maximum combined weight capacity for baggage areas 1 and 2 is 120 lbs.

UTILITY CATEGORY

Maximum Takeoff Weight: 2000 lbs.

Maximum Landing Weight: 2000 lbs.

Maximum Weight in Baggage Compartment: In the utility category, the baggage compartment and rear seat must not be occupied.

CENTER OF GRAVITY LIMITS

NORMAL CATEGORY

Center of Gravity Range:

Forward: 35.0 inches aft of datum at 1950 lbs. or less, with straight line variation to 38.5 inches aft of datum at 2300 lbs.

Aft: 47.3 inches aft of datum at all weights.

Reference Datum: Lower portion of front face of firewall.

UTILITY CATEGORY

Center of Gravity Range:

Forward: 35.0 inches aft of datum at 1950 lbs. or less, with straight line variation to 35.5 inches aft of datum at 2000 lbs.

Aft: 40.5 inches aft of datum at all weights.

Reference Datum: Lower portion of front face of firewall.

MANEUVER LIMITS

NORMAL CATEGORY

This airplane is certificated in both the normal and utility category. The normal category is applicable to aircraft intended for non-aerobatic operations. These include any maneuvers incidental to normal flying, stalls (except whip stalls), lazy eights, chandelles, and turns in which the angle of bank is not more than 60°. Aerobatic maneuvers, including spins, are not approved.

UTILITY CATEGORY

This airplane is not designed for purely aerobatic flight. However, in the acquisition of various certificates such as commercial pilot, instrument pilot and flight instructor, certain maneuvers are required by the FAA. All of these maneuvers are permitted in this airplane when operated in the utility category.

In the utility category, the baggage compartment and rear seat must not be occupied. No aerobatic maneuvers are approved except those listed below:

| MANEUVER | RECOMMENDED ENTRY SPEED* |
|---------------------------------------|--------------------------|
| Chandelles | 105 knots |
| Lazy Eights | 105 knots |
| Steep Turns | 95 knots |
| Spins | Slow Deceleration |
| Stalls (Except Whip Stalls) | Slow Deceleration |

*Abrupt use of the controls is prohibited above 97 knots.

Aerobatics that may impose high loads should not be attempted. The important thing to bear in mind in flight maneuvers is that the airplane is clean in aerodynamic design and will build up speed quickly with the nose down. Proper speed control is an essential requirement for execution of any maneuver, and care should always be exercised to avoid excessive speed which in turn can impose excessive loads. In the execution of all maneuvers, avoid abrupt use of controls. Intentional spins with flaps extended are prohibited.

FLIGHT LOAD FACTOR LIMITS

NORMAL CATEGORY

Flight Load Factors (Gross Weight - 2300 lbs.):

- *Flaps Up +3.8g, -1.52g
- *Flaps Down +3.0g

*The design load factors are 150% of the above, and in all cases, the structure meets or exceeds design loads.

UTILITY CATEGORY

Flight Load Factors (Gross Weight - 2000 lbs.):

- *Flaps Up +4.4g, -1.76g
- *Flaps Down +3.0g

*The design load factors are 150% of the above, and in all cases, the structure meets or exceeds design loads.

KINDS OF OPERATION LIMITS

The airplane is equipped for day VFR and may be equipped for night VFR and/or IFR operations. FAR Part 91 establishes the minimum required instrumentation and equipment for these operations. The reference to types of flight operations on the operating limitations placard reflects equipment installed at the time of Airworthiness Certificate issuance

Flight into known icing conditions is prohibited.

FUEL LIMITATIONS

2 Standard Tanks: 21.5 U.S. gallons each.

Total Fuel: 43 U.S. gallons.

Usable Fuel (all flight conditions): 40 U.S. gallons.

Unusable Fuel: 3 U.S. gallons.

2 Long Range Tanks: 27 U.S. gallons each.

Total Fuel: 54 U.S. gallons

Usable Fuel (all flight conditions): 50 U.S. gallons.

Unusable Fuel: 4 U.S. gallons.

NOTE

To ensure maximum fuel capacity when refueling, place the fuel selector valve in either LEFT or RIGHT position to prevent cross-feeding.

NOTE

Takeoff and land with the fuel selector valve handle in the BOTH position.

Approved Fuel Grades (and Colors):

100LL Grade Aviation Fuel (Blue).

100 (Formerly 100/130) Grade Aviation Fuel (Green).

PLACARDS

The following information is displayed in the form of composite or individual placards.

(1) In full view of the pilot: (The "DAY-NIGHT-VFR-IFR" entry, shown on the example below, will vary as the airplane is equipped.)

This airplane must be operated in compliance with the operating limitations as stated in the form of placards, markings, and manuals.

—————MAXIMUMS—————

| | Normal Category | Utility Category |
|-------------------------------|-----------------------|------------------|
| MANEUVERING SPEED (IAS) . . . | 97 knots | 97 knots |
| GROSS WEIGHT | 2300 lbs. | 2000 lbs. |
| FLIGHT LOAD FACTOR | | |
| Flaps Up . . . | +3.8, -1.52 | +4.4, -1.76 |
| Flaps Down . . | +3.0 | +3.0 |

Normal Category - No acrobatic maneuvers including spins approved.
Utility Category - Baggage compartment and rear seat must not be occupied.

—————NO ACROBATIC MANEUVERS APPROVED—————
EXCEPT THOSE LISTED BELOW

| <u>Maneuver</u> | <u>Recm. Entry Speed</u> | <u>Maneuver</u> | <u>Recm. Entry Speed</u> |
|-----------------------|--------------------------|-----------------|--------------------------|
| Chandelles | 105 knots | Spins | Slow Deceleration |
| Lazy Eights | 105 knots | Stalls (except | |
| Steep Turns | 95 knots | whip stalls) | Slow Deceleration |

Altitude loss in stall recovery -- 180 feet.
Abrupt use of the controls prohibited above 97 knots.
Spin Recovery: opposite rudder - forward elevator - neutralize controls. Intentional spins with flaps extended are prohibited.
Flight into known icing conditions prohibited. This airplane is certified for the following flight operations as of date of original airworthiness certificate:

DAY - NIGHT - VFR - IFR

(2) Forward of fuel selector valve:

BOTH TANKS ON FOR
TAKEOFF & LANDING

(3) On the fuel selector valve (standard tanks):

BOTH - 40 GAL. ALL FLIGHT ATTITUDES
LEFT - 20 GAL. LEVEL FLIGHT ONLY
RIGHT - 20 GAL. LEVEL FLIGHT ONLY
OFF

On the fuel selector valve (long range tanks):

BOTH - 50 GAL. ALL FLIGHT ATTITUDES
LEFT - 25 GAL. LEVEL FLIGHT ONLY
RIGHT - 25 GAL. LEVEL FLIGHT ONLY
OFF

(4) Near fuel tank filler cap (standard tanks):

FUEL
100/130 MIN. GRADE AVIATION GASOLINE
CAP. 21.5 U.S. GAL.

Near fuel tank filler cap (long range tanks):

FUEL
100/130 MIN. GRADE AVIATION GASOLINE
CAP. 27 U.S. GAL.

- (5) Near flap indicator:

AVOID SLIPS WITH FLAPS EXTENDED

- (6) In baggage compartment:

120 POUNDS MAXIMUM
BAGGAGE AND/OR AUXILIARY PASSENGER
FORWARD OF BAGGAGE DOOR LATCH

50 POUNDS MAXIMUM
BAGGAGE AFT OF BAGGAGE DOOR LATCH

MAXIMUM 120 POUNDS COMBINED

FOR ADDITIONAL LOADING INSTRUCTIONS
SEE WEIGHT AND BALANCE DATA

- (7) On the instrument panel near over-voltage light:

HIGH VOLTAGE

SECTION 3

EMERGENCY PROCEDURES

TABLE OF CONTENTS

| | Page |
|--|------|
| Introduction | 3-3 |
| Airspeeds For Emergency Operation | 3-3 |
| OPERATIONAL CHECKLISTS | |
| Engine Failures | 3-3 |
| Engine Failure During Takeoff Run | 3-3 |
| Engine Failure Immediately After Takeoff | 3-3 |
| Engine Failure During Flight | 3-4 |
| Forced Landings | 3-4 |
| Emergency Landing Without Engine Power | 3-4 |
| Precautionary Landing With Engine Power | 3-4 |
| Ditching | 3-5 |
| Fires | 3-5 |
| During Start On Ground | 3-5 |
| Engine Fire In Flight | 3-6 |
| Electrical Fire In Flight | 3-6 |
| Cabin Fire | 3-6 |
| Wing Fire | 3-7 |
| Icing | 3-7 |
| Inadvertent Icing Encounter | 3-7 |
| Static Source Blockage (Erroneous Instrument Reading Suspected) | 3-8 |
| Landing With A Flat Main Tire | 3-8 |
| Electrical Power Supply System Malfunctions | 3-8 |
| Over-Voltage Light Illuminates | 3-8 |
| Ammeter Shows Discharge | 3-8 |
| AMPLIFIED PROCEDURES | |
| Engine Failure | 3-9 |
| Forced Landings | 3-10 |

TABLE OF CONTENTS (Continued)

| | Page |
|--|------|
| Landing Without Elevator Control | 3-10 |
| Fires | 3-10 |
| Emergency Operation In Clouds (Vacuum System Failure). | 3-11 |
| Executing A 180° Turn In Clouds | 3-11 |
| Emergency Descent Through Clouds | 3-11 |
| Recovery From A Spiral Dive | 3-12 |
| Flight In Icing Conditions | 3-12 |
| Static Source Blocked | 3-12 |
| Spins | 3-13 |
| Rough Engine Operation Or Loss Of Power | 3-14 |
| Carburetor Icing | 3-14 |
| Spark Plug Fouling | 3-14 |
| Magneto Malfunction | 3-14 |
| Low Oil Pressure | 3-14 |
| Electrical Power Supply System Malfunctions | 3-15 |
| Excessive Rate Of Charge | 3-15 |
| Insufficient Rate Of Charge | 3-15 |

INTRODUCTION

Section 3 provides checklist and amplified procedures for coping with emergencies that may occur. Emergencies caused by airplane or engine malfunctions are extremely rare if proper preflight inspections and maintenance are practiced. Enroute weather emergencies can be minimized or eliminated by careful flight planning and good judgement when unexpected weather is encountered. However, should an emergency arise the basic guidelines described in this section should be considered and applied as necessary to correct the problem. Emergency procedures associated with the ELT and other optional systems can be found in Section 9.

AIRSPEEDS FOR EMERGENCY OPERATION

| | |
|---|---------|
| Engine Failure After Takeoff: | |
| Wing Flaps Up | 65 KIAS |
| Wing Flaps Down | 60 KIAS |
| Maneuvering Speed: | |
| 2300 Lbs | 97 KIAS |
| 1950 Lbs | 89 KIAS |
| 1600 Lbs | 80 KIAS |
| Maximum Glide: | |
| 2300 Lbs | 65 KIAS |
| Precautionary Landing With Engine Power | 60 KIAS |
| Landing Without Engine Power: | |
| Wing Flaps Up | 65 KIAS |
| Wing Flaps Down | 60 KIAS |

OPERATIONAL CHECKLISTS

ENGINE FAILURES

ENGINE FAILURE DURING TAKEOFF RUN

- (1) Throttle -- IDLE.
- (2) Brakes -- APPLY.
- (3) Wing Flaps -- RETRACT.
- (4) Mixture -- IDLE CUT-OFF.
- (5) Ignition Switch -- OFF.
- (6) Master Switch -- OFF.

ENGINE FAILURE IMMEDIATELY AFTER TAKEOFF

- (1) Airspeed -- 65 KIAS (flaps UP).
60 KIAS (flaps DOWN).

- (2) Mixture -- IDLE CUT-OFF.
- (3) Fuel Selector Valve -- OFF.
- (4) Ignition Switch -- OFF.
- (5) Wing Flaps -- AS REQUIRED.
- (6) Master Switch -- OFF.

ENGINE FAILURE DURING FLIGHT

- (1) Airspeed -- 65 KIAS.
- (2) Carburetor Heat -- ON.
- (3) Fuel Selector Valve -- BOTH.
- (4) Mixture -- RICH.
- (5) Ignition Switch -- BOTH (or START if propeller is stopped).
- (6) Primer -- IN and LOCKED.

FORCED LANDINGS

EMERGENCY LANDING WITHOUT ENGINE POWER

- (1) Airspeed -- 65 KIAS (flaps UP).
60 KIAS (flaps DOWN).
- (2) Mixture -- IDLE CUT-OFF.
- (3) Fuel Selector Valve -- OFF.
- (4) Ignition Switch -- OFF.
- (5) Wing Flaps -- AS REQUIRED (40° recommended).
- (6) Master Switch -- OFF.
- (7) Doors -- UNLATCH PRIOR TO TOUCHDOWN.
- (8) Touchdown -- SLIGHTLY TAIL LOW.
- (9) Brakes -- APPLY HEAVILY.

PRECAUTIONARY LANDING WITH ENGINE POWER

- (1) Wing Flaps -- 20°.
- (2) Airspeed -- 60 KIAS.
- (3) Selected Field -- FLY OVER, noting terrain and obstructions, then retract flaps upon reaching a safe altitude and airspeed.
- (4) Radio and Electrical Switches -- OFF.
- (5) Wing Flaps -- 40° (on final approach).
- (6) Airspeed -- 60 KIAS.
- (7) Master Switch -- OFF.
- (8) Doors -- UNLATCH PRIOR TO TOUCHDOWN.
- (9) Touchdown -- SLIGHTLY TAIL LOW.
- (10) Ignition Switch -- OFF.
- (11) Brakes -- APPLY HEAVILY.

DITCHING

- (1) Radio -- TRANSMIT MAYDAY on 121.5 MHz, giving location and intentions.
- (2) Heavy Objects (in baggage area) -- SECURE OR JETTISON.
- (3) Approach -- High Winds, Heavy Seas -- INTO THE WIND.
Light Winds, Heavy Swells -- PARALLEL TO SWELLS.
- (4) Wing Flaps -- 20° - 40°.
- (5) Power -- ESTABLISH 300 FT/MIN DESCENT at 55 KIAS.

NOTE

If no power is available, approach at 65 KIAS with flaps up or at 60 KIAS with 10° flaps.

- (6) Cabin Doors -- UNLATCH.
- (7) Touchdown -- LEVEL ATTITUDE AT ESTABLISHED RATE OF DESCENT.
- (8) Face -- CUSHION at touchdown with folded coat.
- (9) Airplane -- EVACUATE through cabin doors. If necessary, open window and flood cabin to equalize pressure so doors can be opened.
- (10) Life Vests and Raft -- INFLATE.

FIRES

DURING START ON GROUND

- (1) Cranking -- CONTINUE, to get a start which would suck the flames and accumulated fuel through the carburetor and into the engine.

If engine starts:

- (2) Power -- 1700 RPM for a few minutes.
- (3) Engine -- SHUTDOWN and inspect for damage.

If engine fails to start:

- (4) Throttle -- FULL OPEN.
- (5) Mixture -- IDLE CUT-OFF.
- (6) Cranking -- CONTINUE.
- (7) Fire Extinguisher -- OBTAIN (have ground attendants obtain if not installed).
- (8) Engine -- SECURE.
 - a. Master Switch -- OFF.

- b. Ignition Switch -- OFF.
- c. Fuel Selector Valve -- OFF.
- (9) Fire -- EXTINGUISH using fire extinguisher, wool blanket, or dirt.
- (10) Fire Damage -- INSPECT, repair damage or replace damaged components or wiring before conducting another flight.

ENGINE FIRE IN FLIGHT

- (1) Mixture -- IDLE CUT-OFF.
- (2) Fuel Selector Valve -- OFF.
- (3) Master Switch -- OFF.
- (4) Cabin Heat and Air -- OFF (except overhead vents).
- (5) Airspeed -- 100 KIAS (If fire is not extinguished, increase glide speed to find an airspeed which will provide an incombustible mixture).
- (6) Forced Landing -- EXECUTE (as described in Emergency Landing Without Engine Power).

ELECTRICAL FIRE IN FLIGHT

- (1) Master Switch -- OFF.
- (2) All Other Switches (except ignition switch) -- OFF.
- (3) Vents/Cabin Air/Heat -- CLOSED.
- (4) Fire Extinguisher -- ACTIVATE (if available).

WARNING

After discharging an extinguisher within a closed cabin, ventilate the cabin.

If fire appears out and electrical power is necessary for continuance of flight:

- (5) Master Switch -- ON.
- (6) Circuit Breakers -- CHECK for faulty circuit, do not reset.
- (7) Radio/Electrical Switches -- ON one at a time, with delay after each until short circuit is localized.
- (8) Vents/Cabin Air/Heat -- OPEN when it is ascertained that fire is completely extinguished.

CABIN FIRE

- (1) Master Switch -- OFF.
- (2) Vents/Cabin Air/Heat -- CLOSED (to avoid drafts).
- (3) Fire Extinguisher -- ACTIVATE (if available).

WARNING

After discharging an extinguisher within a closed cabin, ventilate the cabin.

- (4) Land the airplane as soon as possible to inspect for damage.

WING FIRE

- (1) Navigation Light Switch -- OFF.
- (2) Pitot Heat Switch (if installed) -- OFF.
- (3) Strobe Light Switch (if installed) -- OFF.

NOTE

Perform a sideslip to keep the flames away from the fuel tank and cabin, and land as soon as possible using flaps only as required for final approach and touchdown.

ICING

INADVERTENT ICING ENCOUNTER

- (1) Turn pitot heat switch ON (if installed).
- (2) Turn back or change altitude to obtain an outside air temperature that is less conducive to icing.
- (3) Pull cabin heat control full out and open defroster outlet to obtain maximum windshield defroster airflow. Adjust cabin air control to get maximum defroster heat and airflow.
- (4) Open the throttle to increase engine speed and minimize ice build-up on propeller blades.
- (5) Watch for signs of carburetor air filter ice and apply carburetor heat as required. An unexplained loss in engine speed could be caused by carburetor ice or air intake filter ice. Lean the mixture for maximum RPM if carburetor heat is used continuously.
- (6) Plan a landing at the nearest airport. With an extremely rapid ice build-up, select a suitable "off airport" landing site.
- (7) With an ice accumulation of 1/4 inch or more on the wing leading edges, be prepared for significantly higher stall speed.
- (8) Leave wing flaps retracted. With a severe ice build-up on the horizontal tail, the change in wing wake airflow direction caused by wing flap extension could result in a loss of elevator effectiveness.

- (9) Open left window and, if practical, scrape ice from a portion of the windshield for visibility in the landing approach.
- (10) Perform a landing approach using a forward slip, if necessary, for improved visibility.
- (11) Approach at 65 to 75 KIAS, depending upon the amount of the accumulation.
- (12) Perform a landing in level attitude.

STATIC SOURCE BLOCKAGE
(Erroneous Instrument Reading Suspected)

- (1) Alternate Static Source Valve -- PULL ON.
- (2) Airspeed -- Consult appropriate calibration tables in Section 5.

LANDING WITH A FLAT MAIN TIRE

- (1) Approach -- NORMAL.
- (2) Touchdown -- GOOD TIRE FIRST, hold airplane off flat tire as long as possible.

ELECTRICAL POWER SUPPLY SYSTEM MALFUNCTIONS

OVER-VOLTAGE LIGHT ILLUMINATES

- (1) Master Switch -- OFF (both sides).
- (2) Master Switch -- ON.
- (3) Over-Voltage Light -- OFF.

If over-voltage light illuminates again:

- (4) Flight -- TERMINATE as soon as possible.

AMMETER SHOWS DISCHARGE

- (1) Alternator -- OFF.
- (2) Nonessential Electrical Equipment -- OFF.
- (3) Flight -- TERMINATE as soon as practical.

AMPLIFIED PROCEDURES

ENGINE FAILURE

If an engine failure occurs during the takeoff run, the most important thing to do is stop the airplane on the remaining runway. Those extra items on the checklist will provide added safety during a failure of this type.

Prompt lowering of the nose to maintain airspeed and establish a glide attitude is the first response to an engine failure after takeoff. In most cases, the landing should be planned straight ahead with only small changes in direction to avoid obstructions. Altitude and airspeed are seldom sufficient to execute a 180° gliding turn necessary to return to the runway. The checklist procedures assume that adequate time exists to secure the fuel and ignition systems prior to touchdown.

After an engine failure in flight, the best glide speed as shown in Figure 3-1 should be established as quickly as possible. While gliding toward a suitable landing area, an effort should be made to identify the cause of the failure. If time permits, an engine restart should be attempted as shown in the checklist. If the engine cannot be restarted, a forced landing without power must be completed.

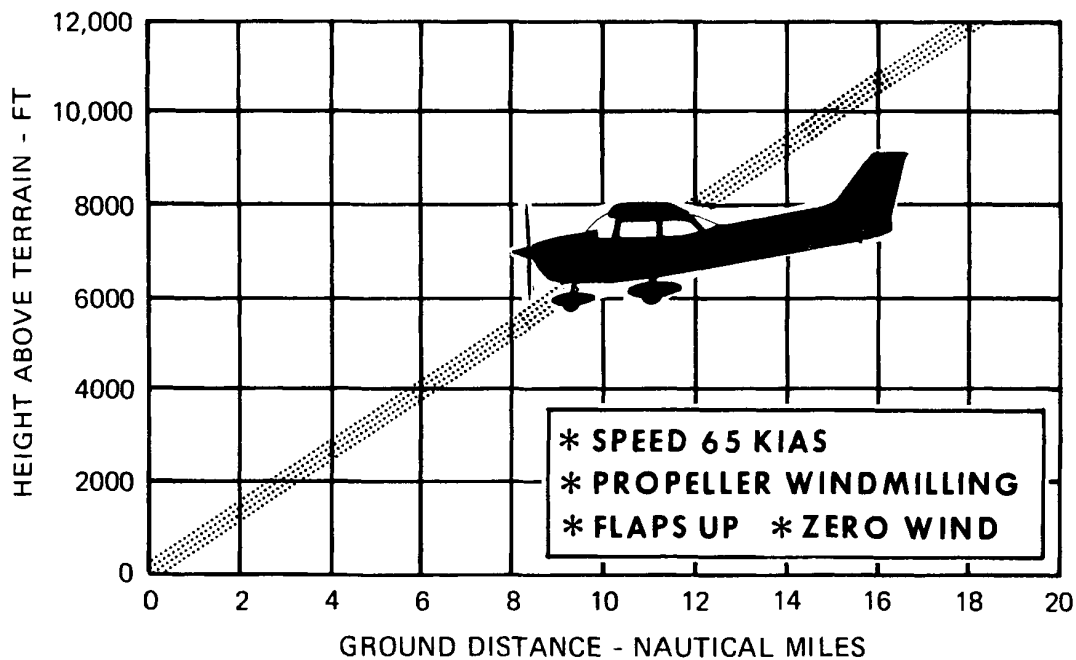


Figure 3-1. Maximum Glide

FORCED LANDINGS

If all attempts to restart the engine fail and a forced landing is imminent, select a suitable field and prepare for the landing as discussed in the checklist for engine-off emergency landings.

Before attempting an "off airport" landing with engine power available, one should drag the landing area at a safe but low altitude to inspect the terrain for obstructions and surface conditions, proceeding as discussed under the Precautionary Landing With Engine Power checklist.

Prepare for ditching by securing or jettisoning heavy objects located in the baggage area and collect folded coats for protection of occupants' face at touchdown. Transmit Mayday message on 121.5 MHz giving location and intentions. Avoid a landing flare because of difficulty in judging height over a water surface.

LANDING WITHOUT ELEVATOR CONTROL

Trim for horizontal flight (with an airspeed of approximately 60 KIAS and flaps set to 20°) by using throttle and elevator trim control. Then do not change the elevator trim control setting; control the glide angle by adjusting power exclusively.

At flareout, the nose-down moment resulting from power reduction is an adverse factor and the airplane may hit on the nose wheel. Consequently, at flareout, the elevator trim control should be adjusted toward the full nose-up position and the power adjusted so that the airplane will rotate to the horizontal attitude for touchdown. Close the throttle at touchdown.

FIRES

Although engine fires are extremely rare in flight, the steps of the appropriate checklist should be followed if one is encountered. After completion of this procedure, execute a forced landing. Do not attempt to restart the engine.

The initial indication of an electrical fire is usually the odor of burning insulation. The checklist for this problem should result in elimination of the fire.

EMERGENCY OPERATION IN CLOUDS (Vacuum System Failure)

In the event of a vacuum system failure during flight in marginal weather, the directional indicator and attitude indicator will be disabled, and the pilot will have to rely on the turn coordinator or the turn and bank indicator if he inadvertently flies into clouds. The following instructions assume that only the electrically-powered turn coordinator or the turn and bank indicator is operative, and that the pilot is not completely proficient in instrument flying.

EXECUTING A 180° TURN IN CLOUDS

Upon inadvertently entering the clouds, an immediate plan should be made to turn back as follows:

- (1) Note the time of the minute hand and observe the position of the sweep second hand on the clock.
- (2) When the sweep second hand indicates the nearest half-minute, initiate a standard rate left turn, holding the turn coordinator symbolic airplane wing opposite the lower left index mark for 60 seconds. Then roll back to level flight by leveling the miniature airplane.
- (3) Check accuracy of the turn by observing the compass heading which should be the reciprocal of the original heading.
- (4) If necessary, adjust heading primarily with skidding motions rather than rolling motions so that the compass will read more accurately.
- (5) Maintain altitude and airspeed by cautious application of elevator control. Avoid overcontrolling by keeping the hands off the control wheel as much as possible and steering only with rudder.

EMERGENCY DESCENT THROUGH CLOUDS

If conditions preclude reestablishment of VFR flight by a 180° turn, a descent through a cloud deck to VFR conditions may be appropriate. If possible, obtain radio clearance for an emergency descent through clouds. To guard against a spiral dive, choose an easterly or westerly heading to minimize compass card swings due to changing bank angles. In addition, keep hands off the control wheel and steer a straight course with rudder control by monitoring the turn coordinator. Occasionally check the compass heading and make minor corrections to hold an approximate course. Before descending into the clouds, set up a stabilized let-down condition as follows:

- (1) Apply full rich mixture.
- (2) Use full carburetor heat.

- (3) Reduce power to set up a 500 to 800 ft/min rate of descent.
- (4) Adjust the elevator trim and rudder trim (if installed) for a stabilized descent at 70-80 KIAS.
- (5) Keep hands off the control wheel.
- (6) Monitor turn coordinator and make corrections by rudder alone.
- (7) Check trend of compass card movement and make cautious corrections with rudder to stop the turn.
- (8) Upon breaking out of clouds, resume normal cruising flight.

RECOVERY FROM A SPIRAL DIVE

If a spiral is encountered, proceed as follows:

- (1) Close the throttle.
- (2) Stop the turn by using coordinated aileron and rudder control to align the symbolic airplane in the turn coordinator with the horizon reference line.
- (3) Cautiously apply elevator back pressure to slowly reduce the airspeed to 80 KIAS.
- (4) Adjust the elevator trim control to maintain an 80 KIAS glide.
- (5) Keep hands off the control wheel, using rudder control to hold a straight heading. Adjust rudder trim (if installed) to relieve unbalanced rudder force.
- (6) Apply carburetor heat.
- (7) Clear engine occasionally, but avoid using enough power to disturb the trimmed glide.
- (8) Upon breaking out of clouds, resume normal cruising flight.

FLIGHT IN ICING CONDITIONS

Flight into icing conditions is prohibited. An inadvertent encounter with these conditions can best be handled using the checklist procedures. The best procedure, of course, is to turn back or change altitude to escape icing conditions.

STATIC SOURCE BLOCKED

If erroneous readings of the static source instruments (airspeed, altimeter and rate-of-climb) are suspected, the alternate static source valve should be pulled on, thereby supplying static pressure to these instruments from the cabin.

NOTE

In an emergency on airplanes not equipped with an alternate static source, cabin pressure can be supplied to the

static pressure instruments by breaking the glass in the face of the rate-of-climb indicator.

With the alternate static source on, adjust indicated airspeed slightly during climb or approach according to the alternate static source airspeed calibration table in Section 5, appropriate to vent/window(s) configuration, causing the airplane to be flown at the normal operating speeds.

Maximum airspeed and altimeter variation from normal is 4 knots and 30 feet over the normal operating range with the window(s) closed. With window(s) open, larger variations occur near stall speed. However, maximum altimeter variation remains within 50 feet of normal.

SPINS

Should an inadvertent spin occur, the following recovery procedure should be used:

- (1) RETARD THROTTLE TO IDLE POSITION.
- (2) PLACE AILERONS IN NEUTRAL POSITION.
- (3) APPLY AND HOLD FULL RUDDER OPPOSITE TO THE DIRECTION OF ROTATION.
- (4) JUST AFTER THE RUDDER REACHES THE STOP, MOVE THE CONTROL WHEEL BRISKLY FORWARD FAR ENOUGH TO BREAK THE STALL. Full down elevator may be required at aft center of gravity loadings to assure optimum recoveries.
- (5) HOLD THESE CONTROL INPUTS UNTIL ROTATION STOPS. Premature relaxation of the control inputs may extend the recovery.
- (6) AS ROTATION STOPS, NEUTRALIZE RUDDER, AND MAKE A SMOOTH RECOVERY FROM THE RESULTING DIVE.

NOTE

If disorientation precludes a visual determination of the direction of rotation, the symbolic airplane in the turn coordinator or the needle of the turn and bank indicator may be referred to for this information.

For additional information on spins and spin recovery, see the discussion under SPINS in Normal Procedures (Section 4).

ROUGH ENGINE OPERATION OR LOSS OF POWER

CARBURETOR ICING

A gradual loss of RPM and eventual engine roughness may result from the formation of carburetor ice. To clear the ice, apply full throttle and pull the carburetor heat knob full out until the engine runs smoothly; then remove carburetor heat and readjust the throttle. If conditions require the continued use of carburetor heat in cruise flight, use the minimum amount of heat necessary to prevent ice from forming and lean the mixture for smoothest engine operation.

SPARK PLUG FOULING

A slight engine roughness in flight may be caused by one or more spark plugs becoming fouled by carbon or lead deposits. This may be verified by turning the ignition switch momentarily from BOTH to either L or R position. An obvious power loss in single ignition operation is evidence of spark plug or magneto trouble. Assuming that spark plugs are the more likely cause, lean the mixture to the recommended lean setting for cruising flight. If the problem does not clear up in several minutes, determine if a richer mixture setting will produce smoother operation. If not, proceed to the nearest airport for repairs using the BOTH position of the ignition switch unless extreme roughness dictates the use of a single ignition position.

MAGNETO MALFUNCTION

A sudden engine roughness or misfiring is usually evidence of magneto problems. Switching from BOTH to either L or R ignition switch position will identify which magneto is malfunctioning. Select different power settings and enrichen the mixture to determine if continued operation on BOTH magnetos is practicable. If not, switch to the good magneto and proceed to the nearest airport for repairs.

LOW OIL PRESSURE

If low oil pressure is accompanied by normal oil temperature, there is a possibility the oil pressure gage or relief valve is malfunctioning. A leak in the line to the gage is not necessarily cause for an immediate precautionary landing because an orifice in this line will prevent a sudden loss of oil from the engine sump. However, a landing at the nearest airport would be advisable to inspect the source of trouble.

If a total loss of oil pressure is accompanied by a rise in oil temperature, there is good reason to suspect an engine failure is imminent. Re-

duce engine power immediately and select a suitable forced landing field. Use only the minimum power required to reach the desired touchdown spot.

ELECTRICAL POWER SUPPLY SYSTEM MALFUNCTIONS

Malfunctions in the electrical power supply system can be detected by periodic monitoring of the ammeter and over-voltage warning light; however, the cause of these malfunctions is usually difficult to determine. A broken alternator drive belt or wiring is most likely the cause of alternator failures, although other factors could cause the problem. A damaged or improperly adjusted voltage regulator can also cause malfunctions. Problems of this nature constitute an electrical emergency and should be dealt with immediately. Electrical power malfunctions usually fall into two categories: excessive rate of charge and insufficient rate of charge. The following paragraphs describe the recommended remedy for each situation.

EXCESSIVE RATE OF CHARGE

After engine starting and heavy electrical usage at low engine speeds (such as extended taxiing) the battery condition will be low enough to accept above normal charging during the initial part of a flight. However, after thirty minutes of cruising flight, the ammeter should be indicating less than two needle widths of charging current. If the charging rate were to remain above this value on a long flight, the battery would overheat and evaporate the electrolyte at an excessive rate. Electronic components in the electrical system could be adversely affected by higher than normal voltage if a faulty voltage regulator setting is causing the overcharging. To preclude these possibilities, an over-voltage sensor will automatically shut down the alternator and the over-voltage warning light will illuminate if the charge voltage reaches approximately 16 volts. Assuming that the malfunction was only momentary, an attempt should be made to reactivate the alternator system. To do this, turn both sides of the master switch off and then on again. If the problem no longer exists, normal alternator charging will resume and the warning light will go off. If the light comes on again, a malfunction is confirmed. In this event, the flight should be terminated and/or the current drain on the battery minimized because the battery can supply the electrical system for only a limited period of time. If the emergency occurs at night, power must be conserved for later use of landing lights and flaps during landing.

INSUFFICIENT RATE OF CHARGE

If the ammeter indicates a continuous discharge rate in flight, the

SECTION 3
EMERGENCY PROCEDURES

CESSNA
MODEL 172N

alternator is not supplying power to the system and should be shut down since the alternator field circuit may be placing an unnecessary load on the system. All nonessential equipment should be turned off and the flight terminated as soon as practical.

SECTION 4

NORMAL PROCEDURES

TABLE OF CONTENTS

| | Page |
|---------------------------------------|------|
| Introduction | 4-3 |
| Speeds For Normal Operation | 4-3 |

CHECKLIST PROCEDURES

| | |
|-------------------------------------|-----|
| Preflight Inspection | 4-5 |
| Cabin | 4-5 |
| Empennage | 4-5 |
| Right Wing, Trailing Edge | 4-5 |
| Right Wing | 4-5 |
| Nose | 4-5 |
| Left Wing | 4-6 |
| Left Wing, Leading Edge | 4-6 |
| Left Wing, Trailing Edge | 4-6 |
| Before Starting Engine | 4-6 |
| Starting Engine | 4-6 |
| Before Takeoff | 4-7 |
| Takeoff | 4-7 |
| Normal Takeoff | 4-7 |
| Short Field Takeoff | 4-8 |
| Enroute Climb | 4-8 |
| Cruise | 4-8 |
| Descent | 4-8 |
| Before Landing | 4-8 |
| Landing | 4-9 |
| Normal Landing | 4-9 |
| Short Field Landing | 4-9 |
| Balked Landing | 4-9 |
| After Landing | 4-9 |
| Securing Airplane | 4-9 |

AMPLIFIED PROCEDURES

| | |
|---------------------------|------|
| Starting Engine | 4-11 |
|---------------------------|------|

TABLE OF CONTENTS (Continued)

| | Page |
|----------------------------------|------|
| Taxiing | 4-11 |
| Before Takeoff | 4-13 |
| Warm-Up | 4-13 |
| Magneto Check | 4-13 |
| Alternator Check | 4-13 |
| Takeoff | 4-13 |
| Power Check | 4-13 |
| Wing Flap Settings | 4-14 |
| Short Field Takeoff | 4-14 |
| Crosswind Takeoff | 4-15 |
| Enroute Climb | 4-15 |
| Cruise | 4-15 |
| Stalls | 4-17 |
| Spins | 4-17 |
| Landing | 4-19 |
| Normal Landing | 4-19 |
| Short Field Landing | 4-20 |
| Crosswind Landing | 4-20 |
| Balked Landing | 4-20 |
| Cold Weather Operation | 4-20 |
| Starting | 4-20 |
| Flight Operations | 4-22 |
| Hot Weather Operation | 4-23 |
| Noise Abatement | 4-23 |

INTRODUCTION

Section 4 provides checklist and amplified procedures for the conduct of normal operation. Normal procedures associated with Optional Systems can be found in Section 9.

SPEEDS FOR NORMAL OPERATION

Unless otherwise noted, the following speeds are based on a maximum weight of 2300 pounds and may be used for any lesser weight. However, to achieve the performance specified in Section 5 for takeoff distance, the speed appropriate to the particular weight must be used.

Takeoff, Flaps Up:

| | |
|---|------------|
| Normal Climb Out | 70-80 KIAS |
| Short Field Takeoff, Flaps Up, Speed at 50 Feet | 59 KIAS |

Enroute Climb, Flaps Up:

| | |
|--|------------|
| Normal, Sea Level | 75-85 KIAS |
| Normal, 10,000 Feet | 70-80 KIAS |
| Best Rate of Climb, Sea Level | 73 KIAS |
| Best Rate of Climb, 10,000 Feet | 68 KIAS |
| Best Angle of Climb, Sea Level | 59 KIAS |
| Best Angle of Climb, 10,000 Feet | 61 KIAS |

Landing Approach:

| | |
|---|------------|
| Normal Approach, Flaps Up | 60-70 KIAS |
| Normal Approach, Flaps 40° | 55-65 KIAS |
| Short Field Approach, Flaps 40° | 60 KIAS |

Balked Landing:

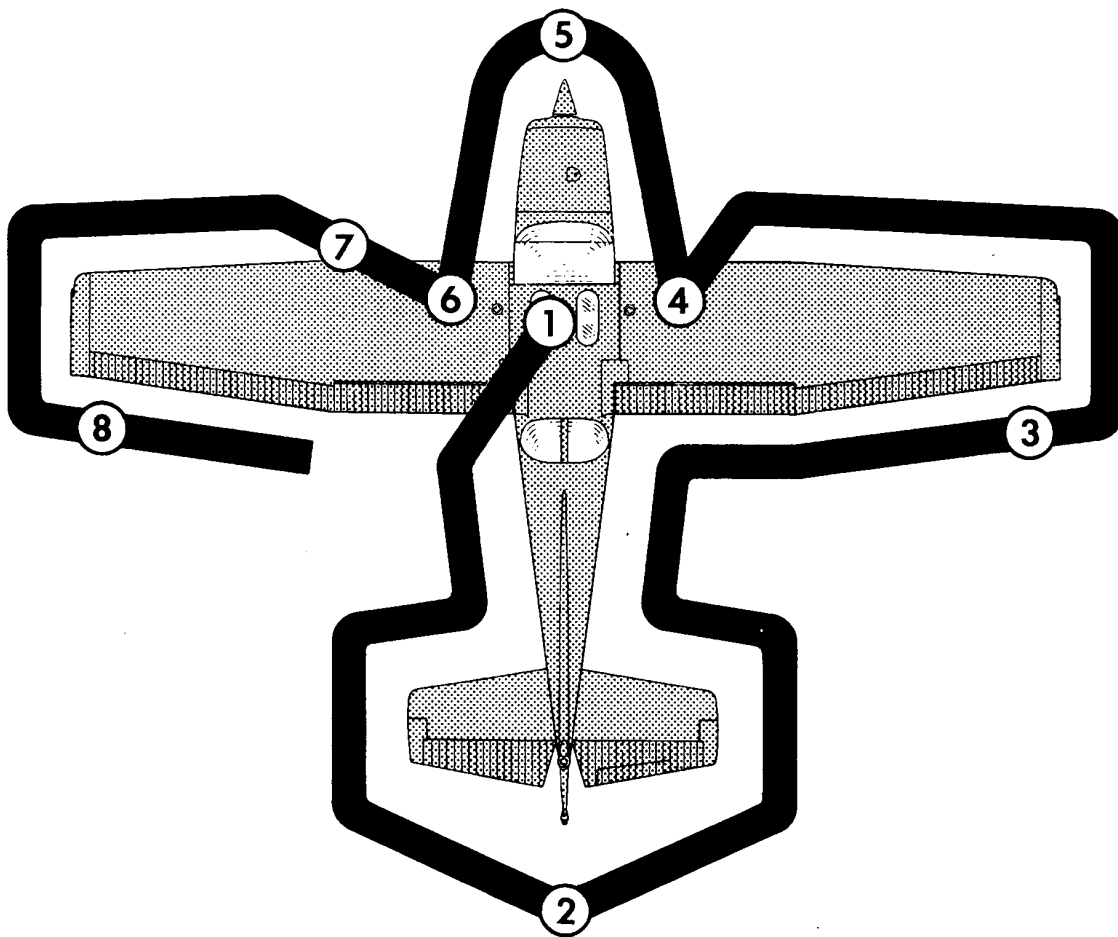
| | |
|------------------------------------|---------|
| Maximum Power, Flaps 20° | 55 KIAS |
|------------------------------------|---------|

Maximum Recommended Turbulent Air Penetration Speed:

| | |
|--------------------|---------|
| 2300 Lbs | 97 KIAS |
| 1950 Lbs | 89 KIAS |
| 1600 Lbs | 80 KIAS |

Maximum Demonstrated Crosswind Velocity:

| | |
|------------------------------|----------|
| Takeoff or Landing | 15 KNOTS |
|------------------------------|----------|



NOTE

Visually check airplane for general condition during walk-around inspection. In cold weather, remove even small accumulations of frost, ice or snow from wing, tail and control surfaces. Also, make sure that control surfaces contain no internal accumulations of ice or debris. If a night flight is planned, check operation of all lights, and make sure a flashlight is available.

Figure 4-1. Preflight Inspection

CHECKLIST PROCEDURES

PREFLIGHT INSPECTION

① CABIN

- (1) Control Wheel Lock -- REMOVE.
- (2) Ignition Switch -- OFF.
- (3) Master Switch -- ON.
- (4) Fuel Quantity Indicators -- CHECK QUANTITY.
- (5) Master Switch -- OFF.
- (6) Baggage Door -- CHECK, lock with key if child's seat is to be occupied.

② EMPENNAGE

- (1) Rudder Gust Lock -- REMOVE.
- (2) Tail Tie-Down -- DISCONNECT.
- (3) Control Surfaces -- CHECK freedom of movement and security.

③ RIGHT WING Trailing Edge

- (1) Aileron -- CHECK freedom of movement and security.

④ RIGHT WING

- (1) Wing Tie-Down -- DISCONNECT.
- (2) Main Wheel Tire -- CHECK for proper inflation.
- (3) Before first flight of the day and after each refueling, use sampler cup and drain small quantity of fuel from fuel tank sump quick-drain valve to check for water, sediment, and proper fuel grade.
- (4) Fuel Quantity -- CHECK VISUALLY for desired level.
- (5) Fuel Filler Cap -- SECURE.

⑤ NOSE

- (1) Engine Oil Level -- CHECK. Do not operate with less than four quarts. Fill to six quarts for extended flight.
- (2) Before first flight of the day and after each refueling, pull out strainer drain knob for about four seconds to clear fuel strainer of possible water and sediment. Check strainer drain closed. If water is observed, the fuel system may contain additional water, and further draining of the system at the strainer, fuel tank sumps, and

fuel selector valve drain plug will be necessary.

- (3) Propeller and Spinner -- CHECK for nicks and security.
- (4) Landing Light(s) -- CHECK for condition and cleanliness.
- (5) Carburetor Air Filter -- CHECK for restrictions by dust or other foreign matter.
- (6) Nose Wheel Strut and Tire -- CHECK for proper inflation.
- (7) Nose Tie-Down -- DISCONNECT.
- (8) Static Source Opening (left side of fuselage) -- CHECK for stoppage.

⑥ LEFT WING

- (1) Main Wheel Tire -- CHECK for proper inflation.
- (2) Before first flight of the day and after each refueling, use sampler cup and drain small quantity of fuel from fuel tank sump quick-drain valve to check for water, sediment and proper fuel grade.
- (3) Fuel Quantity -- CHECK VISUALLY for desired level.
- (4) Fuel Filler Cap -- SECURE.

⑦ LEFT WING Leading Edge

- (1) Pitot Tube Cover -- REMOVE and check opening for stoppage.
- (2) Fuel Tank Vent Opening -- CHECK for stoppage.
- (3) Stall Warning Opening -- CHECK for stoppage. To check the system, place a clean handkerchief over the vent opening and apply suction; a sound from the warning horn will confirm system operation.
- (4) Wing Tie-Down -- DISCONNECT.

⑧ LEFT WING Trailing Edge

- (1) Aileron -- CHECK for freedom of movement and security.

BEFORE STARTING ENGINE

- (1) Preflight Inspection -- COMPLETE.
- (2) Seats, Belts, Shoulder Harnesses -- ADJUST and LOCK.
- (3) Fuel Selector Valve -- BOTH.
- (4) Radios, Autopilot, Electrical Equipment -- OFF.
- (5) Brakes -- TEST and SET.
- (6) Circuit Breakers -- CHECK IN.

STARTING ENGINE

- (1) Mixture -- RICH.

- (2) Carburetor Heat -- COLD.
- (3) Master Switch -- ON.
- (4) Prime -- AS REQUIRED (2 to 6 strokes; none if engine is warm).
- (5) Throttle -- OPEN 1/8 INCH.
- (6) Propeller Area -- CLEAR.
- (7) Ignition Switch -- START (release when engine starts).
- (8) Oil Pressure -- CHECK.

BEFORE TAKEOFF

- (1) Parking Brake -- SET.
- (2) Cabin Doors and Window(s) -- CLOSED and LOCKED.
- (3) Flight Controls -- FREE and CORRECT.
- (4) Flight Instruments -- SET.
- (5) Fuel Selector Valve -- BOTH.
- (6) Mixture -- RICH (below 3000 feet).
- (7) Elevator Trim and Rudder Trim (if installed) -- TAKEOFF.
- (8) Throttle -- 1700 RPM.
 - a. Magnetos -- CHECK (RPM drop should not exceed 125 RPM on either magneto or 50 RPM differential between magnetos).
 - b. Carburetor Heat -- CHECK (for RPM drop).
 - c. Engine Instruments and Ammeter -- CHECK.
 - d. Suction Gage -- CHECK.
- (9) Radios -- SET.
- (10) Autopilot (if installed) -- OFF.
- (11) Flashing Beacon, Navigation Lights and/or Strobe Lights -- ON as required.
- (12) Throttle Friction Lock -- ADJUST.
- (13) Brakes -- RELEASE.

TAKEOFF

NORMAL TAKEOFF

- (1) Wing Flaps -- UP.
- (2) Carburetor Heat -- COLD.
- (3) Throttle -- FULL OPEN.
- (4) Elevator Control -- LIFT NOSE WHEEL (at 55 KIAS).
- (5) Climb Speed -- 70-80 KIAS.

SHORT FIELD TAKEOFF

- (1) Wing Flaps -- UP.
- (2) Carburetor Heat -- COLD.
- (3) Brakes -- APPLY.
- (4) Throttle -- FULL OPEN.
- (5) Mixture -- RICH (above 3000 feet, LEAN to obtain maximum RPM).
- (6) Brakes -- RELEASE.
- (7) Elevator Control -- SLIGHTLY TAIL LOW.
- (8) Climb Speed -- 59 KIAS (until all obstacles are cleared).

ENROUTE CLIMB

- (1) Airspeed -- 70-85 KIAS.

NOTE

If a maximum performance climb is necessary, use speeds shown in the Rate Of Climb chart in Section 5.

- (2) Throttle -- FULL OPEN.
- (3) Mixture -- RICH (above 3000 feet, LEAN to obtain maximum RPM).

CRUISE

- (1) Power -- 2200-2700 RPM (no more than 75% is recommended).
- (2) Elevator and Rudder Trim (if installed) -- ADJUST.
- (3) Mixture -- LEAN.

DESCENT

- (1) Mixture -- ADJUST for smooth operation (full rich for idle power).
- (2) Power -- AS DESIRED.
- (3) Carburetor Heat -- AS REQUIRED (to prevent carburetor icing).

BEFORE LANDING

- (1) Seats, Belts, Harnesses -- SECURE.
- (2) Fuel Selector Valve -- BOTH.

- (3) Mixture -- RICH.
- (4) Carburetor Heat -- ON (apply full heat before closing throttle).

LANDING

NORMAL LANDING

- (1) Airspeed -- 60-70 KIAS (flaps UP).
- (2) Wing Flaps -- AS DESIRED (below 85 KIAS).
- (3) Airspeed -- 55-65 KIAS (flaps DOWN).
- (4) Touchdown -- MAIN WHEELS FIRST.
- (5) Landing Roll -- LOWER NOSE WHEEL GENTLY.
- (6) Braking -- MINIMUM REQUIRED.

SHORT FIELD LANDING

- (1) Airspeed -- 60-70 KIAS (flaps UP).
- (2) Wing Flaps -- FULL DOWN (40°).
- (3) Airspeed -- 60 KIAS (until flare).
- (4) Power -- REDUCE to idle after clearing obstacle.
- (5) Touchdown -- MAIN WHEELS FIRST.
- (6) Brakes -- APPLY HEAVILY.
- (7) Wing Flaps -- RETRACT.

BALKED LANDING

- (1) Throttle -- FULL OPEN.
- (2) Carburetor Heat -- COLD.
- (3) Wing Flaps -- 20° (immediately).
- (4) Climb Speed -- 55 KIAS.
- (5) Wing Flaps -- 10° (until obstacles are cleared).
RETRACT (after reaching a safe altitude and 60 KIAS).

AFTER LANDING

- (1) Wing Flaps -- UP.
- (2) Carburetor Heat -- COLD.

SECURING AIRPLANE

- (1) Parking Brake -- SET.
- (2) Radios, Electrical Equipment, Autopilot -- OFF.

SECTION 4
NORMAL PROCEDURES

CESSNA
MODEL 172N

- (3) Mixture -- IDLE CUT-OFF (pulled full out).
- (4) Ignition Switch -- OFF.
- (5) Master Switch -- OFF.
- (6) Control Lock -- INSTALL.

AMPLIFIED PROCEDURES

STARTING ENGINE

During engine starting, open the throttle approximately 1/8 inch. In warm temperatures, one or two strokes of the primer should be sufficient. In cold weather, up to six strokes of the primer may be necessary. If the engine is warm, no priming will be required. In extremely cold temperatures, it may be necessary to continue priming while cranking the engine.

Weak intermittent firing followed by puffs of black smoke from the exhaust stack indicate overpriming or flooding. Excess fuel can be cleared from the combustion chambers by the following procedure: Set the mixture control full lean and the throttle full open; then crank the engine through several revolutions with the starter. Repeat the starting procedure without any additional priming.

If the engine is underprimed (most likely in cold weather with a cold engine) it will not fire at all, and additional priming will be necessary. As soon as the cylinders begin to fire, open the throttle slightly to keep it running.

After starting, if the oil gage does not begin to show pressure within 30 seconds in the summertime and about twice that long in very cold weather, stop engine and investigate. Lack of oil pressure can cause serious engine damage. After starting, avoid the use of carburetor heat unless icing conditions prevail.

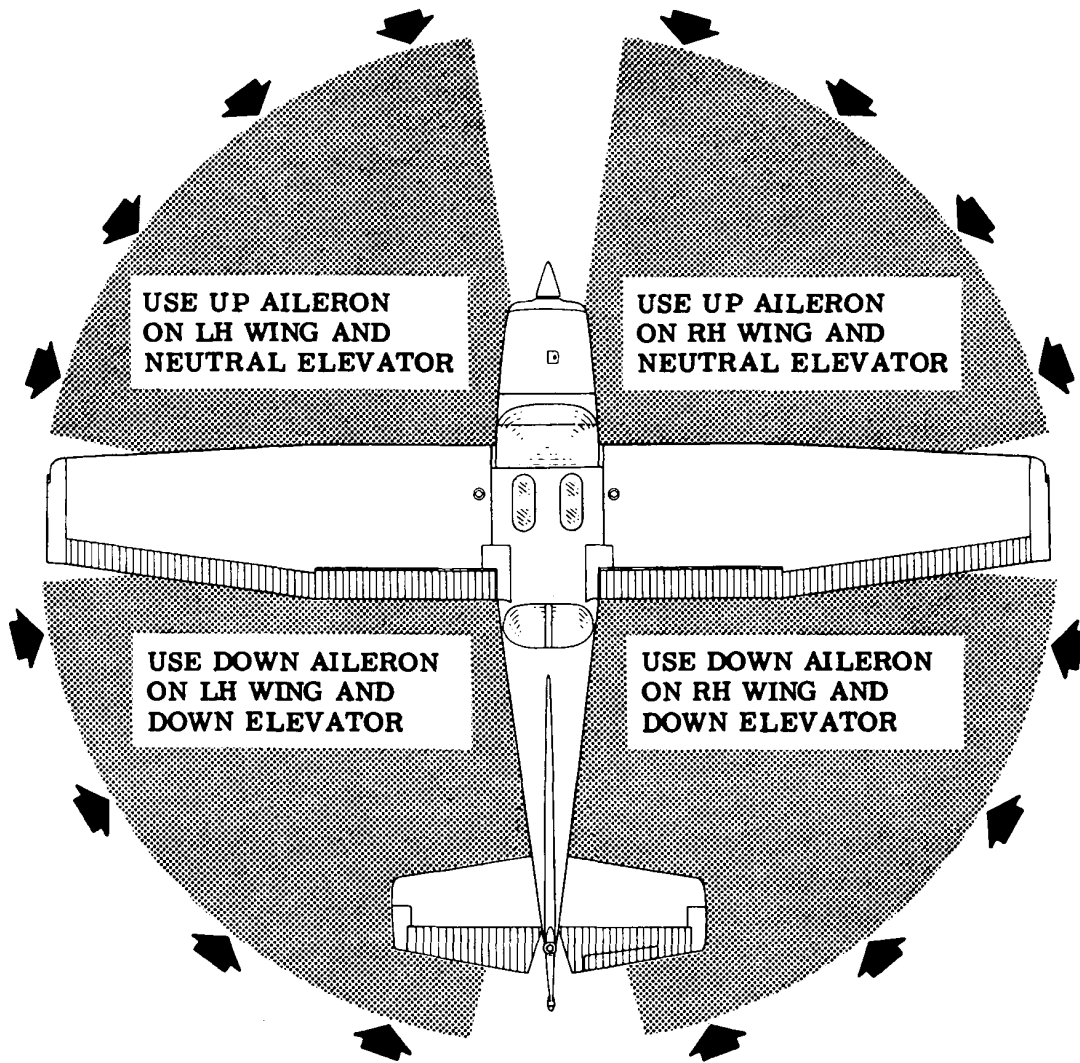
NOTE

Additional details concerning cold weather starting and operation may be found under COLD WEATHER OPERATION paragraphs in this section.

TAXIING

When taxiing, it is important that speed and use of brakes be held to a minimum and that all controls be utilized (see Taxiing Diagram, figure 4-2) to maintain directional control and balance.

The carburetor heat control knob should be pushed full in during all ground operations unless heat is absolutely necessary. When the knob is



CODE
WIND DIRECTION ➔

NOTE

Strong quartering tail winds require caution. Avoid sudden bursts of the throttle and sharp braking when the airplane is in this attitude. Use the steerable nose wheel and rudder to maintain direction.

Figure 4-2. Taxiing Diagram

pulled out to the heat position, air entering the engine is not filtered.

Taxiing over loose gravel or cinders should be done at low engine speed to avoid abrasion and stone damage to the propeller tips.

BEFORE TAKEOFF

WARM-UP

If the engine accelerates smoothly, the airplane is ready for takeoff. Since the engine is closely cowled for efficient in-flight engine cooling, precautions should be taken to avoid overheating during prolonged engine operation on the ground. Also, long periods of idling may cause fouled spark plugs.

MAGNETO CHECK

The magneto check should be made at 1700 RPM as follows. Move ignition switch first to R position and note RPM. Next move switch back to BOTH to clear the other set of plugs. Then move switch to the L position, note RPM and return the switch to the BOTH position. RPM drop should not exceed 125 RPM on either magneto or show greater than 50 RPM differential between magnetos. If there is a doubt concerning operation of the ignition system, RPM checks at higher engine speeds will usually confirm whether a deficiency exists.

An absence of RPM drop may be an indication of faulty grounding of one side of the ignition system or should be cause for suspicion that the magneto timing is set in advance of the setting specified.

ALTERNATOR CHECK

Prior to flights where verification of proper alternator and voltage regulator operation is essential (such as night or instrument flights), a positive verification can be made by loading the electrical system momentarily (3 to 5 seconds) with the optional landing light (if so equipped), or by operating the wing flaps during the engine runup (1700 RPM). The ammeter will remain within a needle width of its initial reading if the alternator and voltage regulator are operating properly.

TAKEOFF

POWER CHECK

It is important to check full-throttle engine operation early in the

takeoff run. Any sign of rough engine operation or sluggish engine acceleration is good cause for discontinuing the takeoff. If this occurs, you are justified in making a thorough full-throttle, static runup before another takeoff is attempted. The engine should run smoothly and turn approximately 2280 to 2400 RPM with carburetor heat off and mixture full rich.

NOTE

Carburetor heat should not be used during takeoff unless it is absolutely necessary for obtaining smooth engine acceleration.

Full-throttle runups over loose gravel are especially harmful to propeller tips. When takeoffs must be made over a gravel surface, it is very important that the throttle be advanced slowly. This allows the airplane to start rolling before high RPM is developed, and the gravel will be blown back of the propeller rather than pulled into it. When unavoidable small dents appear in the propeller blades, they should be immediately corrected as described in Section 8 under Propeller Care.

Prior to takeoff from fields above 3000 feet elevation, the mixture should be leaned to give maximum RPM in a full-throttle, static runup.

After full throttle is applied, adjust the throttle friction lock clockwise to prevent the throttle from creeping back from a maximum power position. Similar friction lock adjustments should be made as required in other flight conditions to maintain a fixed throttle setting.

WING FLAP SETTINGS

Normal and short field takeoffs are performed with flaps up. Flap settings greater than 10° are not approved for takeoff.

Use of 10° flaps is reserved for minimum ground runs or for takeoff from soft or rough fields. Use of 10° flaps allows safe use of slightly lower takeoff speeds than with flaps up. The lower speeds result in shortening the ground run and total distance over a 50 foot obstacle by approximately 10%. However, this advantage will be lost if flaps up speeds are used, or in high altitude takeoffs in hot weather at maximum weight where climb would be marginal with 10° flaps. Therefore, use of 10° flaps is not recommended for takeoff over an obstacle at high altitude in hot weather.

SHORT FIELD TAKEOFF

If an obstruction dictates the use of a steep climb angle, after liftoff

accelerate to and climb out at an obstacle clearance speed of 59 KIAS with flaps retracted. This speed provides the best overall climb speed to clear obstacles when taking into account the turbulence often found near ground level. The takeoff performance data provided in Section 5 is based on the flaps up configuration.

Minimum ground run takeoffs are accomplished using 10° flaps. If 10° of flaps are used on soft or rough fields with obstacles ahead, it is normally preferable to leave them extended rather than retract them in the climb to the obstacle. With 10° flaps, use an obstacle clearance speed of 55 KIAS. As soon as the obstacle is cleared, the flaps may be retracted as the airplane accelerates to the normal flaps-up climb-out speed.

CROSSWIND TAKEOFF

Takeoffs into strong crosswinds normally are performed with the minimum flap setting necessary for the field length to minimize the drift angle immediately after takeoff. The airplane is accelerated to a speed slightly higher than normal, then pulled off abruptly to prevent possible settling back to the runway while drifting. When clear of the ground, make a coordinated turn into the wind to correct for drift.

ENROUTE CLIMB

Normal climbs are performed with flaps up and full throttle and at speeds 5 to 10 knots higher than best rate-of-climb speeds for the best combination of performance, visibility and engine cooling. The mixture should be full rich below 3000 feet and may be leaned above 3000 feet for smoother operation or to obtain maximum RPM. For maximum rate of climb, use the best rate-of-climb speeds shown in the Rate-of-Climb chart in Section 5. If an obstruction dictates the use of a steep climb angle, the best angle-of-climb speed should be used with flaps up and maximum power. Climbs at speeds lower than the best rate-of-climb speed should be of short duration to improve engine cooling.

CRUISE

Normal cruising is performed between 55% and 75% power. The engine RPM and corresponding fuel consumption for various altitudes can be deter-

mined by using your Cessna Power Computer or the data in Section 5.

NOTE

Cruising should be done at 65% to 75% power until a total of 50 hours has accumulated or oil consumption has stabilized. This is to ensure proper seating of the rings and is applicable to new engines, and engines in service following cylinder replacement or top overhaul of one or more cylinders.

The Cruise Performance Table, Figure 4-3, illustrates the true air-speed and nautical miles per gallon during cruise for various altitudes and percent power. This table should be used as a guide, along with the available winds aloft information, to determine the most favorable altitude and power setting for a given trip. The selection of cruise altitude on the basis of the most favorable wind conditions and the use of low power settings are significant factors that should be considered on every trip to reduce fuel consumption.

To achieve the recommended lean mixture fuel consumption figures shown in Section 5, the mixture should be leaned until engine RPM peaks and drops 25-50 RPM. At lower powers it may be necessary to enrichen the mixture slightly to obtain smooth operation.

Should it be necessary to cruise at higher than 75% power, the mixture should not be leaned more than is required to provide peak RPM.

Carburetor ice, as evidenced by an unexplained drop in RPM, can be removed by application of full carburetor heat. Upon regaining the original RPM (with heat off), use the minimum amount of heat (by trial and

| ALTITUDE | 75% POWER | | 65% POWER | | 55% POWER | |
|---------------------|-----------|------|-----------|------|-----------|------|
| | KTAS | NMPG | KTAS | NMPG | KTAS | NMPG |
| Sea Level | 114 | 13.5 | 107 | 14.8 | 100 | 16.1 |
| 4000 Feet | 118 | 14.0 | 111 | 15.3 | 103 | 16.6 |
| 8000 Feet | 122 | 14.5 | 115 | 15.8 | 106 | 17.1 |
| Standard Conditions | | | | | Zero Wind | |

Figure 4-3. Cruise Performance Table

error) to prevent ice from forming. Since the heated air causes a richer mixture, readjust the mixture setting when carburetor heat is to be used continuously in cruise flight.

The use of full carburetor heat is recommended during flight in heavy rain to avoid the possibility of engine stoppage due to excessive water ingestion or carburetor ice. The mixture setting should be re-adjusted for smoothest operation. Power changes should be made cautiously, followed by prompt adjustment of the mixture for smoothest operation.

STALLS

The stall characteristics are conventional and aural warning is provided by a stall warning horn which sounds between 5 and 10 knots above the stall in all configurations.

Power-off stall speeds at maximum weight for both forward and aft c. g. positions are presented in Section 5.

SPINS

Intentional spins are approved in this airplane within certain restricted loadings. Spins with baggage loadings or occupied rear seat(s) are not approved.

However, before attempting to perform spins several items should be carefully considered to assure a safe flight. No spins should be attempted without first having received dual instruction both in spin entries and spin recoveries from a qualified instructor who is familiar with the spin characteristics of the Cessna 172N.

The cabin should be clean and all loose equipment (including the microphone and rear seat belts) should be stowed or secured. For a solo flight in which spins will be conducted, the copilot's seat belt and shoulder harness should also be secured. The seat belts and shoulder harnesses should be adjusted to provide proper restraint during all anticipated flight conditions. However, care should be taken to ensure that the pilot can easily reach the flight controls and produce maximum control travels.

It is recommended that, where feasible, entries be accomplished at high enough altitude that recoveries are completed 4000 feet or more above ground level. At least 1000 feet of altitude loss should be allowed for a 1- turn spin and recovery, while a 6- turn spin and recovery may require somewhat more than twice that amount. For example, the recommended entry altitude for a 6- turn spin would be 6000 feet above ground level. In any case, entries should be planned so that recoveries are completed well above the minimum 1500 feet above ground level required by FAR 91.71. Another reason for using high altitudes for practicing spins is that a greater field of view is provided which will assist in maintaining pilot orientation.

The normal entry is made from a power-off stall. As the stall is approached, the elevator control should be smoothly pulled to the full aft position. Just prior to reaching the stall "break", rudder control in the desired direction of the spin rotation should be applied so that full rudder deflection is reached almost simultaneously with reaching full aft elevator. A slightly greater rate of deceleration than for normal stall entries, application of ailerons in the direction of the desired spin, and the use of power at the entry will assure more consistent and positive entries to the spin. As the airplane begins to spin, reduce the power to idle and return the ailerons to neutral. Both elevator and rudder controls should be held full with the spin until the spin recovery is initiated. An inadvertent relaxation of either of these controls could result in the development of a nose-down spiral.

For the purpose of training in spins and spin recoveries, a 1 or 2 turn spin is adequate and should be used. Up to 2 turns, the spin will progress to a fairly rapid rate of rotation and a steep attitude. Application of recovery controls will produce prompt recoveries (within 1/4 turn). During extended spins of two to three turns or more, the spin will tend to change into a spiral, particularly to the right. This will be accompanied by an increase in airspeed and gravity loads on the airplane. If this occurs, recovery should be accomplished quickly by leveling the wings and recovering from the resulting dive.

Regardless of how many turns the spin is held or how it is entered, the following recovery technique should be used:

- (1) VERIFY THAT THROTTLE IS IN IDLE POSITION AND AILERONS ARE NEUTRAL.
- (2) APPLY AND HOLD FULL RUDDER OPPOSITE TO THE DIRECTION OF ROTATION.
- (3) JUST AFTER THE RUDDER REACHES THE STOP, MOVE THE CONTROL WHEEL BRISKLY FORWARD FAR ENOUGH TO BREAK THE STALL.

- (4) HOLD THESE CONTROL INPUTS UNTIL ROTATION STOPS.
- (5) AS ROTATION STOPS, NEUTRALIZE RUDDER, AND MAKE A SMOOTH RECOVERY FROM THE RESULTING DIVE.

NOTE

If disorientation precludes a visual determination of the direction of rotation, the symbolic airplane in the turn coordinator or the needle of the turn and bank indicator may be referred to for this information.

Variation in basic airplane rigging or in weight and balance due to installed equipment or right seat occupancy can cause differences in behavior, particularly in extended spins. These differences are normal and will result in variations in the spin characteristics and in the spiraling tendencies for spins of more than 2 turns. However, the recovery technique should always be used and will result in the most expeditious recovery from any spin.

Intentional spins with flaps extended are prohibited, since the high speeds which may occur during recovery are potentially damaging to the flap/wing structure.

LANDING

NORMAL LANDING

Normal landing approaches can be made with power-on or power-off with any flap setting desired. Surface winds and air turbulence are usually the primary factors in determining the most comfortable approach speeds. Steep slips should be avoided with flap settings greater than 20° due to a slight tendency for the elevator to oscillate under certain combinations of airspeed, sideslip angle, and center of gravity loadings.

NOTE

Carburetor heat should be applied prior to any significant reduction or closing of the throttle.

Actual touchdown should be made with power-off and on the main wheels first to reduce the landing speed and subsequent need for braking in the landing roll. The nose wheel is lowered to the runway gently after the speed has diminished to avoid unnecessary nose gear loads. This procedure is especially important in rough or soft field landings.

SHORT FIELD LANDING

For a short field landing in smooth air conditions, make an approach at the minimum recommended airspeed with full flaps using enough power to control the glide path. (Slightly higher approach speeds should be used under turbulent air conditions.) After all approach obstacles are cleared, progressively reduce power and maintain the approach speed by lowering the nose of the airplane. Touchdown should be made with power off and on the main wheels first. Immediately after touchdown, lower the nose wheel and apply heavy braking as required. For maximum brake effectiveness, retract the flaps, hold the control wheel full back, and apply maximum brake pressure without sliding the tires.

CROSSWIND LANDING

When landing in a strong crosswind, use the minimum flap setting required for the field length. If flap settings greater than 20° are used in sideslips with full rudder deflection, some elevator oscillation may be felt at normal approach speeds. However, this does not affect control of the airplane. Although the crab or combination method of drift correction may be used, the wing-low method gives the best control. After touchdown, hold a straight course with the steerable nose wheel and occasional braking if necessary.

The maximum allowable crosswind velocity is dependent upon pilot capability as well as aircraft limitations. With average pilot technique, direct crosswinds of 15 knots can be handled with safety.

BALKED LANDING

In a bailed landing (go-around) climb, reduce the wing flap setting to 20° immediately after full power is applied. If obstacles must be cleared during the go-around climb, reduce the wing flap setting to 10° and maintain a safe airspeed until the obstacles are cleared. Above 3000 feet, lean the mixture to obtain maximum RPM. After clearing any obstacles, the flaps may be retracted as the airplane accelerates to the normal flaps-up climb speed.

COLD WEATHER OPERATION

STARTING

Prior to starting on a cold morning, it is advisable to pull the propel-

ler through several times by hand to "break loose" or "limber" the oil, thus conserving battery energy.

NOTE

When pulling the propeller through by hand, treat it as if the ignition switch is turned on. A loose or broken ground wire on either magneto could cause the engine to fire.

In extremely cold (-18°C and lower) weather, the use of an external pre-heater and an external power source are recommended whenever possible to obtain positive starting and to reduce wear and abuse to the engine and electrical system. Pre-heat will thaw the oil trapped in the oil cooler, which probably will be congealed prior to starting in extremely cold temperatures. When using an external power source, the position of the master switch is important. Refer to Section 7 under Ground Service Plug Receptacle for operating details.

Cold weather starting procedures are as follows:

With Preheat:

(1) With ignition switch OFF and throttle closed, prime the engine four to eight strokes as the propeller is being turned over by hand.

NOTE

Use heavy strokes of primer for best atomization of fuel. After priming, push primer all the way in and turn to locked position to avoid possibility of engine drawing fuel through the primer.

- (2) Propeller Area -- CLEAR.
- (3) Master Switch -- ON.
- (4) Mixture -- FULL RICH.
- (5) Throttle -- OPEN 1/8 INCH.
- (6) Ignition Switch -- START.
- (7) Release ignition switch to BOTH when engine starts.
- (8) Oil Pressure -- CHECK.

Without Preheat:

(1) Prime the engine six to ten strokes while the propeller is being turned by hand with throttle closed. Leave primer charged and ready for stroke.

- (2) Propeller Area -- CLEAR.
- (3) Master Switch -- ON.
- (4) Mixture -- FULL RICH.
- (5) Ignition Switch -- START.
- (6) Pump throttle rapidly to full open twice. Return to 1/8 inch open position.
- (7) Release ignition switch to BOTH when engine starts.
- (8) Continue to prime engine until it is running smoothly, or alternately pump throttle rapidly over first 1/4 of total travel.
- (9) Oil Pressure -- CHECK.
- (10) Pull carburetor heat knob full on after engine has started. Leave on until engine is running smoothly.
- (11) Lock primer.

NOTE

If the engine does not start during the first few attempts, or if the engine firing diminishes in strength, it is probable that the spark plugs have been frosted over. Pre-heat must be used before another start is attempted.

CAUTION

Pumping the throttle may cause raw fuel to accumulate in the intake air duct, creating a fire hazard in the event of a backfire. If this occurs, maintain a cranking action to suck flames into the engine. An outside attendant with a fire extinguisher is advised for cold starts without pre-heat.

During cold weather operations, no indication will be apparent on the oil temperature gage prior to takeoff if outside air temperatures are very cold. After a suitable warm-up period (2 to 5 minutes at 1000 RPM), accelerate the engine several times to higher engine RPM. If the engine accelerates smoothly and the oil pressure remains normal and steady, the airplane is ready for takeoff.

FLIGHT OPERATIONS

Takeoff is made normally with carburetor heat off. Avoid excessive leaning in cruise.

Carburetor heat may be used to overcome any occasional engine roughness due to ice.

When operating in temperatures below -18°C, avoid using partial car-

buretor heat. Partial heat may increase the carburetor air temperature to the 0° to 21° C range, where icing is critical under certain atmospheric conditions.

HOT WEATHER OPERATION

Refer to the general warm temperature starting information under Starting Engine in this section. Avoid prolonged engine operation on the ground.

NOISE ABATEMENT

Increased emphasis on improving the quality of our environment requires renewed effort on the part of all pilots to minimize the effect of airplane noise on the public.

We, as pilots, can demonstrate our concern for environmental improvement, by application of the following suggested procedures, and thereby tend to build public support for aviation:

- (1) Pilots operating aircraft under VFR over outdoor assemblies of persons, recreational and park areas, and other noise-sensitive areas should make every effort to fly not less than 2,000 feet above the surface, weather permitting, even though flight at a lower level may be consistent with the provisions of government regulations.
- (2) During departure from or approach to an airport, climb after takeoff and descent for landing should be made so as to avoid prolonged flight at low altitude near noise-sensitive areas.

NOTE

The above recommended procedures do not apply where they would conflict with Air Traffic Control clearances or instructions, or where, in the pilot's judgement, an altitude of less than 2,000 feet is necessary for him to adequately exercise his duty to see and avoid other aircraft.

The certificated noise level for the Model 172N at 2300 pounds maximum weight is 73.8 dB(A). No determination has been made by the Federal Aviation Administration that the noise levels of this airplane are or should be acceptable or unacceptable for operation at, into, or out of, any airport.

SECTION 5 PERFORMANCE

TABLE OF CONTENTS

| | Page |
|---|------|
| Introduction | 5-3 |
| Use of Performance Charts | 5-3 |
| Sample Problem | 5-3 |
| Takeoff | 5-4 |
| Cruise | 5-5 |
| Fuel Required | 5-5 |
| Landing | 5-7 |
| Figure 5-1, Airspeed Calibration - Normal Static Source | 5-8 |
| Airspeed Calibration - Alternate Static Source | 5-9 |
| Figure 5-2, Temperature Conversion Chart | 5-10 |
| Figure 5-3, Stall Speeds | 5-11 |
| Figure 5-4, Takeoff Distance - 2300 Lbs | 5-12 |
| Takeoff Distance - 2100 Lbs and 1900 Lbs | 5-13 |
| Figure 5-5, Rate of Climb | 5-14 |
| Figure 5-6, Time, Fuel, and Distance to Climb | 5-15 |
| Figure 5-7, Cruise Performance | 5-16 |
| Figure 5-8, Range Profile - 40 Gallons Fuel | 5-17 |
| Range Profile - 50 Gallons Fuel | 5-18 |
| Figure 5-9, Endurance Profile - 40 Gallons Fuel | 5-19 |
| Endurance Profile - 50 Gallons Fuel | 5-20 |
| Figure 5-10, Landing Distance | 5-21 |

INTRODUCTION

Performance data charts on the following pages are presented so that you may know what to expect from the airplane under various conditions, and also, to facilitate the planning of flights in detail and with reasonable accuracy. The data in the charts has been computed from actual flight tests with the airplane and engine in good condition and using average piloting techniques.

It should be noted that the performance information presented in the range and endurance profile charts allows for 45 minutes reserve fuel based on 45% power. Fuel flow data for cruise is based on the recommended lean mixture setting. Some indeterminate variables such as mixture leaning technique, fuel metering characteristics, engine and propeller condition, and air turbulence may account for variations of 10% or more in range and endurance. Therefore, it is important to utilize all available information to estimate the fuel required for the particular flight.

USE OF PERFORMANCE CHARTS

Performance data is presented in tabular or graphical form to illustrate the effect of different variables. Sufficiently detailed information is provided in the tables so that conservative values can be selected and used to determine the particular performance figure with reasonable accuracy.

SAMPLE PROBLEM

The following sample flight problem utilizes information from the various charts to determine the predicted performance data for a typical flight. The following information is known:

AIRPLANE CONFIGURATION

| | |
|----------------|-------------|
| Takeoff weight | 2250 Pounds |
| Usable fuel | 40 Gallons |

TAKEOFF CONDITIONS

| | |
|-----------------------------|----------------------------|
| Field pressure altitude | 1500 Feet |
| Temperature | 28°C (16°C above standard) |
| Wind component along runway | 12 Knot Headwind |
| Field length | 3500 Feet |

CRUISE CONDITIONS

| | |
|-----------------------|----------------------------|
| Total distance | 460 Nautical Miles |
| Pressure altitude | 5500 Feet |
| Temperature | 20°C (16°C above standard) |
| Expected wind enroute | 10 Knot Headwind |

LANDING CONDITIONS

| | |
|-------------------------|-----------|
| Field pressure altitude | 2000 Feet |
| Temperature | 25°C |
| Field length | 3000 Feet |

TAKEOFF

The takeoff distance chart, figure 5-4, should be consulted, keeping in mind that the distances shown are based on the short field technique. Conservative distances can be established by reading the chart at the next higher value of weight, altitude and temperature. For example, in this particular sample problem, the takeoff distance information presented for a weight of 2300 pounds, pressure altitude of 2000 feet and a temperature of 30°C should be used and results in the following:

| | |
|--|-----------|
| Ground roll | 1075 Feet |
| Total distance to clear a 50-foot obstacle | 1915 Feet |

These distances are well within the available takeoff field length. However, a correction for the effect of wind may be made based on Note 3 of the takeoff chart. The correction for a 12 knot headwind is:

$$\frac{12 \text{ Knots}}{9 \text{ Knots}} \times 10\% = 13\% \text{ Decrease}$$

This results in the following distances, corrected for wind:

| | |
|--|------------|
| Ground roll, zero wind | 1075 |
| Decrease in ground roll (1075 feet × 13%) | <u>140</u> |
| Corrected ground roll | 935 Feet |
| | |
| Total distance to clear a 50-foot obstacle, zero wind | 1915 |
| Decrease in total distance (1915 feet × 13%) | <u>249</u> |
| Corrected total distance to clear a 50-foot obstacle | 1666 Feet |

CRUISE

The cruising altitude should be selected based on a consideration of trip length, winds aloft, and the airplane's performance. A typical cruising altitude and the expected wind enroute have been given for this sample problem. However, the power setting selection for cruise must be determined based on several considerations. These include the cruise performance characteristics presented in figure 5-7, the range profile chart presented in figure 5-8, and the endurance profile chart presented in figure 5-9.

The relationship between power and range is illustrated by the range profile chart. Considerable fuel savings and longer range result when lower power settings are used.

The range profile chart indicates that use of 65% power at 5500 feet yields a predicted range of 523 nautical miles with no wind. The endurance profile chart, figure 5-9, shows a corresponding 4.7 hours.

The range figure of 523 nautical miles is corrected to account for the expected 10 knot headwind at 5500 feet.

| | |
|---|--------------------|
| Range, zero wind | 523 |
| Decrease in range due to wind (4.7 hours × 10 knot headwind) | <u>47</u> |
| Corrected range | 476 Nautical Miles |

This indicates that the trip can be made without a fuel stop using approximately 65% power.

The cruise performance chart, figure 5-7, is entered at 6000 feet altitude and 20°C above standard temperature. These values most nearly correspond to the planned altitude and expected temperature conditions. The engine speed chosen is 2500 RPM, which results in the following:

| | |
|------------------|-----------|
| Power | 64% |
| True airspeed | 114 Knots |
| Cruise fuel flow | 7.1 GPH |

The power computer may be used to determine power and fuel consumption more accurately during the flight.

FUEL REQUIRED

The total fuel requirement for the flight may be estimated using the

performance information in figure 5-6 and 5-7. For this sample problem, figure 5-6 shows that a climb from 2000 feet to 6000 feet requires 1.3 gallons of fuel. The corresponding distance during the climb is 9 nautical miles. These values are for a standard temperature and are sufficiently accurate for most flight planning purposes. However, a further correction for the effect of temperature may be made as noted on the climb chart. The approximate effect of a non-standard temperature is to increase the time, fuel, and distance by 10% for each 10°C above standard temperature, due to the lower rate of climb. In this case, assuming a temperature 16°C above standard, the correction would be:

$$\frac{16^{\circ}\text{C}}{10^{\circ}\text{C}} \times 10\% = 16\% \text{ Increase}$$

With this factor included, the fuel estimate would be calculated as follows:

| | |
|---|-------------|
| Fuel to climb, standard temperature | 1.3 |
| Increase due to non-standard temperature (1.3 × 16%) | <u>0.2</u> |
| Corrected fuel to climb | 1.5 Gallons |

Using a similar procedure for the distance to climb results in 10 nautical miles.

The resultant cruise distance is:

| | |
|-----------------|--------------------|
| Total distance | 460 |
| Climb distance | <u>-10</u> |
| Cruise distance | 450 Nautical Miles |

With an expected 10 knot headwind, the ground speed for cruise is predicted to be:

$$\begin{array}{r} 114 \\ -10 \\ \hline 104 \text{ Knots} \end{array}$$

Therefore, the time required for the cruise portion of the trip is:

$$\frac{450 \text{ Nautical Miles}}{104 \text{ Knots}} = 4.3 \text{ Hours}$$

The fuel required for cruise is:

$$4.3 \text{ hours} \times 7.1 \text{ gallons/hour} = 30.5 \text{ Gallons}$$

The total estimated fuel required is as follows:

| | |
|---------------------------------|--------------|
| Engine start, taxi, and takeoff | 1.1 |
| Climb | 1.5 |
| Cruise | <u>30.5</u> |
| Total fuel required | 33.1 Gallons |

This will leave a fuel reserve of:

| |
|--------------|
| 40.0 |
| <u>-33.1</u> |
| 6.9 Gallons |

Once the flight is underway, ground speed checks will provide a more accurate basis for estimating the time enroute and the corresponding fuel required to complete the trip with ample reserve.

LANDING

A procedure similar to takeoff should be used for estimating the landing distance at the destination airport. Figure 5-10 presents landing distance information for the short field technique. The distances corresponding to 2000 feet and 30°C are as follows:

| | |
|--|-----------|
| Ground roll | 590 Feet |
| Total distance to clear a 50-foot obstacle | 1370 Feet |

A correction for the effect of wind may be made based on Note 2 of the landing chart using the same procedure as outlined for takeoff.

AIRSPED CALIBRATION
NORMAL STATIC SOURCE

| | | | | | | | | | | | | |
|-----------|----|----|----|----|----|----|-----|-----|-----|-----|-----|--|
| FLAPS UP | | | | | | | | | | | | |
| KIAS | 40 | 50 | 60 | 70 | 80 | 90 | 100 | 110 | 120 | 130 | 140 | |
| KCAS | 49 | 55 | 62 | 70 | 80 | 89 | 99 | 108 | 118 | 128 | 138 | |
| FLAPS 10° | | | | | | | | | | | | |
| KIAS | 40 | 50 | 60 | 70 | 80 | 85 | --- | --- | --- | --- | --- | |
| KCAS | 49 | 55 | 62 | 71 | 80 | 85 | --- | --- | --- | --- | --- | |
| FLAPS 40° | | | | | | | | | | | | |
| KIAS | 40 | 50 | 60 | 70 | 80 | 85 | --- | --- | --- | --- | --- | |
| KCAS | 47 | 54 | 62 | 71 | 81 | 86 | --- | --- | --- | --- | --- | |

Figure 5-1. Airspeed Calibration (Sheet 1 of 2)

AIRSPEED CALIBRATION ALTERNATE STATIC SOURCE

HEATER/VENTS AND WINDOWS CLOSED

| | | | | | | | | | | | |
|----------------|----|----|----|----|----|----|-----|-----|-----|-----|-----|
| FLAPS UP | | | | | | | | | | | |
| NORMAL KIAS | 40 | 50 | 60 | 70 | 80 | 90 | 100 | 110 | 120 | 130 | 140 |
| ALTERNATE KIAS | 39 | 51 | 61 | 71 | 82 | 91 | 101 | 111 | 121 | 131 | 141 |
| FLAPS 10° | | | | | | | | | | | |
| NORMAL KIAS | 40 | 50 | 60 | 70 | 80 | 85 | --- | --- | --- | --- | --- |
| ALTERNATE KIAS | 40 | 51 | 61 | 71 | 81 | 85 | --- | --- | --- | --- | --- |
| FLAPS 40° | | | | | | | | | | | |
| NORMAL KIAS | 40 | 50 | 60 | 70 | 80 | 85 | --- | --- | --- | --- | --- |
| ALTERNATE KIAS | 38 | 50 | 60 | 70 | 79 | 83 | --- | --- | --- | --- | --- |

HEATER/VENTS OPEN AND WINDOWS CLOSED

| | | | | | | | | | | | |
|----------------|----|----|----|----|----|----|-----|-----|-----|-----|-----|
| FLAPS UP | | | | | | | | | | | |
| NORMAL KIAS | 40 | 50 | 60 | 70 | 80 | 90 | 100 | 110 | 120 | 130 | 140 |
| ALTERNATE KIAS | 36 | 48 | 59 | 70 | 80 | 89 | 99 | 108 | 118 | 128 | 139 |
| FLAPS 10° | | | | | | | | | | | |
| NORMAL KIAS | 40 | 50 | 60 | 70 | 80 | 85 | --- | --- | --- | --- | --- |
| ALTERNATE KIAS | 38 | 49 | 59 | 69 | 79 | 84 | --- | --- | --- | --- | --- |
| FLAPS 40° | | | | | | | | | | | |
| NORMAL KIAS | 40 | 50 | 60 | 70 | 80 | 85 | --- | --- | --- | --- | --- |
| ALTERNATE KIAS | 34 | 47 | 57 | 67 | 77 | 81 | --- | --- | --- | --- | --- |

WINDOWS OPEN

| | | | | | | | | | | | |
|----------------|----|----|----|----|----|----|-----|-----|-----|-----|-----|
| FLAPS UP | | | | | | | | | | | |
| NORMAL KIAS | 40 | 50 | 60 | 70 | 80 | 90 | 100 | 110 | 120 | 130 | 140 |
| ALTERNATE KIAS | 26 | 43 | 57 | 70 | 82 | 93 | 103 | 113 | 123 | 133 | 143 |
| FLAPS 10° | | | | | | | | | | | |
| NORMAL KIAS | 40 | 50 | 60 | 70 | 80 | 85 | --- | --- | --- | --- | --- |
| ALTERNATE KIAS | 25 | 43 | 57 | 69 | 80 | 85 | --- | --- | --- | --- | --- |
| FLAPS 40° | | | | | | | | | | | |
| NORMAL KIAS | 40 | 50 | 60 | 70 | 80 | 85 | --- | --- | --- | --- | --- |
| ALTERNATE KIAS | 25 | 41 | 54 | 67 | 78 | 84 | --- | --- | --- | --- | --- |

Figure 5-1. Airspeed Calibration (Sheet 2 of 2)

TEMPERATURE CONVERSION CHART

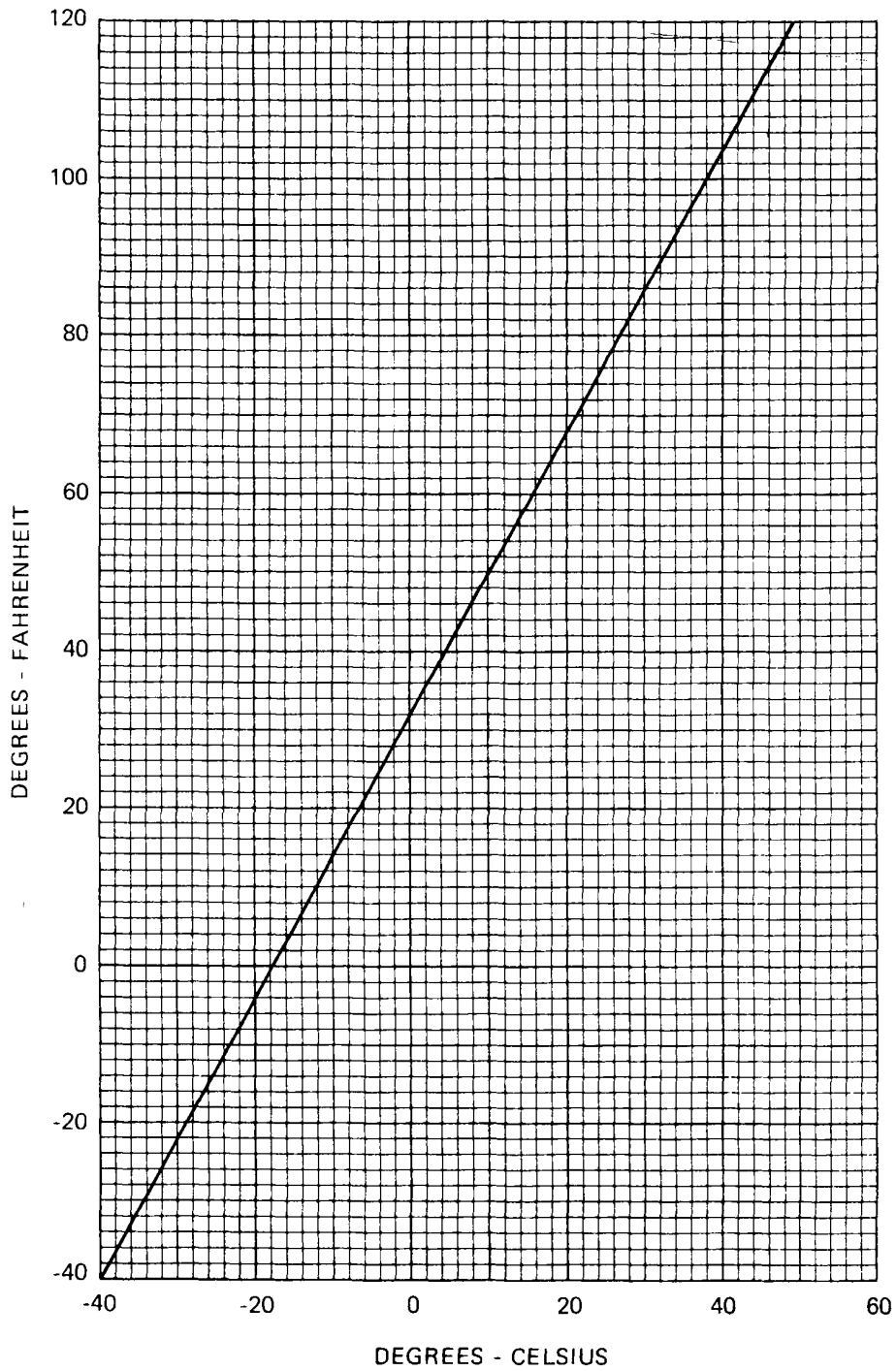


Figure 5-2. Temperature Conversion Chart

STALL SPEEDS

CONDITIONS:
Power Off

NOTES:

1. Maximum altitude loss during a stall recovery may be as much as 180 feet.
2. KIAS values are approximate.

MOST REARWARD CENTER OF GRAVITY

| WEIGHT LBS | FLAP DEFLECTION | ANGLE OF BANK | | | | | | | |
|---------------|--------------------|---------------|------|------|------|------|------|------|------|
| | | 0° | | 30° | | 45° | | 60° | |
| | | KIAS | KCAS | KIAS | KCAS | KIAS | KCAS | KIAS | KCAS |
| 2300 | UP | 42 | 50 | 45 | 54 | 50 | 59 | 59 | 71 |
| | 10° | 38 | 47 | 40 | 51 | 45 | 56 | 54 | 66 |
| | 40° | 36 | 44 | 38 | 47 | 43 | 52 | 51 | 62 |

MOST FORWARD CENTER OF GRAVITY

| WEIGHT LBS | FLAP DEFLECTION | ANGLE OF BANK | | | | | | | |
|---------------|--------------------|---------------|------|------|------|------|------|------|------|
| | | 0° | | 30° | | 45° | | 60° | |
| | | KIAS | KCAS | KIAS | KCAS | KIAS | KCAS | KIAS | KCAS |
| 2300 | UP | 47 | 53 | 51 | 57 | 56 | 63 | 66 | 75 |
| | 10° | 44 | 51 | 47 | 55 | 52 | 61 | 62 | 72 |
| | 40° | 41 | 47 | 44 | 51 | 49 | 56 | 58 | 66 |

Figure 5-3. Stall Speeds

TAKEOFF DISTANCE
MAXIMUM WEIGHT 2300 LBS

SHORT FIELD

CONDITIONS:

Flaps Up
Full Throttle Prior to Brake Release
Paved, Level, Dry Runway
Zero Wind

NOTES:

1. Short field technique as specified in Section 4.
2. Prior to takeoff from fields above 3000 feet elevation, the mixture should be leaned to give maximum RPM in a full throttle, static runup.
3. Decrease distances 10% for each 9 knots headwind. For operation with tailwinds up to 10 knots, increase distances by 10% for each 2 knots.
4. For operation on a dry, grass runway, increase distances by 15% of the "ground roll" figure.

| WEIGHT LBS | TAKEOFF SPEED KIAS | | PRESS ALT FT | 0°C | | | 10°C | | | 20°C | | | 30°C | | | 40°C | | |
|---------------|--------------------------|-------------|--------------------|--------------|--------------------------------|--------------|--------------------------------|--------------|--------------------------------|--------------|--------------------------------|--------------|--------------------------------|--------------|--------------------------------|--------------|--------------------------------|--|
| | LIFT OFF | AT 50 FT | | GRND ROLL | TOTAL TO CLEAR 50 FT OBS | GRND ROLL | TOTAL TO CLEAR 50 FT OBS | GRND ROLL | TOTAL TO CLEAR 50 FT OBS | GRND ROLL | TOTAL TO CLEAR 50 FT OBS | GRND ROLL | TOTAL TO CLEAR 50 FT OBS | GRND ROLL | TOTAL TO CLEAR 50 FT OBS | GRND ROLL | TOTAL TO CLEAR 50 FT OBS | |
| 2300 | 52 | 59 | S.L. | 720 | 1300 | 775 | 1390 | 835 | 1490 | 895 | 1590 | 960 | 1700 | 895 | 1590 | 960 | 1700 | |
| | | | 1000 | 790 | 1420 | 850 | 1525 | 915 | 1630 | 980 | 1745 | 1050 | 1865 | 980 | 1745 | 1050 | 1865 | |
| | | | 2000 | 865 | 1555 | 930 | 1670 | 1000 | 1790 | 1075 | 1915 | 1155 | 2055 | 1075 | 1915 | 1155 | 2055 | |
| | | | 3000 | 950 | 1710 | 1025 | 1835 | 1100 | 1970 | 1185 | 2115 | 1270 | 2265 | 1185 | 2115 | 1270 | 2265 | |
| | | | 4000 | 1045 | 1880 | 1125 | 2025 | 1210 | 2175 | 1300 | 2335 | 1400 | 2510 | 1300 | 2335 | 1400 | 2510 | |
| | | | 5000 | 1150 | 2075 | 1240 | 2240 | 1335 | 2410 | 1435 | 2595 | 1540 | 2795 | 1435 | 2595 | 1540 | 2795 | |
| | | | 6000 | 1265 | 2305 | 1365 | 2485 | 1475 | 2680 | 1585 | 2895 | 1705 | 3125 | 1585 | 2895 | 1705 | 3125 | |
| | | | 7000 | 1400 | 2565 | 1510 | 2770 | 1630 | 3000 | 1755 | 3245 | 1890 | 3515 | 1755 | 3245 | 1890 | 3515 | |
| | | | 8000 | 1550 | 2870 | 1675 | 3110 | 1805 | 3375 | 1945 | 3670 | 2095 | 3990 | 1945 | 3670 | 2095 | 3990 | |

Figure 5-4. Takeoff Distance (Sheet 1 of 2)

TAKEOFF DISTANCE
2100 LBS AND 1900 LBS

SHORT FIELD

REFER TO SHEET 1 FOR APPROPRIATE CONDITIONS AND NOTES.

| WEIGHT LBS | TAKEOFF SPEED KIAS | | PRESS ALT FT | 0°C | | 10°C | | 20°C | | 30°C | | 40°C | |
|---------------|--------------------------|-------------|--------------------|--------------|--------------------------------|--------------|--------------------------------|--------------|--------------------------------|--------------|--------------------------------|--------------|--------------------------------|
| | LIFT OFF | AT 50 FT | | GRND ROLL | TOTAL TO CLEAR 50 FT OBS | GRND ROLL | TOTAL TO CLEAR 50 FT OBS | GRND ROLL | TOTAL TO CLEAR 50 FT OBS | GRND ROLL | TOTAL TO CLEAR 50 FT OBS | GRND ROLL | TOTAL TO CLEAR 50 FT OBS |
| 2100 | 50 | 56 | S.L. | 585 | 1070 | 630 | 1140 | 680 | 1220 | 725 | 1300 | 780 | 1390 |
| | | | 1000 | 640 | 1165 | 690 | 1245 | 740 | 1330 | 795 | 1420 | 850 | 1520 |
| | | | 2000 | 700 | 1270 | 755 | 1360 | 810 | 1455 | 870 | 1555 | 935 | 1665 |
| | | | 3000 | 770 | 1390 | 830 | 1490 | 890 | 1595 | 955 | 1710 | 1025 | 1830 |
| | | | 4000 | 845 | 1525 | 910 | 1640 | 980 | 1755 | 1050 | 1880 | 1130 | 2015 |
| | | | 5000 | 930 | 1680 | 1000 | 1805 | 1075 | 1935 | 1155 | 2075 | 1240 | 2230 |
| | | | 6000 | 1025 | 1850 | 1100 | 1990 | 1185 | 2140 | 1275 | 2300 | 1370 | 2475 |
| | | | 7000 | 1130 | 2050 | 1215 | 2210 | 1310 | 2380 | 1410 | 2560 | 1515 | 2755 |
| 8000 | 1245 | 2275 | 1345 | 2460 | 1450 | 2655 | 1560 | 2865 | 1680 | 3090 | | | |
| 1900 | 47 | 54 | S.L. | 470 | 865 | 505 | 920 | 540 | 985 | 580 | 1045 | 620 | 1115 |
| | | | 1000 | 515 | 940 | 550 | 1005 | 590 | 1070 | 635 | 1140 | 680 | 1215 |
| | | | 2000 | 560 | 1025 | 605 | 1095 | 645 | 1170 | 695 | 1245 | 745 | 1330 |
| | | | 3000 | 615 | 1115 | 660 | 1195 | 710 | 1275 | 760 | 1365 | 815 | 1455 |
| | | | 4000 | 670 | 1220 | 725 | 1305 | 780 | 1400 | 835 | 1495 | 895 | 1595 |
| | | | 5000 | 740 | 1340 | 795 | 1435 | 855 | 1535 | 920 | 1640 | 985 | 1755 |
| | | | 6000 | 810 | 1470 | 875 | 1575 | 940 | 1690 | 1010 | 1810 | 1085 | 1940 |
| | | | 7000 | 895 | 1620 | 965 | 1740 | 1035 | 1865 | 1115 | 2000 | 1195 | 2145 |
| 8000 | 985 | 1790 | 1065 | 1925 | 1145 | 2065 | 1230 | 2220 | 1320 | 2385 | | | |

Figure 5-4. Takeoff Distance (Sheet 2 of 2)

RATE OF CLIMB

MAXIMUM

CONDITIONS:

Flaps Up
Full Throttle

NOTE:

Mixture leaned above 3000 feet for maximum RPM.

| WEIGHT LBS | PRESS ALT FT | CLIMB SPEED KIAS | RATE OF CLIMB - FPM | | | |
|---------------|--------------------|------------------------|---------------------|-----|------|------|
| | | | -20°C | 0°C | 20°C | 40°C |
| 2300 | S.L. | 73 | 875 | 815 | 755 | 695 |
| | 2000 | 72 | 765 | 705 | 650 | 590 |
| | 4000 | 71 | 655 | 600 | 545 | 485 |
| | 6000 | 70 | 545 | 495 | 440 | 385 |
| | 8000 | 69 | 440 | 390 | 335 | 280 |
| | 10,000 | 68 | 335 | 285 | 230 | --- |
| | 12,000 | 67 | 230 | 180 | --- | --- |

Figure 5-5. Rate of Climb

TIME, FUEL, AND DISTANCE TO CLIMB

MAXIMUM RATE OF CLIMB

CONDITIONS:

Flaps Up
Full Throttle
Standard Temperature

NOTES:

1. Add 1.1 gallons of fuel for engine start, taxi and takeoff allowance.
2. Mixture leaned above 3000 feet for maximum RPM.
3. Increase time, fuel and distance by 10% for each 10°C above standard temperature.
4. Distances shown are based on zero wind.

| WEIGHT LBS | PRESSURE ALTITUDE FT | TEMP °C | CLIMB SPEED KIAS | RATE OF CLIMB FPM | FROM SEA LEVEL | | |
|---------------|----------------------------|------------|------------------------|-------------------------|----------------|----------------------|----------------|
| | | | | | TIME MIN | FUEL USED GALLONS | DISTANCE NM |
| 2300 | S.L. | 15 | 73 | 770 | 0 | 0.0 | 0 |
| | 1000 | 13 | 73 | 725 | 1 | 0.3 | 2 |
| | 2000 | 11 | 72 | 675 | 3 | 0.6 | 3 |
| | 3000 | 9 | 72 | 630 | 4 | 0.9 | 5 |
| | 4000 | 7 | 71 | 580 | 6 | 1.2 | 8 |
| | 5000 | 5 | 71 | 535 | 8 | 1.6 | 10 |
| | 6000 | 3 | 70 | 485 | 10 | 1.9 | 12 |
| | 7000 | 1 | 69 | 440 | 12 | 2.3 | 15 |
| | 8000 | -1 | 69 | 390 | 15 | 2.7 | 19 |
| | 9000 | -3 | 68 | 345 | 17 | 3.2 | 22 |
| | 10,000 | -5 | 68 | 295 | 21 | 3.7 | 27 |
| | 11,000 | -7 | 67 | 250 | 24 | 4.2 | 32 |
| | 12,000 | -9 | 67 | 200 | 29 | 4.9 | 38 |

Figure 5-6. Time, Fuel, and Distance to Climb

CRUISE PERFORMANCE

CONDITIONS:
2300 Pounds
Recommended Lean Mixture

| PRESSURE ALTITUDE FT | RPM | 20°C BELOW STANDARD TEMP | | | STANDARD TEMPERATURE | | | 20°C ABOVE STANDARD TEMP | | |
|----------------------|------|--------------------------|------|-----|----------------------|------|-----|--------------------------|------|-----|
| | | % BHP | KTAS | GPH | % BHP | KTAS | GPH | % BHP | KTAS | GPH |
| 2000 | 2500 | --- | --- | --- | 75 | 116 | 8.4 | 71 | 115 | 7.9 |
| | 2400 | 72 | 111 | 8.0 | 67 | 111 | 7.5 | 63 | 110 | 7.1 |
| | 2300 | 64 | 106 | 7.1 | 60 | 105 | 6.7 | 56 | 105 | 6.3 |
| | 2200 | 56 | 101 | 6.3 | 53 | 100 | 6.1 | 50 | 99 | 5.8 |
| | 2100 | 50 | 95 | 5.8 | 47 | 94 | 5.6 | 45 | 93 | 5.4 |
| 4000 | 2550 | --- | --- | --- | 75 | 118 | 8.4 | 71 | 118 | 7.9 |
| | 2500 | 76 | 116 | 8.5 | 71 | 115 | 8.0 | 67 | 115 | 7.5 |
| | 2400 | 68 | 111 | 7.6 | 64 | 110 | 7.1 | 60 | 109 | 6.7 |
| | 2300 | 60 | 105 | 6.8 | 57 | 105 | 6.4 | 54 | 104 | 6.1 |
| | 2200 | 54 | 100 | 6.1 | 51 | 99 | 5.9 | 48 | 98 | 5.7 |
| | 2100 | 48 | 94 | 5.6 | 46 | 93 | 5.5 | 44 | 92 | 5.3 |
| 6000 | 2600 | --- | --- | --- | 75 | 120 | 8.4 | 71 | 120 | 7.9 |
| | 2500 | 72 | 116 | 8.1 | 67 | 115 | 7.6 | 64 | 114 | 7.1 |
| | 2400 | 64 | 110 | 7.2 | 60 | 109 | 6.8 | 57 | 109 | 6.4 |
| | 2300 | 57 | 105 | 6.5 | 54 | 104 | 6.2 | 52 | 103 | 5.9 |
| | 2200 | 51 | 99 | 5.9 | 49 | 98 | 5.7 | 47 | 97 | 5.5 |
| | 2100 | 46 | 93 | 5.5 | 44 | 92 | 5.4 | 42 | 91 | 5.2 |
| 8000 | 2650 | --- | --- | --- | 75 | 122 | 8.4 | 71 | 122 | 7.9 |
| | 2600 | 76 | 120 | 8.6 | 71 | 120 | 8.0 | 67 | 119 | 7.5 |
| | 2500 | 68 | 115 | 7.7 | 64 | 114 | 7.2 | 60 | 113 | 6.8 |
| | 2400 | 61 | 110 | 6.9 | 58 | 109 | 6.5 | 55 | 108 | 6.2 |
| | 2300 | 55 | 104 | 6.2 | 52 | 103 | 6.0 | 50 | 102 | 5.8 |
| | 2200 | 49 | 98 | 5.7 | 47 | 97 | 5.5 | 45 | 96 | 5.4 |
| 10,000 | 2650 | 76 | 122 | 8.5 | 71 | 122 | 8.0 | 67 | 121 | 7.5 |
| | 2600 | 72 | 120 | 8.1 | 68 | 119 | 7.6 | 64 | 118 | 7.1 |
| | 2500 | 65 | 114 | 7.3 | 61 | 114 | 6.8 | 58 | 112 | 6.5 |
| | 2400 | 58 | 109 | 6.5 | 55 | 108 | 6.2 | 52 | 107 | 6.0 |
| | 2300 | 52 | 103 | 6.0 | 50 | 102 | 5.8 | 48 | 101 | 5.6 |
| | 2200 | 47 | 97 | 5.6 | 45 | 96 | 5.4 | 44 | 95 | 5.3 |
| 12,000 | 2600 | 68 | 119 | 7.7 | 64 | 118 | 7.2 | 61 | 117 | 6.8 |
| | 2500 | 62 | 114 | 6.9 | 58 | 113 | 6.5 | 55 | 111 | 6.2 |
| | 2400 | 56 | 108 | 6.3 | 53 | 107 | 6.0 | 51 | 106 | 5.8 |
| | 2300 | 50 | 102 | 5.8 | 48 | 101 | 5.6 | 46 | 100 | 5.5 |
| | 2200 | 46 | 96 | 5.5 | 44 | 95 | 5.4 | 43 | 94 | 5.3 |

Figure 5-7. Cruise Performance

RANGE PROFILE 45 MINUTES RESERVE 40 GALLONS USABLE FUEL

CONDITIONS:

2300 Pounds
Recommended Lean Mixture for Cruise
Standard Temperature
Zero Wind

NOTES.

1. This chart allows for the fuel used for engine start, taxi, takeoff and climb, and the distance during climb as shown in figure 5-6.
2. Reserve fuel is based on 45 minutes at 45% BHP and is 4.1 gallons.

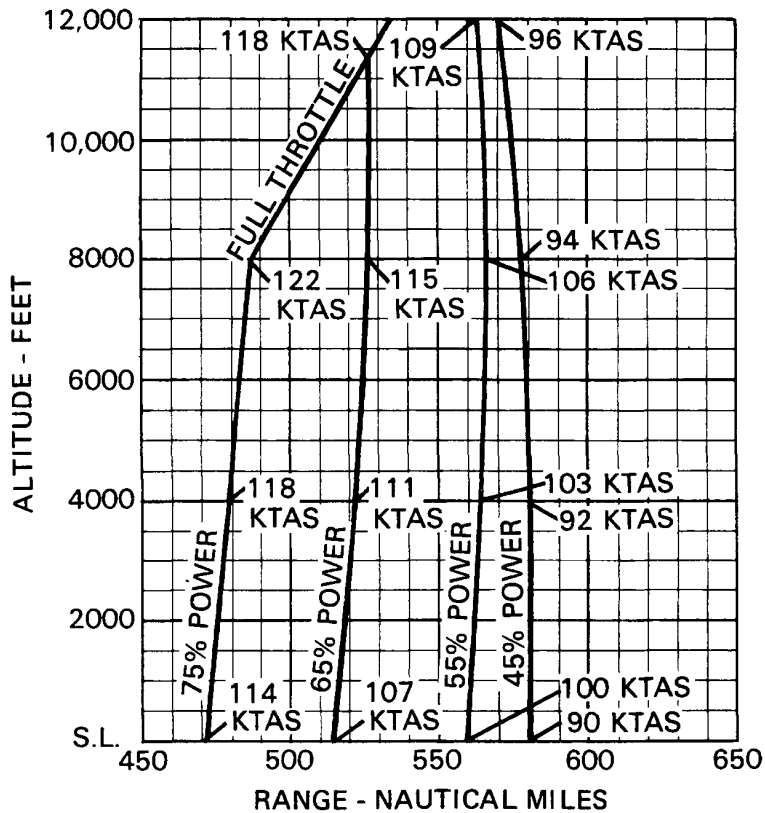


Figure 5-8. Range Profile (Sheet 1 of 2)

**RANGE PROFILE
45 MINUTES RESERVE
50 GALLONS USABLE FUEL**

CONDITIONS.

2300 Pounds
Recommended Lean Mixture for Cruise
Standard Temperature
Zero Wind

NOTES.

1. This chart allows for the fuel used for engine start, taxi, takeoff and climb, and the distance during climb as shown in figure 5-6.
2. Reserve fuel is based on 45 minutes at 45% BHP and is 4.1 gallons.

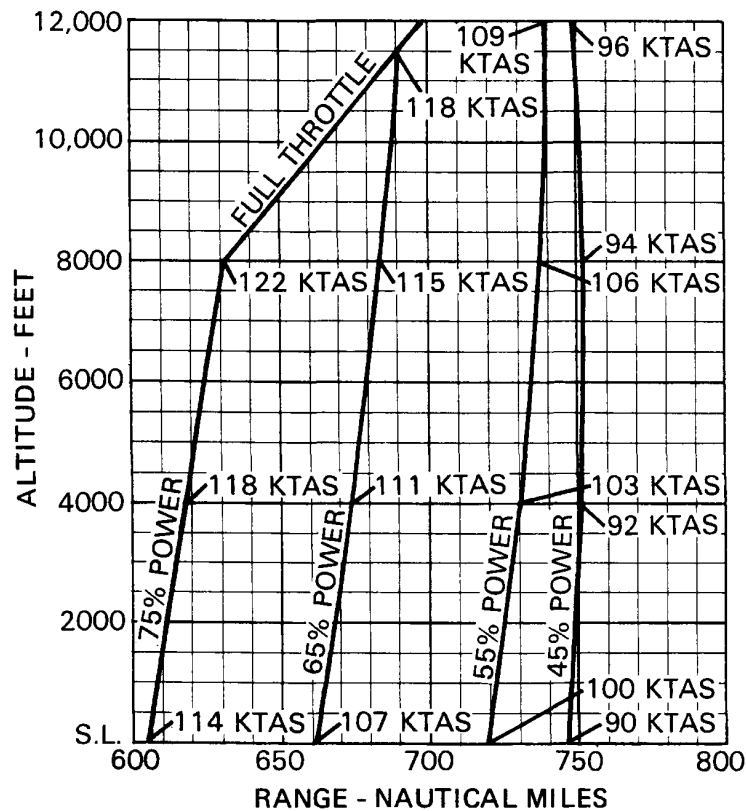


Figure 5-8. Range Profile (Sheet 2 of 2)

ENDURANCE PROFILE 45 MINUTES RESERVE 40 GALLONS USABLE FUEL

CONDITIONS:

2300 Pounds

Recommended Lean Mixture for Cruise

Standard Temperature

NOTES:

- 1 This chart allows for the fuel used for engine start, taxi, takeoff and climb, and the time during climb as shown in figure 5-6.
2. Reserve fuel is based on 45 minutes at 45% BHP and is 4.1 gallons.

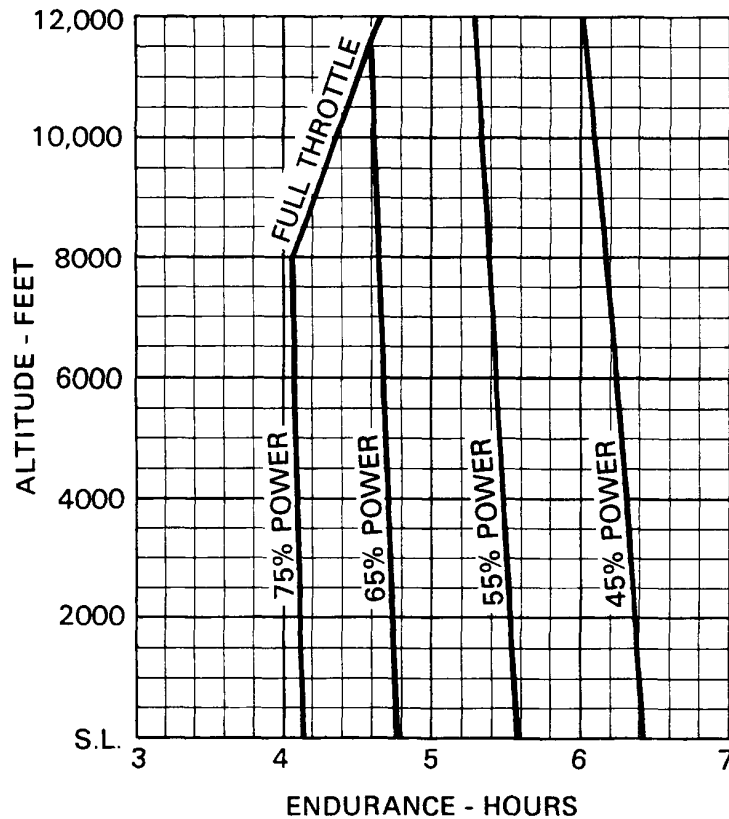


Figure 5-9. Endurance Profile (Sheet 1 of 2)

ENDURANCE PROFILE 45 MINUTES RESERVE 50 GALLONS USABLE FUEL

CONDITIONS.
2300 Pounds
Recommended Lean Mixture for Cruise
Standard Temperature

- NOTES:
- 1 This chart allows for the fuel used for engine start, taxi, takeoff and climb, and the time during climb as shown in figure 5-6.
 - 2 Reserve fuel is based on 45 minutes at 45% BHP and is 4.1 gallons.

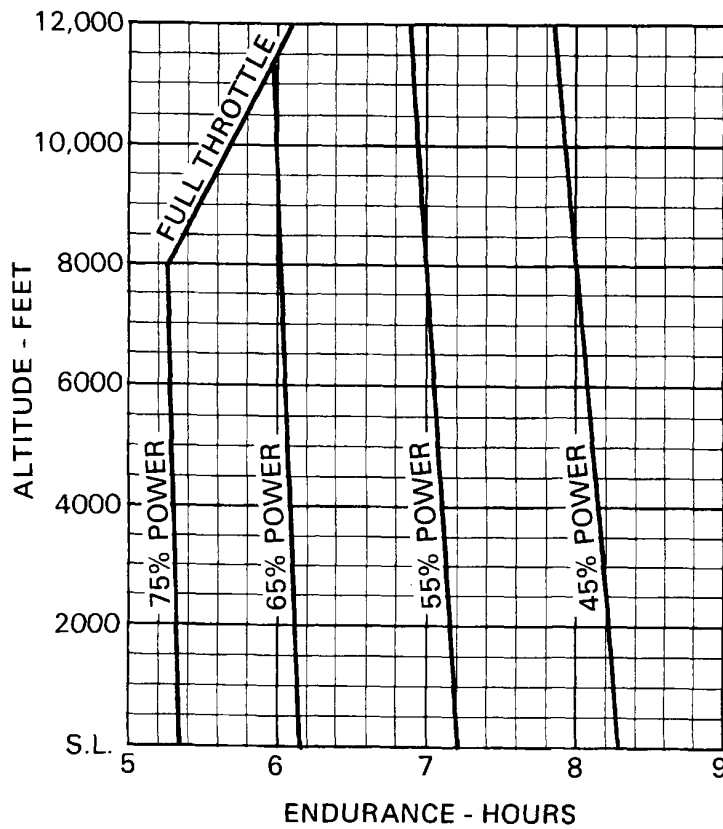


Figure 5-9. Endurance Profile (Sheet 2 of 2)

LANDING DISTANCE

SHORT FIELD

CONDITIONS:
Flaps 40°
Power Off
Maximum Braking
Paved, Level, Dry Runway
Zero Wind

NOTES:

1. Short field technique as specified in Section 4.
2. Decrease distances 10% for each 9 knots headwind. For operation with tailwinds up to 10 knots, increase distances by 10% for each 2 knots
3. For operation on a dry, grass runway, increase distances by 45% of the "ground roll" figure.

| WEIGHT LBS | SPEED AT 50 FT KIAS | PRESS ALT FT | 0°C | | 10°C | | 20°C | | 30°C | | 40°C | |
|---------------|------------------------------|--------------------|--------------|--------------------------------|--------------|--------------------------------|--------------|--------------------------------|--------------|--------------------------------|--------------|--------------------------------|
| | | | GRND ROLL | TOTAL TO CLEAR 50 FT OBS | GRND ROLL | TOTAL TO CLEAR 50 FT OBS | GRND ROLL | TOTAL TO CLEAR 50 FT OBS | GRND ROLL | TOTAL TO CLEAR 50 FT OBS | GRND ROLL | TOTAL TO CLEAR 50 FT OBS |
| 2300 | 60 | S.L. | 495 | 1205 | 510 | 1235 | 530 | 1265 | 545 | 1295 | 565 | 1330 |
| | | 1000 | 510 | 1235 | 530 | 1265 | 550 | 1300 | 565 | 1330 | 585 | 1365 |
| | | 2000 | 530 | 1265 | 550 | 1300 | 570 | 1335 | 590 | 1370 | 610 | 1405 |
| | | 3000 | 550 | 1300 | 570 | 1335 | 590 | 1370 | 610 | 1405 | 630 | 1440 |
| | | 4000 | 570 | 1335 | 590 | 1370 | 615 | 1410 | 635 | 1445 | 655 | 1480 |
| | | 5000 | 590 | 1370 | 615 | 1415 | 635 | 1450 | 655 | 1485 | 680 | 1525 |
| | | 6000 | 615 | 1415 | 640 | 1455 | 660 | 1490 | 685 | 1535 | 705 | 1570 |
| | | 7000 | 640 | 1455 | 660 | 1495 | 685 | 1535 | 710 | 1575 | 730 | 1615 |
| 8000 | 665 | 1500 | 690 | 1540 | 710 | 1580 | 735 | 1620 | 760 | 1665 | | |

Figure 5-10. Landing Distance

SECTION 6 WEIGHT & BALANCE/ EQUIPMENT LIST

TABLE OF CONTENTS

| | Page |
|--|------|
| Introduction | 6-3 |
| Airplane Weighing Procedures | 6-3 |
| Weight and Balance | 6-6 |
| Equipment List | 6-13 |

INTRODUCTION

This section describes the procedure for establishing the basic empty weight and moment of the airplane. Sample forms are provided for reference. Procedures for calculating the weight and moment for various operations are also provided. A comprehensive list of all Cessna equipment available for this airplane is included at the back of this section.

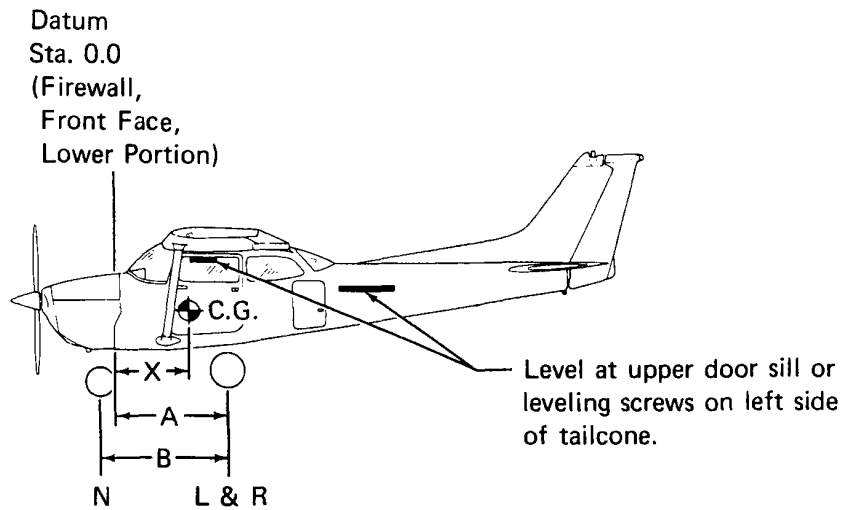
It should be noted that specific information regarding the weight, arm, moment and installed equipment list for this airplane can only be found in the appropriate weight and balance records carried in the airplane.

AIRPLANE WEIGHING PROCEDURES

- (1) Preparation:
 - a. Inflate tires to recommended operating pressures.
 - b. Remove the fuel tank sump quick-drain fittings and fuel selector valve drain plug to drain all fuel.
 - c. Remove oil sump drain plug to drain all oil.
 - d. Move sliding seats to the most forward position.
 - e. Raise flaps to the fully retracted position.
 - f. Place all control surfaces in neutral position.
- (2) Leveling:
 - a. Place scales under each wheel (minimum scale capacity, 500 pounds nose, 1000 pounds each main).
 - b. Deflate the nose tire and/or lower or raise the nose strut to properly center the bubble in the level (see Figure 6-1).
- (3) Weighing:
 - a. With the airplane level and brakes released, record the weight shown on each scale. Deduct the tare, if any, from each reading.
- (4) Measuring:
 - a. Obtain measurement A by measuring horizontally (along the airplane center line) from a line stretched between the main wheel centers to a plumb bob dropped from the firewall.
 - b. Obtain measurement B by measuring horizontally and parallel to the airplane center line, from center of nose wheel axle, left side, to a plumb bob dropped from the line between the main wheel centers. Repeat on right side and average the measurements.

**SECTION 6
WEIGHT & BALANCE/
EQUIPMENT LIST**

**CESSNA
MODEL 172N**



| Scale Position | Scale Reading | Tare | Symbol | Net Weight |
|---------------------------------|---------------|------|--------|------------|
| Left Wheel | | | L | |
| Right Wheel | | | R | |
| Nose Wheel | | | N | |
| Sum of Net Weights (As Weighed) | | | W | |

$$X = \text{ARM} = \frac{(A) - (N) \times (B)}{W}, X = (\quad) - (\quad) \times (\quad) = (\quad) \text{ IN.}$$

| Item | Weight (Lbs.) | X C.G. Arm (In.) = | Moment/1000 (Lbs.-In.) |
|---|---------------|--------------------|------------------------|
| Airplane Weight (From Item 5, page 6-6) | | | |
| Add Oil: | | | |
| No Oil Filter (6 Qts at 7.5 Lbs/Gal) | | -14.0 | |
| With Oil Filter (7 Qts at 7.5 Lbs/Gal) | | -14.0 | |
| Add Unusable Fuel: | | | |
| Std. Tanks (3 Gal at 6 Lbs/Gal) | | 46.0 | |
| L.R. Tanks (4 Gal at 6 Lbs/Gal) | | 46.0 | |
| Equipment Changes | | | |
| Airplane Basic Empty Weight | | | |

Figure 6-1. Sample Airplane Weighing

- (5) Using weights from (3) and measurements from (4) the airplane weight and C. G. can be determined.
- (6) Basic Empty Weight may be determined by completing Figure 6-1.

WEIGHT AND BALANCE

The following information will enable you to operate your Cessna within the prescribed weight and center of gravity limitations. To figure weight and balance, use the Sample Problem, Loading Graph, and Center of Gravity Moment Envelope as follows:

Take the basic empty weight and moment from appropriate weight and balance records carried in your airplane, and enter them in the column titled YOUR AIRPLANE on the Sample Loading Problem.

NOTE

In addition to the basic empty weight and moment noted on these records, the c. g. arm (fuselage station) is also shown, but need not be used on the Sample Loading Problem. The moment which is shown must be divided by 1000 and this value used as the moment/1000 on the loading problem.

Use the Loading Graph to determine the moment/1000 for each additional item to be carried; then list these on the loading problem.

NOTE

Loading Graph information for the pilot, passengers, and baggage is based on seats positioned for average occupants and baggage loaded in the center of the baggage areas as shown on the Loading Arrangements diagram. For loadings which may differ from these, the Sample Loading Problem lists fuselage stations for these items to indicate their forward and aft c. g. range limitations (seat travel and baggage area limitation.). Additional moment calculations, based on the actual weight and c. g. arm (fuselage station) of the item being loaded, must be made if the position of the load is different from that shown on the Loading Graph.

Total the weights and moments/1000 and plot these values on the Center of Gravity Moment Envelope to determine whether the point falls within the envelope, and if the loading is acceptable.

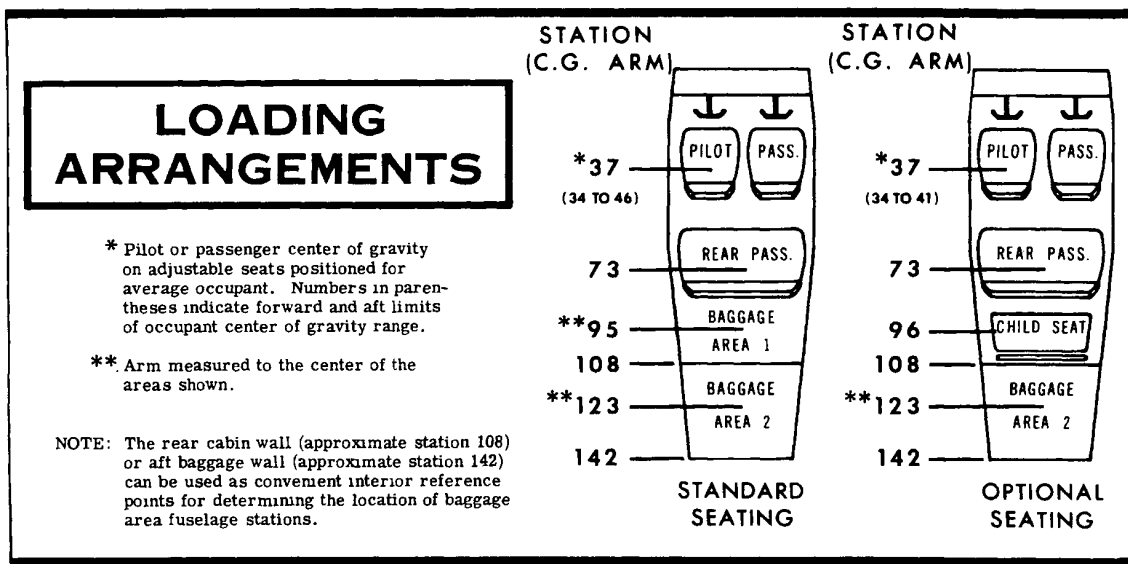
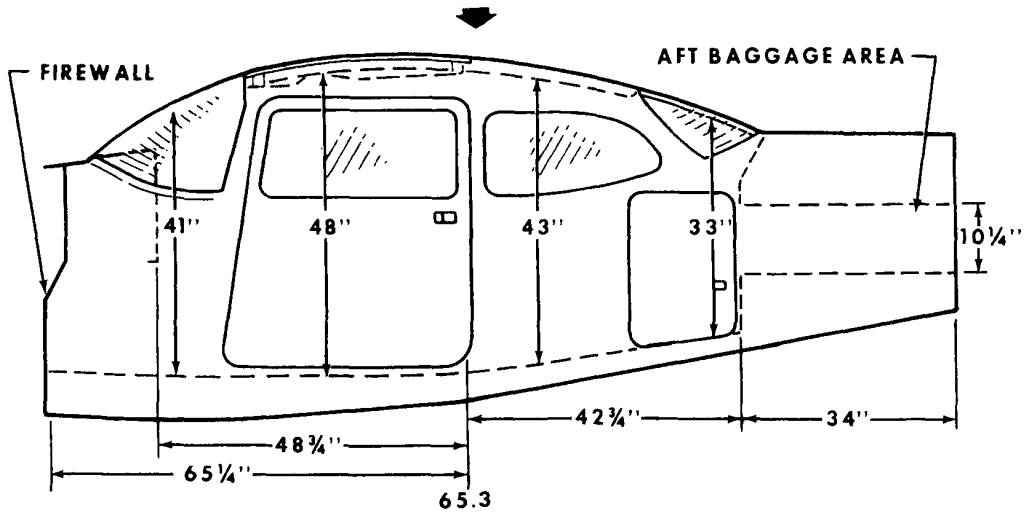


Figure 6-3. Loading Arrangements

CABIN HEIGHT MEASUREMENTS



DOOR OPENING DIMENSIONS

| | WIDTH (TOP) | WIDTH (BOTTOM) | HEIGHT (FRONT) | HEIGHT (REAR) |
|--------------|-------------|----------------|----------------|---------------|
| CABIN DOOR | 32" | 37" | 40" | 41" |
| BAGGAGE DOOR | 15 1/4" | 15 1/4" | 22" | 21" |

==== WIDTH ====
● LWR WINDOW LINE
* CABIN FLOOR

CABIN WIDTH MEASUREMENTS

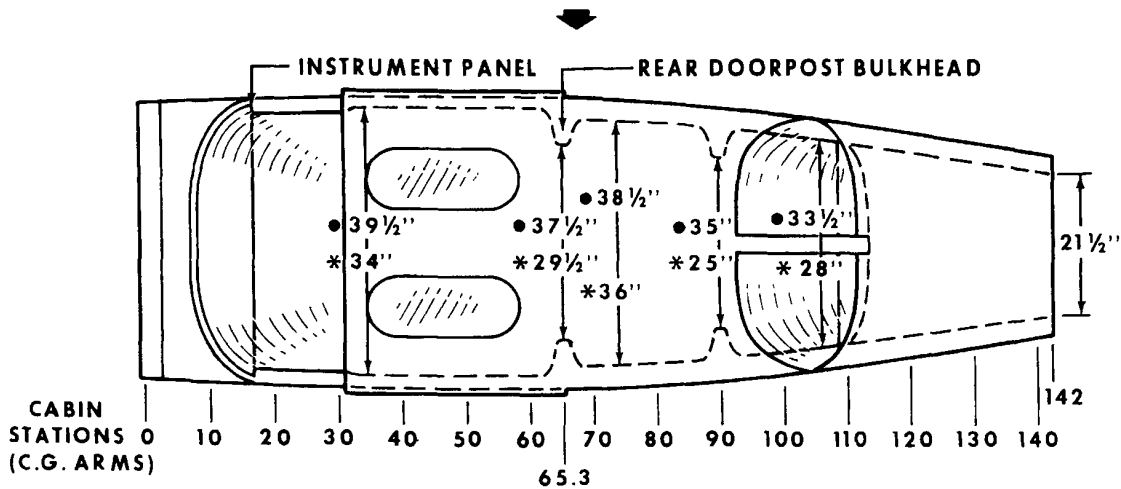


Figure 6-4. Internal Cabin Dimensions

| SAMPLE AIRPLANE | YOUR AIRPLANE | | |
|--|---|---------------------------|--|
| | Weight (lbs.) | Moment (lb. - ins. /1000) | |
| <p style="text-align: center;">SAMPLE LOADING PROBLEM</p> <p>1. Basic Empty Weight (Use the data pertaining to your airplane as it is presently equipped. Includes unusable fuel and full oil)</p> <p>2. Usable Fuel (At 6 Lbs./Gal.) Standard Tanks (40 Gal. Maximum) Long Range Tanks (50 Gal. Maximum)</p> <p>3. Pilot and Front Passenger (Station 34 to 46)</p> <p>4. Rear Passengers</p> <p>5. * Baggage Area 1 or Passenger on Child's Seat (Station 82 to 108) 120 Lbs. Max.</p> <p>6. * Baggage Area 2 (Station 108 to 142) 50 Lbs. Max.</p> <p>7. TOTAL WEIGHT AND MOMENT</p> | 1454 | 57.6 | |
| | 240 | 11.5 | |
| | 340 | 12.6 | |
| | 170 | 12.4 | |
| | 96 | 9.1 | |
| | 2300 | 103.2 | |
| | 8. Locate this point (2300 at 103.2) on the Center of Gravity Moment Envelope, and since this point falls within the envelope, the loading is acceptable. | | |
| | <p>NOTE</p> <p>* The maximum allowable combined weight capacity for baggage areas 1 and 2 is 120 lbs.</p> | | |

Figure 6-5. Sample Loading Problem

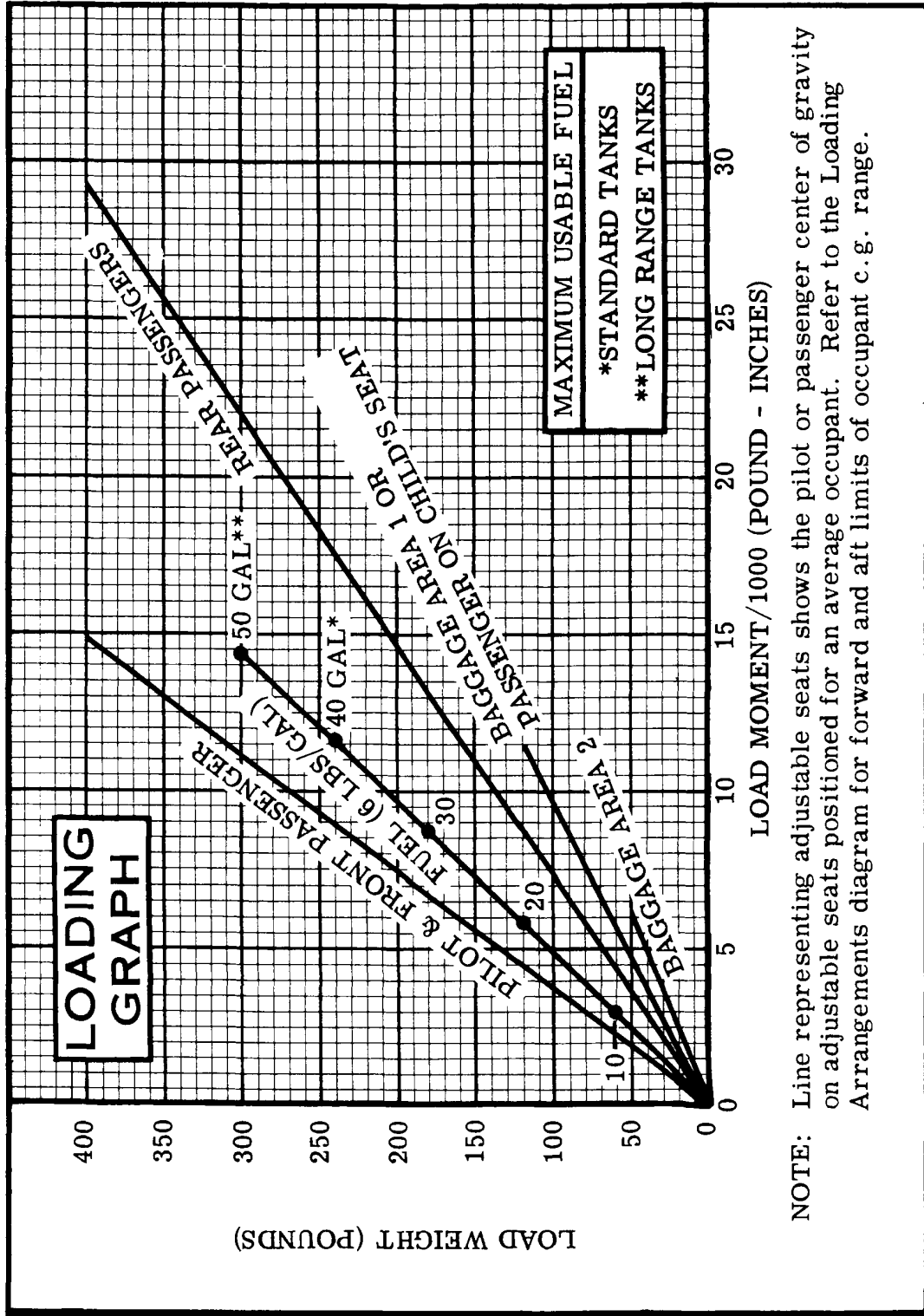


Figure 6-6. Loading Graph

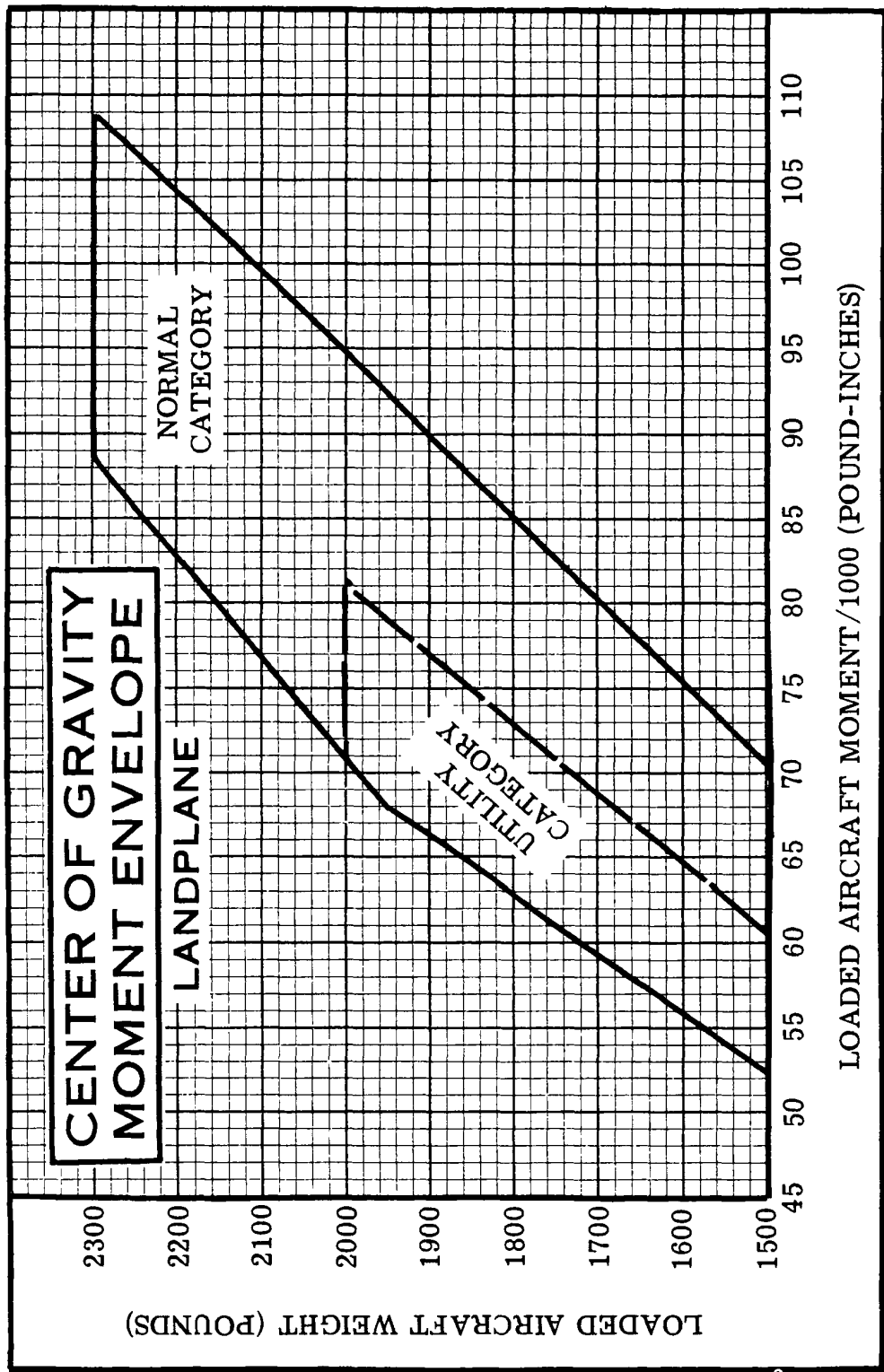


Figure 6-7. Center of Gravity Moment Envelope

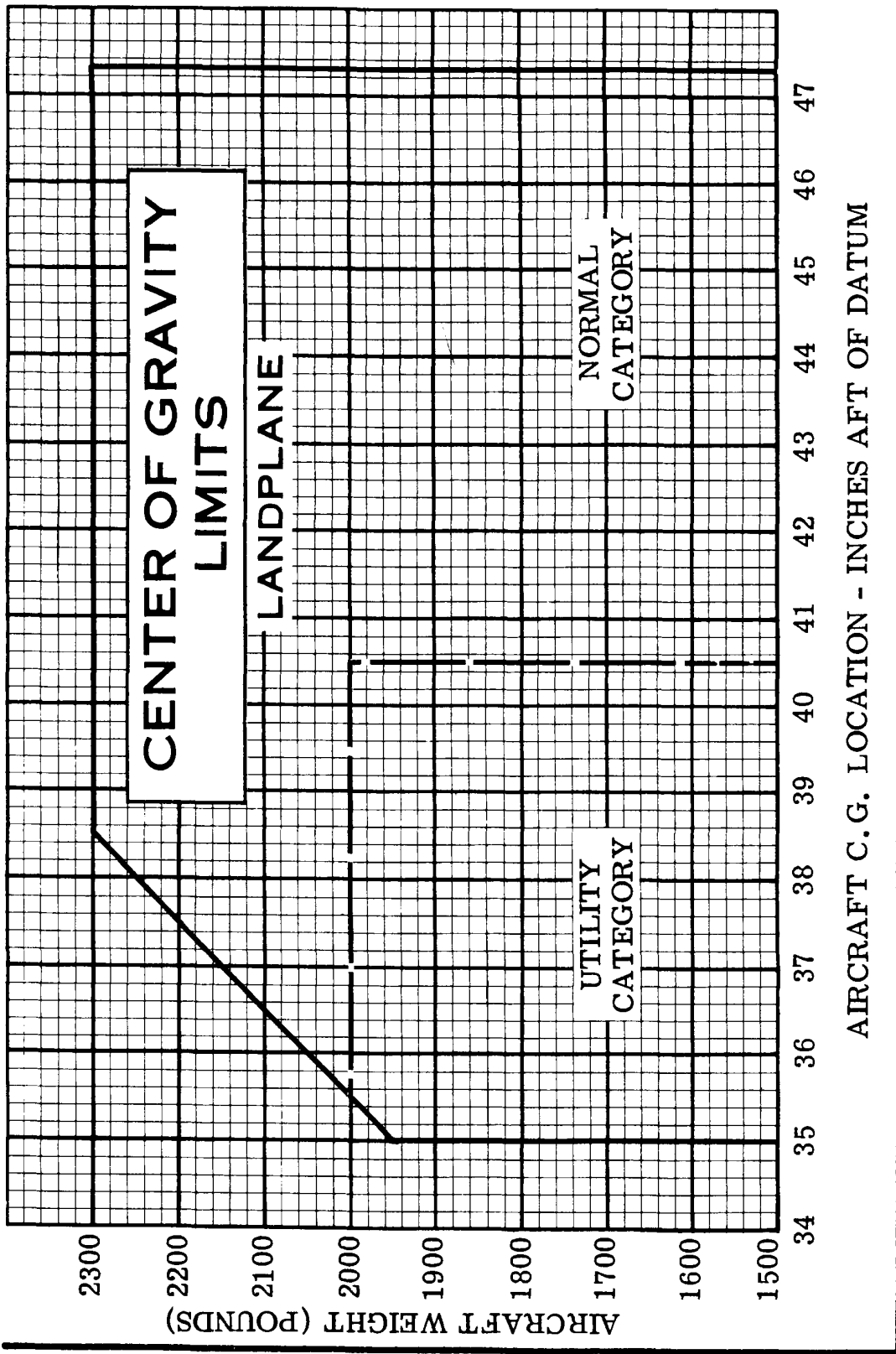


Figure 6-8. Center of Gravity Limits

EQUIPMENT LIST

The following equipment list is a comprehensive list of all Cessna equipment available for this airplane. A separate equipment list of items installed in your specific airplane is provided in your aircraft file. The following list and the specific list for your airplane have a similar order of listing.

This equipment list provides the following information:

An item number gives the identification number for the item. Each number is prefixed with a letter which identifies the descriptive grouping (example: A. Powerplant & Accessories) under which it is listed. Suffix letters identify the equipment as a required item, a standard item or an optional item. Suffix letters are as follows:

- R = required items of equipment for FAA certification
- S = standard equipment items
- O = optional equipment items replacing required or standard items
- A = optional equipment items which are in addition to required or standard items

A reference drawing column provides the drawing number for the item.

NOTE

If additional equipment is to be installed, it must be done in accordance with the reference drawing, accessory kit instructions, or a separate FAA approval.

Columns showing weight (in pounds) and arm (in inches) provide the weight and center of gravity location for the equipment.

NOTE

Unless otherwise indicated, true values (not net change values) for the weight and arm are shown. Positive arms are distances aft of the airplane datum; negative arms are distances forward of the datum.

NOTE

Asterisks (*) after the item weight and arm indicate complete assembly installations. Some major components of the assembly are listed on the lines immediately following. The summation of these major components does not necessarily equal the complete assembly installation.

SECTION 6
WEIGHT & BALANCE/
EQUIPMENT LIST

CESSNA
MODEL 172N

| ITEM NO | EQUIPMENT LIST DESCRIPTION | REF DRAWING | WT LBS | ARM INS |
|---------|--|---------------|--------|---------|
| | A. POWERPLANT & ACCESSORIES | | | |
| A01-R | ENGINE, LYCOMING O-320-H2AD (INCLUDES ELECTRIC STARTER, VACUUM PUMP PAD, SPARK PLUGS & CARBURETOR) | 0550333 | 269.5* | -19.7* |
| A05-R | FILTER, CARBURETOR AIR | C294510-0301 | 0.5 | -26.0 |
| A09-R | ALTERNATOR 14 VOLT, 60 AMP (BELT DRIVE) | C611501-0102 | 10.8 | -29.0 |
| A17-R | OIL COOLER INSTALLATION | 0550333 | 2.1 | -2.5* |
| A21-A | OIL COOLER | 105099A | 2.5 | -6.5 |
| A21-A | OIL FILTER INSTALLATION (SPIN-ON ELEMENT) | 0501060 | | |
| A33-R | NET CHANGE ASSY. (FIXED PITCH-LANDPLANE) | C161001-0310 | 35.9* | -38.5* |
| A33-R | PROPELLER ASSY. (MCCAULEY) | IC160/DTM7557 | 30.1 | -39.1 |
| A33-R | 3.5 INCH PROP SPACER ADAPTOR (MCCAULEY) | C4516 | 3.6 | -35.4* |
| A33-R | PROPELLER ASSY. (FIXED PITCH-FLOATPLANE) | C161001-0311 | 37.5* | -38.6* |
| A41-R | 3.5 INCH PROP SPACER ADAPTOR (MCCAULEY) | 1A175/ETM8044 | 31.8 | -39.1 |
| A41-R | PROPELLER INSTALLATION, PROPELLER | C4516 | 3.6 | -35.4* |
| A41-R | SPINNER IN INSTALLATION, PROPELLER | 0550320 | 2.0* | -41.4* |
| A41-R | SPINNER DOME BULKHEAD | 0550236-8 | 1.2 | -43.1 |
| A41-R | FWD SPINNER BULKHEAD | 0550321-4 | 0.3 | -40.8 |
| A41-R | AFT SPINNER BULKHEAD | 0550321-10 | 0.4 | -37.3* |
| A41-R | VACUUM SYSTEM INSTALLATION | 0501054 | 4.3* | -6.3 |
| A41-R | VACUUM PUMP (AV WT OF 4 TYPES) | 0501003-0201 | 2.8 | -6.7 |
| A41-R | FILTER GAUGE | C294502-0201 | 0.2 | 16.2 |
| A41-R | VACUUM VALVE-REGULATOR | C668509-0101 | 0.1 | 4.5 |
| A41-R | RELIEF VALVE, ENGINE THREE CYLINDER | C482001-0401 | 0.5 | 14.0 |
| A41-R | PRIMER SYSTEM, ENGINE THREE CYLINDER (NET CHANGE) | 0501056-1 | 0.5 | -12.0 |
| A41-R | OIL QUICK DRAIN VALVE | 1701015 | 0.0 | - |
| A70-A | | | | |
| A73-A | | | | |
| B01-R | B. LANDING GEAR & ACCESSORIES | | | |
| B01-R | WHEEL, BRAKE & TIRE ASSY, 6.00X6 MAIN (2) | C163015-0201 | 41.7* | 57.8* |
| B01-R | WHEEL ASSY., MCCAULEY | C163003-0101 | 6.4 | 58.2 |
| B01-R | BRAKE ASSY., MCCAULEY (LEFT) | C163032-0105 | 1.9 | 54.5 |
| B01-R | BRAKE ASSY., MCCAULEY (RIGHT) | C163032-0106 | 1.9 | 54.5 |
| B01-R | TIRE, 4-PLY BLACKWALL | C262003-0101 | 8.5 | 58.2 |

| ITEM NO | EQUIPMENT LIST DESCRIPTION | REF DRAWING | WT LBS | ARM INS |
|----------------------|--|---|---|--|
| B04-R | TUBE WHEEL & TIRE ASSY, 5.00X5 NOSE (EACH) WHEEL ASSY, MCCAULEY TIRE, 4-PLY BLACKWALL | C262023-0102 C163018-0101 C163005-0201 C262003-0102 C262023-0101 0541225-1 | 1.8* 8.6* 2.4 4.7 1.2* 17.8* 4.0 5.7 | 58.2 -6.8 -6.8 -6.8 -47.1* -4.9 60.3 |
| B10-S | FAIRING INSTALLATION, WHEEL (SET OF 3) NOSE WHEEL FAIRING MAIN WHEEL FAIRING (EACH) | | | |
| C. ELECTRICAL SYSTEM | | | | |
| C01-R | BATTERY, 12 VOLT, 25 AMP HOUR ALTERNATOR | 0511319 | 23.0 | 0.0 |
| C04-R | REGULATOR, 14 VOLT, 60 AMP | 0611001-0201 | 0.5 | 3.6 |
| C07-A | GROUND SERVICE PLUG RECEPTACLE | 0501053 | 2.7 | -2.4 |
| C16-O | HEATING SYSTEM, PITOT (NET CHANGE) | 0422355 | 0.6 | 16.5 |
| C22-A | LIGHTS, INSTRUMENT POST (REQUIRES INSTALLATION OF E34-O DELUXE GLARESHIELD) | 0513094 | 0.5 | |
| C25-A | LIGHT, MAP (CONTROL WHEEL MOUNTED) | 0570087 | 0.2 | 31.5 |
| C28-S | LIGHT, MAP & INSTRUMENT PANEL FLOOD (DOORPOST MOUNTED) | 0700149 | 0.3 | 32.0 |
| C31-A | LIGHTS, COURTESY ENTRANCE (SET OF 2) | 0521101 | 0.5 | 61.0 |
| C40-A | DETECTORS, NAVIGATION LIGHT (SET OF 2) | 0701013-1, -2 | NEGL | - |
| C43-A | LIGHT INSTALLATION, OMNIFLASH BEACON | 0506003 | 2.1* | 184.2* |
| | BEACON LIGHT ON FIN TIP | C621001-0106 | 0.4 | 243.0 |
| | FLASHER LIGHT ON FIN TIP | C594502-0102 | 0.8 | 205.8 |
| | RESISTOR (MEMCOR) | 0R95-1.5 | 0.3 | 208.1 |
| C46-A | LIGHT INSTALLATION, WING TIP STROBE | 0501027-0101 | 3.4* | 43.3* |
| | FLASHER POWER SUPPLY (SET OF 2 IN WING) | C622007-0101 | 2.3 | 47.0 |
| C49-S | STROBE LIGHT, WING TIP (SET OF 2) | C622006 | 0.2* | 43.5 |
| | LIGHT INSTALLATION, COUW MOUNTED LANDING LAMP, 250 WATT (G.E.) | 0570102 | 1.9* | -27.1* |
| C49-O | LIGHTS, DUAL COUW MOUNTED LANDING LAMP, 250 WATT (G.E.) (EACH) | 4522 0552141 4509 | 0.8* 3.2* 0.5 | -29.0* -23.0* -29.0 |

SECTION 6
WEIGHT & BALANCE/
EQUIPMENT LIST

CESSNA
MODEL 172N

| ITEM NO | EQUIPMENT LIST DESCRIPTION | REF DRAWING | WT LBS | ARM INS |
|---------|---|--------------|--------|---------|
| | D. INSTRUMENTS | | | |
| D01-R | INDICATOR, AIRSPEED | C661064-0102 | 0.6 | 16.2 |
| D01-O | INDICATOR, TRUE AIRSPEED | 0513279 | 0.7 | 16.3 |
| D04-A | STATIC AIR ALTERNATE SOURCE | 0501017 | 0.2 | 15.5 |
| D07-R | ALTIMETER, SENSITIVE (50 FT. MARKINGS) | C661071-0101 | 1.0 | 14.0 |
| D07-O-1 | ALTIMETER, AND MILLIBARS (50 FT. MARKINGS) | C661071-0102 | 1.0 | 14.0 |
| D07-O-2 | ALTIMETER, 2ND UNIT INSTALLATION (DUAL) | C661025-0102 | 1.0 | 14.0 |
| D10-A | ENCODING ALTIMETER (REQUIRES RELOCATION OF REGULAR ALTIMETER) | 2001015 | 1.0 | 14.5 |
| D16-A-1 | ENCODING ALTIMETER, USED WITH TRANSPONDER; (INSTRUMENT PANEL MOUNTING NOT REQUIRED BECAUSE OF NO VISUAL READ OUT) | 0501049 | 3.0 | 14.0 |
| D16-A-2 | ENCODING ALTIMETER, FEET & MILLIBARS (REQUIRES RELOCATION OF REGULAR ALTIMETER) | 0501059 | 1.5* | 14.4* |
| D16-A-3 | ENCODING ALTIMETER, USED WITH TRANSPONDER; (INSTRUMENT PANEL MOUNTING NOT REQUIRED BECAUSE OF NO VISUAL READ OUT) | | | |
| D19-R | AMMETER | C744001-0101 | 1.3 | 14.6 |
| D22-A | GAGE, CARBURETOR AIR TEMPERATURE | S-1320-5 | 0.3 | 16.5 |
| D25-S | CLOCK, ELECTRIC | 0513339 | 1.0 | 14.0 |
| D28-R | COMPASS, MAGNETIC-INSTALLATION | C664508-0101 | 0.4 | 16.3 |
| D38-R | INSTRUMENT CLUSTER, LH & RH FUEL QUANTITY | 0513262-1 | 0.5 | 14.0 |
| D41-R | GYROS, ATTITUDE & DIRECTIONAL INDICATORS (NON-NAV-O-MATIC) | C669511-0102 | 0.5 | 16.5 |
| D64-S | DIRECTIONAL INDICATOR (AV. OF 4) | 0501054-1 | 5.8* | 14.0* |
| D64-O-1 | ATTITUDE INDICATOR (AV. OF 3) | C661075 | 2.7 | 13.2 |
| D64-O-2 | GYRO INSTALLATION (SIMILAR TO D64-S EXCEPT DIRECTIONAL INDICATOR HAS A MOVEABLE HEADING POINTER FOR 300A NAV-O-MATIC) | C661076 | 2.2 | 13.4 |
| D67-A | GYRO INSTALLATION, FLIGHT HOUR | 1201126-1 | 6.3* | 13.9* |
| D82-S | GAGE, OUTSIDE AIR TEMPERATURE | 0501052 | 0.5 | 13.2 |
| D85-R | TACHOMETER INSTALLATION, ENGINE | 0501054-2 | 6.9* | 13.4* |
| | | 40760 | 3.3 | 13.3 |
| | | 0501052 | 0.8 | 12.3 |
| | | C668507-0101 | 0.1 | 28.6 |
| | | 0506004 | 1.0* | 12.1* |

| ITEM NO | EQUIPMENT LIST DESCRIPTION | REF DRAWING | WT LBS | ARM INS |
|---------|--|---|---|--|
| D88-S | RECORDING TACH INDICATOR | C668020-0118 | 0.7 | 16.0 |
| D88-O-1 | FLEXIBLE TACH SHAFT INDICATOR, TURN COORDINATOR (FOR USE WITH INDICATOR, TURN COORDINATOR (300A) NAV-O-MATIC 200A BANK (NOT COMPATIBLE INDICATOR, TURN & BANK (NOT COMPATIBLE WITH NAV-O-MATIC) INDICATOR, RATE OF CLIMB | S-1605-10 C661003-0504 42320-0014 S-1413N2 C661080-0101 | 0.3 1.3 1.9 2.0 1.0 | 3.0 15.8 14.6 14.5 14.9 |
| E02-S | E. CABIN ACCOMMODATIONS | 0715039 | 1.5 | 72.5 |
| E05-R | ARM RESTS - 2ND ROW (SET OF 2) | | 12.6 | 44.5 |
| E07-S | SEAT, ADJUSTABLE FORE & AFT - PILOT | | 12.6 | 44.0 |
| E07-O | SEAT, ADJUSTABLE FORE & AFT - CO-PILOT | | 23.0 | 41.5 |
| E09-S | SEAT, INFINITE ADJUSTABLE - CO-PILOT | | 23.0 | 79.5 |
| E09-O | SEAT, REAR (ONE PIECE BACK CUSHION) | | 22.0 | 79.5 |
| E11-A | SEAT, INSTALLATION, CHILDS FOLD AWAY LAP BELT ASSY | 0501009 S-1746-5 0714005-1 S-2275-103 S-2275-201 0501046-1 | 8.4* 0.8 6.7 1.0 0.6 2.0 | 101.1* 100.8 100.8 37.0 82.0 |
| E15-R | PILOT LAP BELT ASSY | S-2275-3 | 1.6 | 37.0 |
| E15-S | SHOULDER HARNESS ASSY, PILOT | S1746-13 | 3.2 | 70.0 |
| E19-O | SHOULDER HARNESS INERTIA REEL INSTALLATION PILOT HARNESS (NET CHANGE) AND SHOULDER ASSY (SET OF 2) PILOT HARNESS (NET CHANGE) | S-2275-8 | | |
| E23-S | BELT ASSY, 2ND ROW SEATING (NET CHANGE) | | | |
| E27-S | BELT ASSY, 2ND ROW SEATING (NET CHANGE) | | | |
| E34-O | DELUXE GLARE SHIELD (NET CHANGE) | 0515034 | 1.0 | 21.0 |
| E35-A | LEATHER SEAT COVERING (NET CHANGE) | CES-1151 | 2.0 | 62.0 |
| E37-A | WINDOW, HINGED, RH DOOR TOP (NET CHANGE) | 0511803 | 2.3 | 47.0 |
| E39-A | WINDOW, OVERHEAD CABIN TOP (NET CHANGE) | 0511800 | 0.9 | 47.9 |
| E43-A | VENTILATION SYSTEM, REAR SEAT | 0700322 | 1.5 | 60.0 |
| E49-A | BEVERAGE CUP HOLDER (WT EACH) | 0501023 | 0.1 | 15.0 |
| E50-A | HEADREST, 1ST ROW (WT EACH) | 1215073-11 | 0.7 | 47.0 |
| E51-A | HEADREST, 2ND VIEW | 1215073-11 | 0.7 | 47.0 |
| E53-A | MIRROR, REAR VIEW | 0500312 | 0.3 | 86.9 |

SECTION 6
WEIGHT & BALANCE/
EQUIPMENT LIST

CESSNA
MODEL 172N

| ITEM NO | EQUIPMENT LIST DESCRIPTION | REF DRAWING | WT LBS | ARM INS |
|-------------------------|--|--|---------------------------|-------------------------------|
| E55-S E57-A | SUN VISORS (SET OF 2) WINDOWS, TINTED FRONT, SIDE & REAR (NET CHANGE) | 0500040 0500267 | 0.9 0.0 | 32.8 - |
| E65-S E71-A | BAGGAGE NET RINGS, CARGO TIE-DOWN (STOWED)(USE ARM AS INSTALLED WITH CARGO) | 2015009 0500042 | 0.5 1.0 | 95.0 - |
| E75-A | STRETCHER INSTALLATION - BOXED (USE ACTUAL WEIGHT AND ARM CHANGE) | 0700164-4 | - | - |
| E85-A E87-A E93-R | CONTROLS INSTALLATION, DUAL RUDDER TRIM SYSTEM HEATING SYSTEM, CABIN & CARBURETOR AIR (INCLUDES EXHAUST SYSTEM) | 0513335 0513290-1 0550333 0506004 | 4.9 1.9 17.5 | 12.4 9.4 -21.0 |
| F. PLACARDS & WARNING | | | | |
| F01-R F01-0-1 | PLACARD, OPERATIONAL LIMITATIONS-DAY VFR PLACARD, OPERATIONAL LIMITATIONS-DAY NIGHT VFR | 0505053-1 0505053-2 | NEGL NEGL | - - |
| F01-0-2 | PLACARD, OPERATIONAL LIMITATIONS-DAY NIGHT VFR IFR | 0505053-3 | NEGL | - |
| F01-0-3 | PLACARD, OPERATIONAL LIMITATIONS-DAY VFR FLOAT PLANE | 0505053-16 | NEGL | - |
| F01-0-4 | PLACARD, OPERATIONAL LIMITATIONS-DAY NIGHT VFR, FLOAT PLANE | 0505053-17 | NEGL | - |
| F01-0-5 | PLACARD, OPERATIONAL LIMITATIONS-DAY NIGHT VFR IFR, FLOAT PLANE | 0505053-18 | NEGL | - |
| F04-R F13-S | NOTE THE ABOVE PLACARDS ARE INSTALLED ACCORDING TO AIRCRAFT EQUIPMENT INDICATOR, AUDIBLE PNEUMATIC STALL WARNING OVERVOLT WARNING LIGHT, ALTERNATOR | 0523112 | 0.2 NEGL | 28.5 - |
| G. AUXILIARY EQUIPMENT | | | | |
| G04-A G07-A G13-A | TOW HOOK (INSTALLED) (STOWED) RINGS, AIRPLANE HOISTING (CABIN TOP) CORROSION PROOFING, INTERNAL | 0500228 0541115 0500036 | 0.5 0.5 1.1 10.0 | 229.0 95.0 49.1 77.0 |

| ITEM NO | EQUIPMENT LIST DESCRIPTION | REF DRAWING | WT LBS | ARM INS |
|---------|---|---------------|--------|---------|
| G16-A | STATIC DISCHARGERS | 0501048 | 0.4 | 143.2 |
| G19-A | STABILIZER (STOWED) | 0500041 | 2.7 | 206.0 |
| G22-S | TOW BAR OVERALL EXTERIOR COVER | 0501019 | 11.1* | 91.6* |
| G25-S | PAINT, OVERALL WHITE BASE | 0504032 | 10.8 | 90.5 |
| | OVERALL WHITE STRIPE | 0500036 | 0.3 | 136.3 |
| G25-O | COLOR SCHEME - SKYHAWK II | | 11.1 | 91.6 |
| G31-A | PAINT, CORROSION RESISTANT CONTROL | | 10.0 | - |
| G55-A | CABLES; (NEXT CHANGE) | 0501011 | 3.0* | 43.8* |
| | FIRE EXTINGUISHER INSTALLATION | C421001-0101 | 2.6 | 44.0 |
| | FIRE EXTINGUISHER MOUNTING BRACKET | C421001-0102 | 0.3 | 42.2 |
| G58-A | FIRE EXTINGUISHER FUELING ASSISTING | 0513415 | 1.7 | 17.8* |
| G88-A-1 | STEPS & HANDLES, REFUELING ASSISTING | 0501008 | 0.8* | -22.7* |
| | WINTERIZATION KIT INSTALLATION | 0552011 | 0.4 | -13.8 |
| | BREATHER TUBE INSULATION | 0552132-1; -2 | 0.3 | -32.0 |
| | TWO COWL INLET AIR COVERS (INSTALLED) | 0552132-1; -2 | 0.3 | -7.2* |
| G88-A-2 | WINTERIZATION KIT INSTL.; FLOATPLANE ONLY | 0552011 | 1.0* | -12.0 |
| | BREATHER TUBE INSULATION (INSTALLED) | | 0.4 | -4.0 |
| | COWL OUTLET COVER (1) (STOWED) | | 0.6 | 95.0 |
| G92-O | FUEL SYSTEM, LONG RANGE WING TANKS (NET CHANGE) | 0520013 | 9.5 | 48.0 |
| | H. AVIONICS & AUTOPILOTS | | | |
| H01-A | CESSNA 300 ADF INSTALLATION | 3910159-2 | 7.0* | 21.0* |
| | CONSISTS OF | | | |
| | RECEIVER WITH BFO (R-546E) | 41240-0101 | 2.3 | 12.1 |
| | INDICATOR (IN-346A) | 40980-1001 | 0.9 | 14.0 |
| | SENSE ANTENNA INSTALLATION | 0570400-632 | 0.2 | 108.6 |
| | LOOP ANTENNA INSTALLATION | 3960104-1 | 1.4 | 39.3 |
| | RECEIVER MOUNT, WIRES AND MISC ITEMS | | 2.2 | 13.7* |
| H04-A | DME INSTALLATION, MARCO | 3910166-1 | 7.5* | 18.5* |
| | RECEIVER (DME-190) | | 4.9 | 11.3 |
| | MOUNTING BOX | | 0.6 | 11.3 |
| | ANTENNA, | | 0.2 | 86.1* |
| H07-A | CESSNA 400 GLIDESLOPE | UDA-3 | 0.2 | 86.1* |
| | RECEIVER (R-443B) | 3910157-2 | 4.3* | 82.6* |
| | | 42100-0000 | 2.1 | 117.3 |

SECTION 6
WEIGHT & BALANCE/
EQUIPMENT LIST

CESSNA
MODEL 172N

| ITEM NO | EQUIPMENT LIST DESCRIPTION | REF DRAWING | WT LBS | ARM INS |
|---------|---|--|---|---|
| H10-A | ANTENNA (LOCATED-UPPER WINDSHIELD) PANTRONICS PT-10A HF TRANSCEIVER 1ST UNIT TRANSCEIVER (PANEL MOUNTED) ANTENNA LOAD BOX HF POWER SUPPLY NOTE--1ST UNIT INSTL. COMPONENTS CONSIST ARE AS LISTED ANTENNA INSTALLATION, 351 INCHES LONG CABLE ASSEMBLIES HEADSET INSTALLATION MICROPHONE INSTALLATION AUDIO SWITCHING CONTROL NOISE FILTER CABIN SPEAKER ASSEMBLY RADIO COOLING PANTRONICS PT-10A HF TRANSCEIVER 2ND UNIT TRANSCEIVER (PANEL MOUNTED) ANTENNA LOAD BOX (REMOTE) HF POWER SUPPLY (HIGH FREQ.) NOISE FILTER, HIGH FREQ. POWER & SIGNAL CABLES ANTENNA ASB-125 HF TRANSCEIVER, 351 IN. LONG SUNAIR ASB-125 HF TRANSCEIVER, 2ND UNIT ANTENNA LOAD BOX POWER SUPPLY (REMOTE) UNTESTED TRANSCEIVER INSTALLATION, 351 IN. LONG ANTENNA INSTALATION, WIRES, AND ETC. MISC SWITCHES, WIRE H-11-A-1) PANTRONICS PT-10A HF TRANSCEIVER 3RD UNIT SAME AS 2ND UNIT (ITEM H-11-A-1) SUNAIR ASB-125 HF TRANSCEIVER, 3RD UNIT SAME AS 2ND UNIT (ITEM H-11-A-2) CESSNA 400 MARKER BEACON RECEIVER (R-402A) ANTENNA, L SHAPED ROD BENDIX MARKER BEACON (USED IN EXPORT A/C) RECEIVER, GM-247A ANTENNA, L SHAPED ROD CESSNA 300 TRANSPONDER PANTRONICS (A-109A) ANTENNA | 1200098-2 3910156-8 C582103-0102 C589502-0101 C582103-0201 0570400-616 3950122-15 3970125-4 3970124-1 3970121-1 3940148-1 C596504-0201 3930152-1 3910156-9 C582103-0102 C589502-0101 C582103-0201 0570400-715 0570400-616 3910158-1 99816 99682 99680 0570400-616 3910156-11 3910158-5 3910164-1 42410-5114 0770681-1 3910174-2 3940185-1 0770681-17 3910127-114 41420-1114 41530-0001 | 0.2* 24.8* 4.2 4.5 8.5 0.3 2.5 2.2 0.3 0.3 1.9 1.1 1.1 1.1* 20.2* 4.2 4.2 8.5 0.1 2.5 0.3 2.0* 22.0* 4.9 8.5 4.6 0.3 3.7* 22.0* 2.3* 0.7 0.7* 3.1* 1.5 0.7* 4.0* 2.7 0.3 | 30.7* 70.4 112.5 114.4 144.4 141.0 14.2 17.2 12.5 -26.1 37.9 10.2 88.8* 10.4 112.5 114.4 -0.5 41.4 144.4 182.8* 114.0 114.0 10.4 144.4 57.5 82.8* 34.5* 11.8 136.8* 100.8* 115.9 136.8* 25.1 11.1 126.0 |
| H11-A-1 | | | | |
| H11-A-2 | | | | |
| H11-A-3 | | | | |
| H11-A-4 | | | | |
| H13-A-1 | | | | |
| H13-A-2 | | | | |
| H16-A-1 | | | | |

| ITEM NO | EQUIPMENT LIST DESCRIPTION | REF DRAWING | WT LBS | ARM INS |
|--|---|--------------------------------------|-----------------------------|--------------------------------|
| H16-A-2 | CESSNA 400 TRANSPONDER (USED FOR EXPORT) TRANSCIEVER (RT-459A) | 3910128-21 | 4.2* | 25.1* |
| H19-A | ANTENNA (A-109A) | 41470-1114 | 2.9 | 11.1 |
| | CESSNA 300 VHF TRANSCIEVER, 1ST UNIT TRANSCIEVER (RT-524A) 1ST UNIT INSTALLATION ITEMS (AS LISTED BELOW)-- | 41530-0001 391055-7 31390-1114 | 0.3 11.9* 15.7 6.2 | 126.0 16.3* 11.0 21.2 |
| H20-A | RADIO COOLING | 3930152-1 | 1.1 | 11.4 |
| | ANTENNA, L.H. VHF COM. | 3960113-1 | 0.4 | 62.5 |
| | AUDIO CONTROL PANEL, SWITCHES & WIRING | 3970121-1 | 1.9 | 12.9 |
| | CABIN SPEAKER | 3970123-5 | 1.1 | 37.8 |
| | MICROPHONE INSTALLATION | 3970124-1 | 0.3 | 14.2 |
| H22-A-1 | HEAD SET INSTALLATION | 3970125-4 | 0.2* | 14.9* |
| | CESSNA 300 VHF COM TRANSCIEVER- 2ND UNIT RH COM ANTENNA CABLE | 3910155-8 31390-1114 | 5.7 0.4 | 11.0 27.8 |
| | TRANSCIEVER (RT-524A) | 3950122-2 | 0.4 | 62.4 |
| | ANTENNA, R.H. VHF COM. | 3960113-2 | 1.1 | 11.9 |
| | MISC ITEMS & WIRING | 3910151-7 | 14.0* | 32.0* |
| H22-A-2 | CESSNA 300 NAV/COM, 160 CH, FIRST UNIT WITH VOR/LOC | 42450-1114 | 6.4 | 11.5 |
| | RECEIVER-TRANSMITTER (RT-308C) | 45010-1000 | 0.6 | 16.3 |
| | VOR/LOC INDICATOR (IN-514B) | | | |
| | NOTE--1ST UNIT INSTALLATION COMPONENTS ARE AS LISTED | | | |
| | AUDIO CONTROL SYSTEM | 3970121 | 1.9 | 12.5 |
| | HEADPHONE INSTALLATION | 3970125-4 | 0.2 | 14.2 |
| | MICROPHONE INSTALLATION (HAND-HELD) | 3970124-1 | 0.3 | 17.2 |
| | NOISE FILTER (AUDIO) (ON ALTERNATOR) | 3940148-1 | 0.1 | -26.1 |
| | RADIO COOLING | 3930152-1 | 1.2 | 10.2 |
| | SPEAKER INSTALLATION | 3970123-2 | 1.4 | 37.9 |
| | COMMUNICATION ANTENNA CABLE (CO-AX) | 3950122-3 | 0.6 | 27.8 |
| | OMNI ANTENNA CABLE | 3950122-4 | 0.6 | 116.0 |
| OMNI ANTENNA INSTALLATION | 3960102-10 | 0.8 | 220.8 | |
| COMMUNICATIONS SPIKE ANTENNA INSTL. WITH VOR/LOC | 3960113-1 | 0.4 | 62.4 | |
| CESSNA 300 NAV/COM, 720 CH, FIRST UNIT WITH VOR/LOC | 3910150-20 | 14.5* | 31.3* | |
| H22-A-3 | RECEIVER-TRANSMITTER (RT-328T) | 43340-1124 | 6.9 | 11.5 |
| | VOR/LOC INDICATOR (IN-514B) INSTL. COMPONENTS SIMILAR TO H22-A-1 WITH VOR/ILS | 45010-1000 3910152-20 | 0.6 14.6* | 16.3 31.2* |

| ITEM NO | EQUIPMENT LIST DESCRIPTION | REF DRAWING | WT LBS | ARM INS |
|---------|---|---|---|---|
| J01-A | <p>J. SPECIAL OPTION PACKAGES</p> <p>SKYHAWK II EQUIPMENT CONSISTS OF ITEMS D01-0 TRUE AIRSPEED IND. (NET CHANGE) C16-0 HEATED PITOT SYSTEM E85-A DUAL CONTROL SYSTEM C40-A NAV LIGHT DETECTORS C31-A COURTESY LIGHTS D04-A FLASHING BEACON LIGHT SOURCE H28-A STATIC ALTERNATOR XMTR (ELT) G25-0 EMERGENCY LOCATOR (NET CHANGE) H22-A SKYHAWK II PAINT (NET CHANGE) NAV-PAC I NAV/COM 308C VOR/LOC H22-A-1 NAV/COM 308C VOR/LOC II ONLY) H25-A-2 328T NAV/COM 1ST UNIT H25-A-1 308C NAV/COM 1ST UNIT DELETED H01-A 308C NAV/COM VOR/LOC ADDED H16-A-1 300 ADF (546E) H16-A-1 300 TRANSPONDER (RT-359) FLOATPLANE FUSELAGE STRUCTURAL MODIFICA- TIONS & FITTINGS (OPTION C) FLOATPLANE COWLDECK V BRACE (INSTALLED) FLOATPLANE AILERON-RUDDER INTERCONNECT FLOATPLANE ONLY (INSTALLED) ITEMS J10-A & J13-A ARE ALSO APPROVED FOR LANDPLANE OPERATIONS MODEL 89A2000 FLOATS & STANDARD LANDING NET CHANGE BETWEEN BOI-R, 804-R, B10-S GEAR (ITEM NOS. BOI-R, 804-R, B10-S AND BRAKE & NOSE WHEEL STEERING SYSTEMS) AND FLOATPLANE KIT (ITEM NO. J30-A-1) IS APPROXIMATELY 155 LBS. AT 58.3 IN. THE CORRECT VALUES OF WT & ARM CHANGE FOR WT & BALANCE CALCULATIONS SHOULD BE DETERMINED FROM THE ACTUAL INSTALLATION.</p> | <p>0500510 0513279 0422355 0513335 0701013 0521101 0506003 0501017 0401008 0504032 3910151-7 3910161</p> | <p>24.4* 0.1 0.6 4.9 NEGL 0.5 2.1 0.2 0.0 0.0 14.0 21.0* 14.5 -14.5 7.0 4.0 6.1</p> | <p>48.3* 16.7 24.4 12.4 - 184.2 15.5 116.6 - 32.0 18.7* 31.3 32.0 14.4 21.0 26.1 45.5</p> |
| J04-A | | | | |
| J10-A | | 0500083 | | |
| J13-A | | 0513003 | | |
| J15-A | | 0560012 | | |
| J27-A | | ED0-36335 | | |

SECTION 6
WEIGHT & BALANCE/
EQUIPMENT LIST

CESSNA
MODEL 172N

| ITEM NO | EQUIPMENT LIST DESCRIPTION | REF DRAWING | WT LBS | ARM INS |
|---------|---|-------------|--------|---------|
| J30-A-1 | FLOATPLANE EQUIPMENT KIT, COMPLETE, OPTION CONSISTS OF ITEMS A33-0 PROPELLER, FLOATPLANE, EXCHANGE FO1-0- PLACARD, FLOATPLANE OPERATION G31-A- CABLES, CORROSION RESIST, EXCH. G13-A- CORROSION PROOFING, INTERNAL G07-A- RINGS, AIRPLANE HOISTING G58-A- STEP & HANDLE, REFUELING J10-A- FUSELAGE MODIFICATION (OPT C) J13-A- COWL DECK V-BRACE (INSTALLED) J15-A- INTERCONNECT SYSTEM, INSTALLED COWL ASSY, FLOATPLANE (NET CHG) | 0500083 | 21.7* | 52.3* |
| | | 0550320 | 1.3 | -41.4 |
| | | 0505053 | 0.0 | - |
| | | 0500036 | 0.0 | - |
| | | 0541115 | 1.1 | 77.0 |
| | | 0513415 | 1.7 | 49.1 |
| | | 0500083 | 6.1 | 17.8 |
| | | 0513003 | 1.1 | 45.5 |
| | | 0560012 | 0.4 | 26.2 |
| | | 0552162 | NEGL | 69.6 |
| | | 0500083 | 20.4* | 62.5* |
| J30-A-2 | FLOATPLANE EQUIPMENT KIT, PARTIAL OPTION B CONSISTS OF ITEMS FO1-0- PLACARD, FLOATPLANE OPERATION G31-A- CABLES, CORROSION RESIST, EXCH G13-A- CORROSION PROOFING, INTERNAL G07-A- RINGS, AIRPLANE HOISTING G58-A- STEP & HANDLE, REFUELING J10-A- FUSELAGE MODIFICATION (STOWED) J13-A- COWL DECK V-BRACE (INSTALLED) J15-A- INTERCONNECT SYSTEM (INSTALLED) COWL ASSY, FLOATPLANE (NET CHG) | 0505053 | 0.0 | - |
| | | 0500036 | 0.0 | - |
| | | 0500036 | 10.0 | 77.0 |
| | | 0541115 | 1.1 | 49.1 |
| | | 0513415 | 1.7 | 17.8 |
| | | 0500083 | 6.1 | 15.5 |
| | | 0513003 | 1.1 | 95.0 |
| | | 0560012 | 0.4 | 95.0 |
| | | 0552162 | NEGL | - |
| | | 0500083-17 | 10.4* | 41.2* |
| J30-A-3 | FLOATPLANE KIT B WITH NO INTERNAL CORROS- ION PROOFING) G07-A- RINGS, AIRPLANE HOISTING G58-A- STEP & HANDLE, REFUELING J10-A- FUSELAGE MODIFICATION J13-A- COWL DECK V-BRACE (INSTALLED) J15-A- INTERCONNECT SYSTEM (INSTALLED) COWL ASSY, FLOATPLANE (NET CHG) | 0541115 | 1.1 | 49.1 |
| | | 0513415 | 1.7 | 17.8 |
| | | 0500083 | 6.1 | 45.5 |
| | | 0513003 | 1.1 | 26.2 |
| | | 0560012 | 0.4 | 95.0 |
| | | 0552162 | NEGL | - |

SECTION 7 AIRPLANE & SYSTEMS DESCRIPTIONS

TABLE OF CONTENTS

| | Page |
|--|------|
| Introduction | 7-3 |
| Airframe | 7-3 |
| Flight Controls | 7-8 |
| Trim System | 7-8 |
| Instrument Panel | 7-8 |
| Ground Control | 7-9 |
| Wing Flap System | 7-9 |
| Landing Gear System | 7-10 |
| Baggage Compartment | 7-10 |
| Seats | 7-11 |
| Seat Belts and Shoulder Harnesses | 7-12 |
| Seat Belts | 7-12 |
| Shoulder Harnesses | 7-12 |
| Integrated Seat Belt/Shoulder Harnesses With Inertia Reels | 7-14 |
| Entrance Doors and Cabin Windows | 7-14 |
| Control Locks | 7-15 |
| Engine | 7-16 |
| Engine Controls | 7-16 |
| Engine Instruments | 7-16 |
| New Engine Break-in and Operation | 7-17 |
| Engine Oil System | 7-18 |
| Ignition-Starter System | 7-18 |
| Air Induction System | 7-19 |
| Exhaust System | 7-19 |
| Carburetor and Priming System | 7-19 |
| Cooling System | 7-20 |
| Propeller | 7-20 |
| Fuel System | 7-20 |
| Brake System | 7-23 |
| Electrical System | 7-23 |
| Master Switch | 7-25 |
| Ammeter | 7-25 |

TABLE OF CONTENTS (Continued)

| | Page |
|--|------|
| Over-Voltage Sensor and Warning Light | 7-25 |
| Circuit Breakers and Fuses | 7-26 |
| Ground Service Plug Receptacle | 7-26 |
| Lighting Systems | 7-27 |
| Exterior Lighting | 7-27 |
| Interior Lighting | 7-27 |
| Cabin Heating, Ventilating and Defrosting System | 7-28 |
| Pitot-Static System and Instruments | 7-30 |
| Airspeed Indicator | 7-31 |
| Rate-of-Climb Indicator | 7-31 |
| Altimeter | 7-31 |
| Vacuum System and Instruments | 7-31 |
| Attitude Indicator | 7-33 |
| Directional Indicator | 7-33 |
| Suction Gage | 7-33 |
| Stall Warning System | 7-33 |
| Avionics Support Equipment | 7-34 |
| Audio Control Panel. | 7-34 |
| Transmitter Selector Switch | 7-34 |
| Automatic Audio Selector Switch | 7-34 |
| Audio Selector Switches | 7-36 |
| Microphone - Headset | 7-36 |
| Static Dischargers | 7-37 |

INTRODUCTION

This section provides description and operation of the airplane and its systems. Some equipment described herein is optional and may not be installed in the airplane. Refer to Section 9, Supplements, for details of other optional systems and equipment.

AIRFRAME

The construction of the fuselage is a conventional formed sheet metal bulkhead, stringer, and skin design referred to as semi-monocoque. Major items of structure are the front and rear carry-through spars to which the wings are attached, a bulkhead and forgings for main landing gear attachment at the base of the rear doorposts, and a bulkhead with attaching plates at the base of the forward doorposts for the lower attachment of the wing struts. Four engine mount stringers are also attached to the forward doorposts and extend forward to the firewall.

The externally braced wings, containing the fuel tanks, are constructed of a front and rear spar with formed sheet metal ribs, doublers, and stringers. The entire structure is covered with aluminum skin. The front spars are equipped with wing-to-fuselage and wing-to-strut attach fittings. The aft spars are equipped with wing-to-fuselage attach fittings, and are partial-span spars. Conventional hinged ailerons and single-slot type flaps are attached to the trailing edge of the wings. The ailerons are constructed of a forward spar containing a balance weight, formed sheet metal ribs and "V" type corrugated aluminum skin joined together at the trailing edge. The flaps are constructed basically the same as the ailerons, with the exception of the balance weight and the addition of a formed sheet metal leading edge section.

The empennage (tail assembly) consists of a conventional vertical stabilizer, rudder, horizontal stabilizer, and elevator. The vertical stabilizer consists of a spar, formed sheet metal ribs and reinforcements, a wrap-around skin panel, formed leading edge skin, and a dorsal. The rudder is constructed of a formed leading edge skin containing hinge halves, a center wrap-around skin panel, ribs, an aft wrap-around skin panel which is joined at the trailing edge of the rudder by a filler strip, and a ground adjustable trim tab at the base of the trailing edge. The top of the rudder incorporates a leading edge extension which contains a balance weight. The horizontal stabilizer is constructed of a forward and aft spar, ribs and stiffeners, center, left, and right wrap-around skin panels, and formed leading edge skins. The horizontal stabilizer also contains the elevator trim tab actuator. Construction of the elevator consists of formed leading edge skins, a forward spar, aft channel, ribs, torque tube and

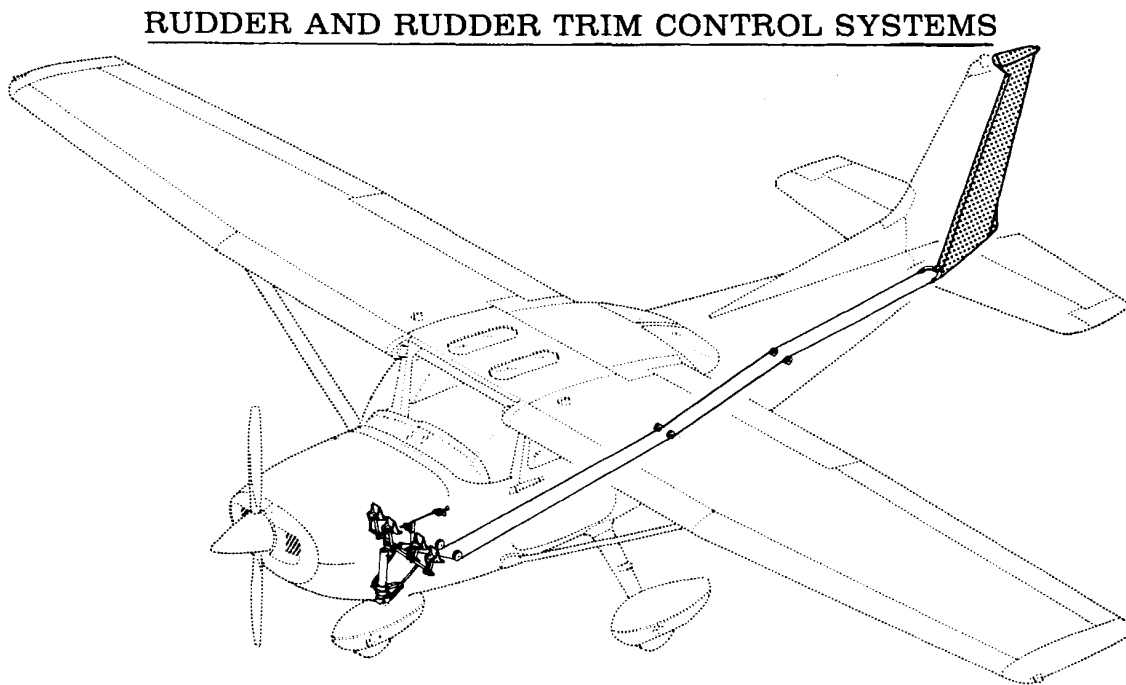
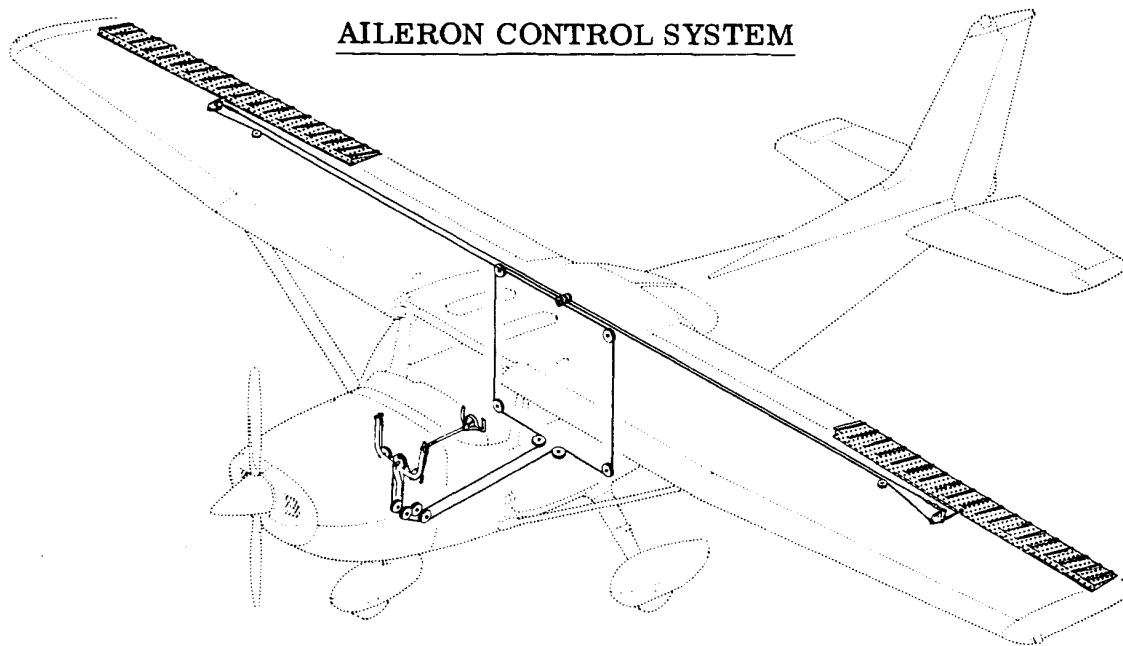
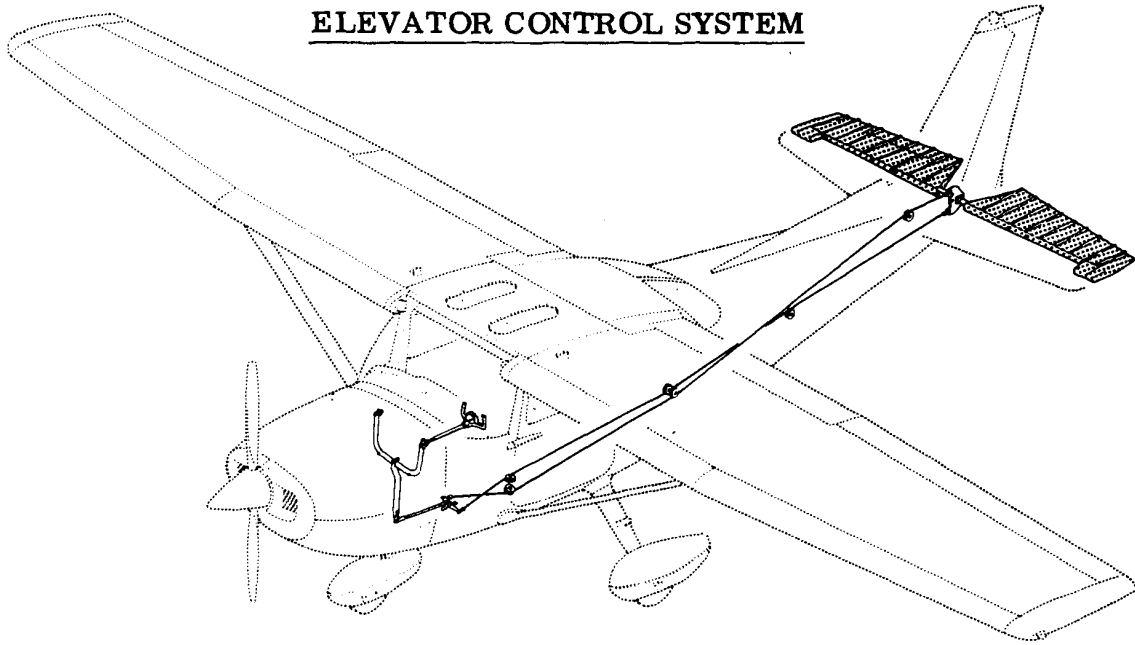


Figure 7-1. Flight Control and Trim Systems (Sheet 1 of 2)

ELEVATOR CONTROL SYSTEM



ELEVATOR TRIM CONTROL SYSTEM

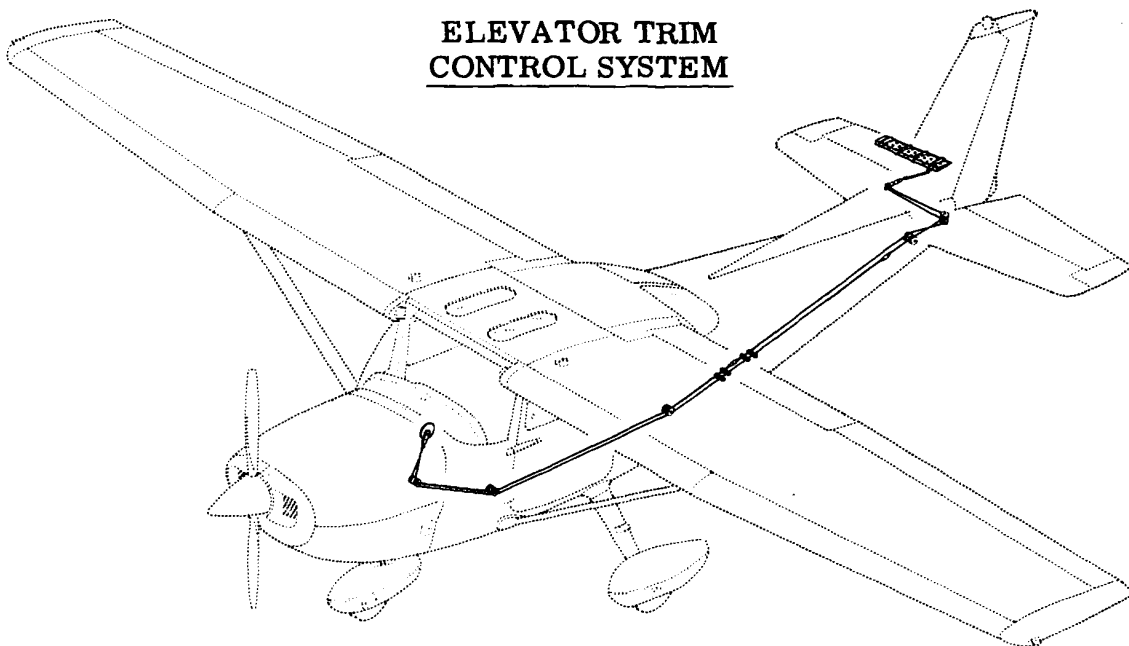


Figure 7-1. Flight Control and Trim Systems (Sheet 2 of 2)

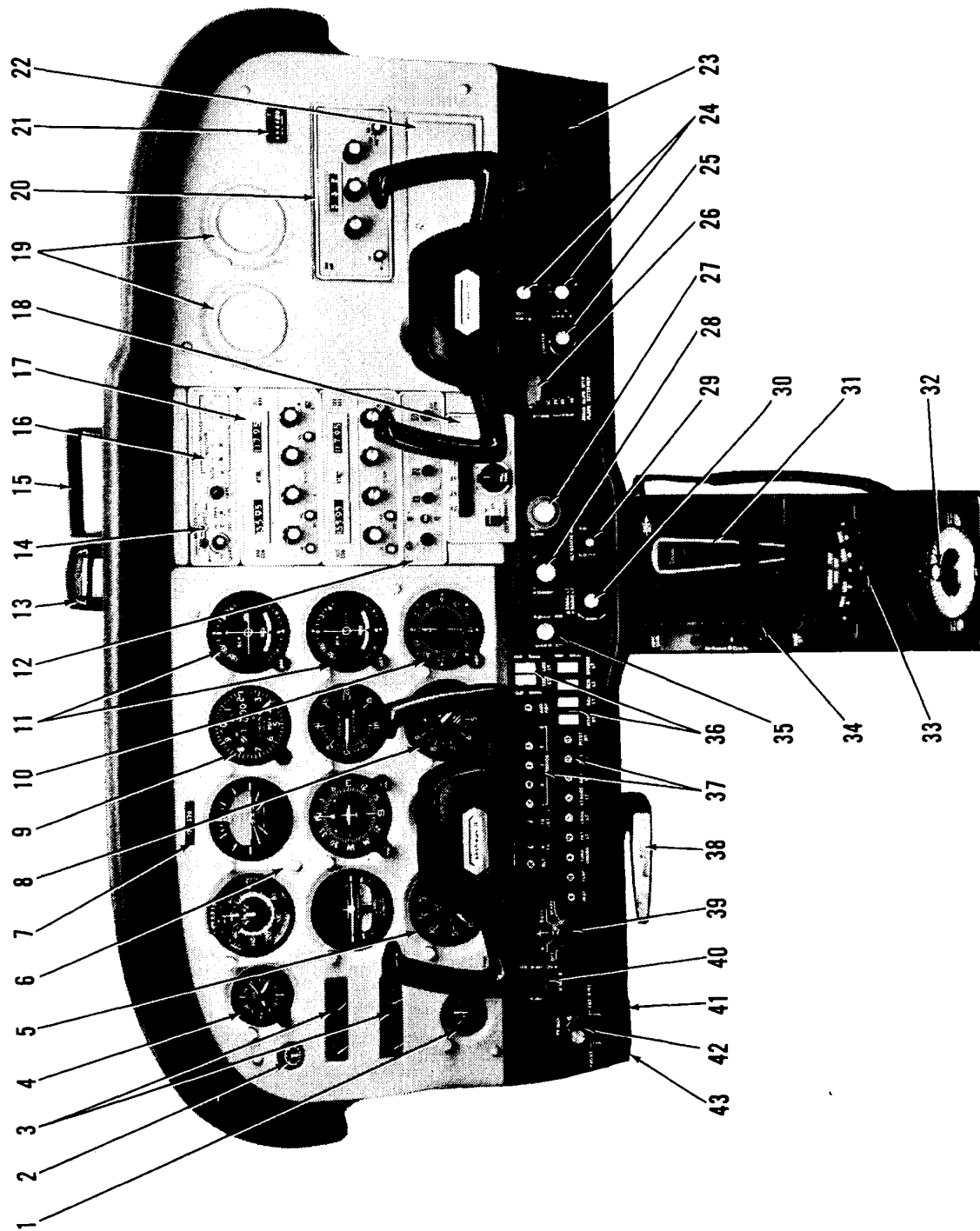


Figure 7-2. Instrument Panel (Sheet 1 of 2)

- | | | | |
|-----|---|-----|--|
| 1. | Ammeter | 23. | Map Compartment |
| 2. | Suction Gage | 24. | Cabin Heat and Air Control Knobs |
| 3. | Oil Temperature, Oil Pressure, and Left and Right Fuel Quantity Indicators | 25. | Cigar Lighter |
| 4. | Clock | 26. | Wing Flap Switch and Position Indicator |
| 5. | Tachometer | 27. | Mixture Control Knob |
| 6. | Flight Instrument Group | 28. | Throttle (With Friction Lock) |
| 7. | Airplane Registration Number | 29. | Static Pressure Alternate Source Valve |
| 8. | Secondary Altimeter | 30. | Instrument and Radio Dial Light Rheostats |
| 9. | Encoding Altimeter | 31. | Microphone |
| 10. | ADF Bearing Indicator | 32. | Fuel Selector Valve Handle |
| 11. | Omni Course Indicators | 33. | Rudder Trim Control Lever |
| 12. | Transponder | 34. | Elevator Trim Control Wheel |
| 13. | Magnetic Compass | 35. | Carburetor Heat Control Knob |
| 14. | Marker Beacon Indicator Lights and Switches | 36. | Electrical Switches |
| 15. | Rear View Mirror | 37. | Circuit Breakers |
| 16. | Audio Control Panel | 38. | Parking Brake Handle |
| 17. | Radios | 39. | Ignition Switch |
| 18. | Autopilot Control Unit | 40. | Master Switch |
| 19. | Additional Instrument Space | 41. | Auxiliary Mike Jack |
| 20. | ADF Radio | 42. | Primer |
| 21. | Flight Hour Recorder | 43. | Phone Jack |
| 22. | Additional Radio Space | | |

Figure 7-2. Instrument Panel (Sheet 2 of 2)

bellcrank, left upper and lower "V" type corrugated skins, and right upper and lower "V" type corrugated skins incorporating a trailing edge cut-out for the trim tab. The elevator trim tab consists of a spar, rib, and upper and lower "V" type corrugated skins. The leading edge of both left and right elevator tips incorporate extensions which contain balance weights.

FLIGHT CONTROLS

The airplane's flight control system consists of conventional aileron, rudder, and elevator control surfaces (see figure 7-1). The control surfaces are manually operated through mechanical linkage using a control wheel for the ailerons and elevator, and rudder/brake pedals for the rudder.

TRIM SYSTEM

A manually-operated elevator trim system is provided; a rudder trim system may also be installed (see figure 7-1). Elevator trimming is accomplished through the elevator trim tab by utilizing the vertically mounted trim control wheel. Forward rotation of the trim wheel will trim nose-down; conversely, aft rotation will trim nose-up. Rudder trimming is accomplished through a bungee connected to the rudder control system and a trim lever, mounted on the control pedestal. Rudder trimming is accomplished by lifting the trim lever up to clear a detent, then moving it either left or right to the desired trim position. Moving the trim lever to the right will trim the airplane nose-right; conversely, moving the lever to the left will trim the airplane nose-left.

INSTRUMENT PANEL

The instrument panel (see figure 7-2) is designed around the basic "T" configuration. The gyros are located immediately in front of the pilot, and arranged vertically over the control column. The airspeed indicator and altimeter are located to the left and right of the gyros, respectively. The remainder of the flight instruments are located around the basic "T". Engine instruments and fuel quantity indicators are near the left edge of the panel. Avionics equipment is stacked approximately on the centerline of the panel, with the right side of the panel containing space for additional instruments and avionics equipment. A subpanel under the primary instrument panel contains the primer, master and ignition switches, circuit breakers, and electrical switches on the left side, with the engine controls, light intensity controls, and alternate static air control in the center, over the control

pedestal. The right side of the subpanel contains the wing flap switch lever and position indicator, cabin heat and vent controls, cigar lighter, and map compartment. A pedestal, installed below the subpanel, contains the elevator trim control wheel and position indicator, and provides a bracket for the microphone. A rudder trim control lever may be installed below the trim wheel and microphone bracket, and the fuel selector valve handle is located at the base of the pedestal. A parking brake handle is mounted below the subpanel in front of the pilot.

For details concerning the instruments, switches, circuit breakers, and controls on this panel, refer in this section to the description of the systems to which these items are related.

GROUND CONTROL

Effective ground control while taxiing is accomplished through nose wheel steering by using the rudder pedals; left rudder pedal to steer left and right rudder pedal to steer right. When a rudder pedal is depressed, a spring-loaded steering bungee (which is connected to the nose gear and to the rudder bars) will turn the nose wheel through an arc of approximately 10° each side of center. By applying either left or right brake, the degree of turn may be increased up to 30° each side of center.

Moving the airplane by hand is most easily accomplished by attaching a tow bar to the nose gear strut. If a tow bar is not available, or pushing is required, use the wing struts as push points. Do not use the vertical or horizontal surfaces to move the airplane. If the airplane is to be towed by vehicle, never turn the nose wheel more than 30° either side of center or structural damage to the nose gear could result.

The minimum turning radius of the airplane, using differential braking and nose wheel steering during taxi, is approximately 27 feet 5 1/2 inches. To obtain a minimum radius turn during ground handling, the airplane may be rotated around either main landing gear by pressing down on a tailcone bulkhead just forward of the horizontal stabilizer to raise the nose wheel off the ground.

WING FLAP SYSTEM

The wing flaps are of the single-slot type (see figure 7-3), and are extended or retracted by positioning the wing flap switch lever on the instrument panel to the desired flap deflection position. The switch lever is moved up or down in a slotted panel that provides mechanical stops at the 10° and 20° positions. For flap settings greater than 10° .

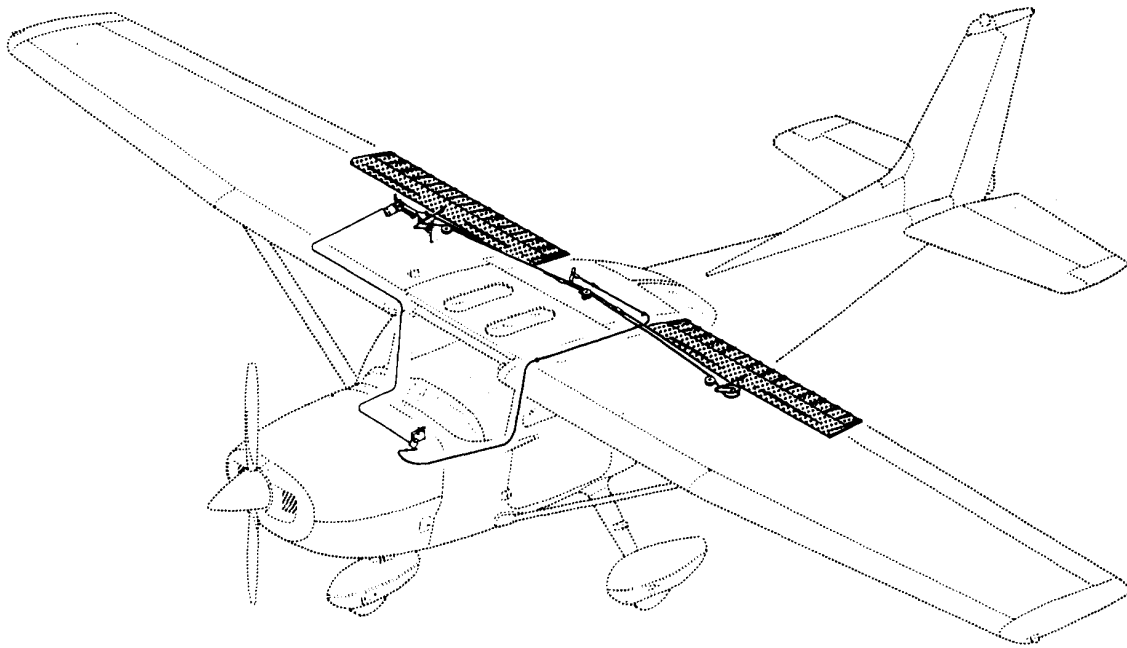


Figure 7-3. Wing Flap System

move the switch lever to the right to clear the stop and position it as desired. A scale and pointer on the left side of the switch lever indicates flap travel in degrees. The wing flap system circuit is protected by a 15 ampere circuit breaker, labeled FLAP, on the left side of the instrument panel.

LANDING GEAR SYSTEM

The landing gear is of the tricycle type with a steerable nose wheel, two main wheels, and wheel fairings. Shock absorption is provided by the tubular spring-steel main landing gear struts and the air/oil nose gear shock strut. Each main gear wheel is equipped with a hydraulically actuated disc-type brake on the inboard side of each wheel, and an aerodynamic fairing over each brake.

BAGGAGE COMPARTMENT

The baggage compartment consists of two areas, one extending from the back of the rear passenger seats to the aft cabin bulkhead, and an additional area aft of the bulkhead. Access to both baggage areas is gained through a lockable baggage door on the left side of the airplane, or from within the airplane cabin. A baggage net with eight tie-down straps is pro-

vided for securing baggage and is attached by tying the straps to tie-down rings provided in the airplane. When loading the airplane, children should not be placed or permitted in the baggage compartment, unless a child's seat is installed, and any material that might be hazardous to the airplane or occupants should not be placed anywhere in the airplane. For baggage area and door dimensions, refer to Section 6.

SEATS

The seating arrangement consists of two separate adjustable seats for the pilot and front passenger, a split-backed fixed seat in the rear, and a child's seat (if installed) aft of the rear seats. The pilot's and front passenger's seats are available in two different designs: four-way and six-way adjustable.

Four-way seats may be moved forward or aft, and the seat back angle changed. To position either seat, lift the tubular handle under the center of the seat, slide the seat into position, release the handle, and check that the seat is locked in place. The seat back is spring-loaded to the vertical position. To adjust its position, lift the lever under the right front corner of the seat, reposition the back, release the lever, and check that the back is locked in place. The seat backs will also fold full forward.

The six-way seats may be moved forward or aft, adjusted for height, and the seat back angle is infinitely adjustable. Position the seat by lifting the tubular handle, under the center of the seat bottom, and slide the seat into position; then release the lever and check that the seat is locked in place. Raise or lower the seat by rotating a large crank under the right corner of the left seat and the left corner of the right seat. Seat back angle is adjustable by rotating a small crank under the left corner of the left seat and the right corner of the right seat. The seat bottom angle will change as the seat back angle changes, providing proper support. The seat backs will also fold full forward.

The rear passenger's seats consist of a fixed one-piece seat bottom with individually adjustable seat backs. Two adjustment levers, under the left and right corners of the seat bottom, are used to adjust the angle of the respective seat backs. To adjust either seat back, lift the adjustment lever and reposition the back. The seat backs are spring-loaded to the vertical position.

A child's seat may be installed aft of the rear passenger seats, and is held in place by two brackets mounted on the floorboard. The seat is designed to swing upward into a stowed position against the aft cabin bulkhead when not in use. To stow the seat, rotate the seat bottom up and aft

as far as it will go. When not in use, the seat should be stowed.

Headrests are available for any of the seat configurations except the child's seat. To adjust the headrest, apply enough pressure to it to raise or lower it to the desired level. The headrest may be removed at any time by raising it until it disengages from the top of the seat back.

SEAT BELTS AND SHOULDER HARNESSSES

All seat positions are equipped with seat belts (see figure 7-4). The pilot's and front passenger's seats are also equipped with separate shoulder harnesses; shoulder harnesses are available for the rear seat positions. Integrated seat belt/shoulder harnesses with inertia reels can be furnished for the pilot's and front passenger's seat positions, if desired.

SEAT BELTS

All of the seat belts are attached to fittings on the floorboard. The buckle half is inboard of each seat and the link half is outboard of each seat.

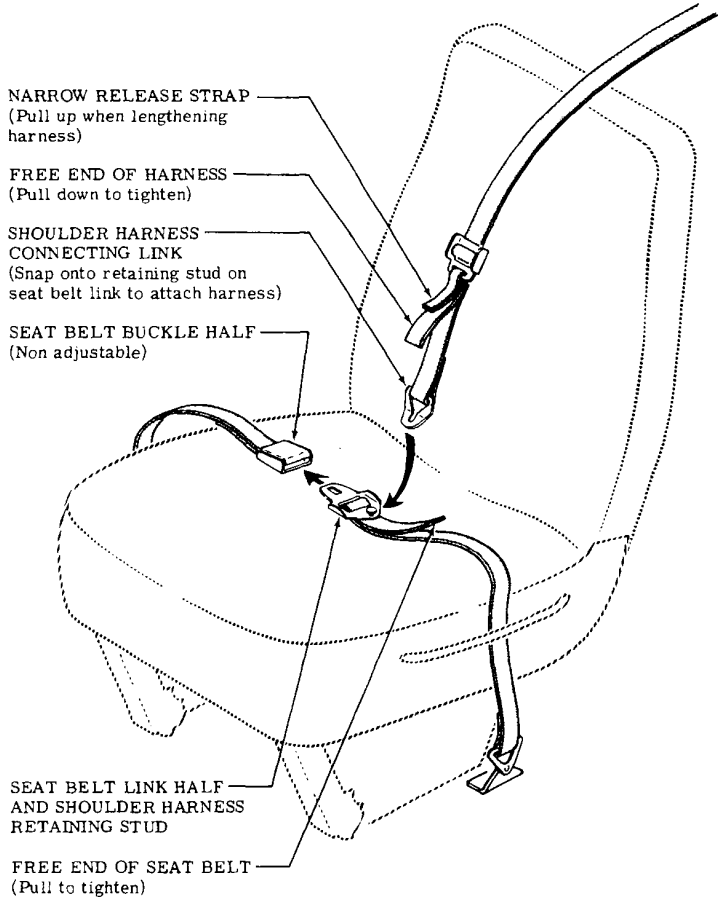
To use the seat belts for the front seats, position the seat as desired, and then lengthen the link half of the belt as needed by grasping the sides of the link and pulling against the belt. Insert and lock the belt link into the buckle. Tighten the belt to a snug fit. Seat belts for the rear seats and the child's seat (if installed) are used in the same manner as the belts for the front seats. To release the seat belts, grasp the top of the buckle opposite the link and pull outward.

SHOULDER HARNESSSES

Each front seat shoulder harness (see figure 7-4) is attached to a rear door post above the window line and is stowed behind a stowage sheath above the cabin door. To stow the harness, fold it and place it behind the sheath. The rear seat shoulder harnesses are attached adjacent to the lower corners of the rear window. Each rear seat harness is stowed behind a stowage sheath above an aft side window. No harness is available for the child's seat.

To use a front or rear seat shoulder harness fasten and adjust the seat belt first. Lengthen the harness as required by pulling on the connecting link on the end of the harness and the narrow release strap. Snap the connecting link firmly onto the retaining stud on the seat belt link half. Then adjust to length. A properly adjusted harness will permit the occupant to lean forward enough to sit completely erect,

STANDARD SHOULDER
HARNESS



(PILOT'S SEAT SHOWN)

SEAT BELT/SHOULDER
HARNESS WITH INERTIA
REEL

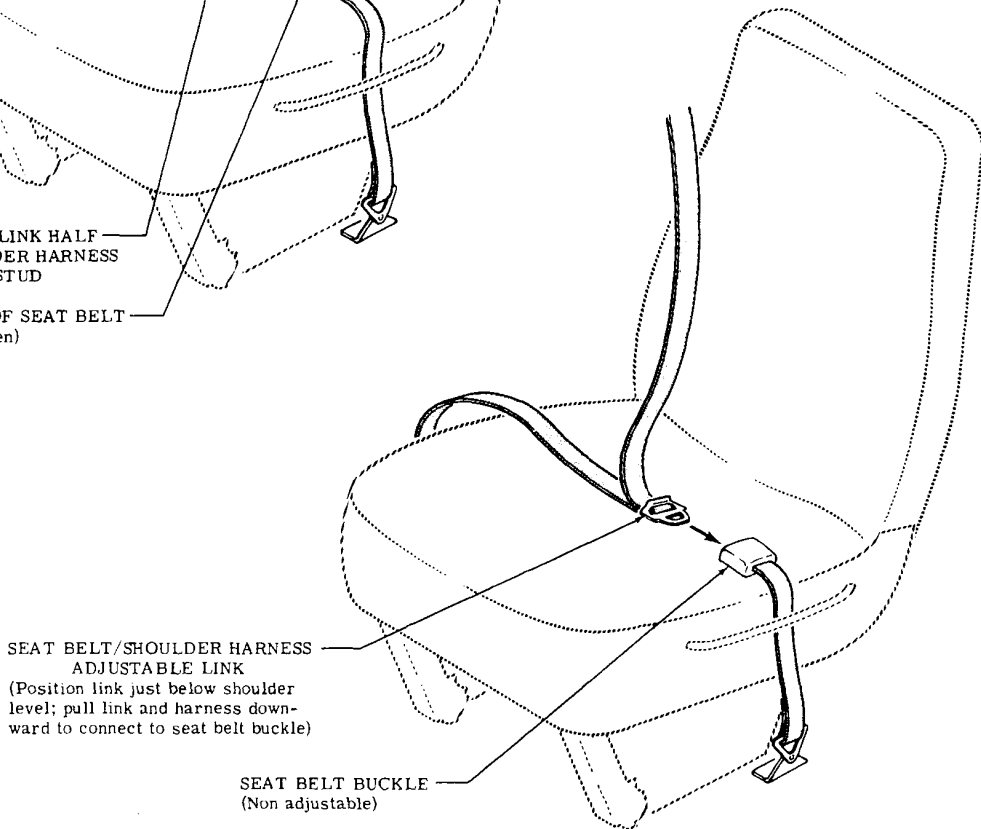


Figure 7-4. Seat Belts and Shoulder Harnesses

but prevent excessive forward movement and contact with objects during sudden deceleration. Also, the pilot will want the freedom to reach all controls easily.

Removing the shoulder harness is accomplished by pulling upward on the narrow release strap, and removing the harness connecting link from the stud on the seat belt link. In an emergency, the shoulder harness may be removed by releasing the seat belt first, and allowing the harness, still attached to the link half of the seat belt, to drop to the side of the seat.

INTEGRATED SEAT BELT/SHOULDER HARNESES WITH INERTIA REELS

Integrated seat belt/shoulder harnesses with inertia reels are available for the pilot and front seat passenger. The seat belt/shoulder harnesses extend from inertia reels located in the cabin ceiling to attach points inboard of the two front seats. A separate seat belt half and buckle is located outboard of the seats. Inertia reels allow complete freedom of body movement. However, in the event of a sudden deceleration, they will lock automatically to protect the occupants.

NOTE

The inertia reels are located for maximum shoulder harness comfort and safe retention of the seat occupants. This location requires that the shoulder harnesses cross near the top so that the right hand inertia reel serves the pilot and the left hand reel serves the front passenger. When fastening the harness, check to ensure the proper harness is being used.

To use the seat belt/shoulder harness, position the adjustable metal link on the harness just below shoulder level, pull the link and harness downward, and insert the link into the seat belt buckle. Adjust belt tension across the lap by pulling upward on the shoulder harness. Removal is accomplished by releasing the seat belt buckle, which will allow the inertia reel to pull the harness inboard of the seat.

ENTRANCE DOORS AND CABIN WINDOWS

Entry to, and exit from the airplane is accomplished through either of two entry doors, one on each side of the cabin at the front seat positions (refer to Section 6 for cabin and cabin door dimensions). The doors incorporate a recessed exterior door handle, a conventional interior door handle, a key-operated door lock (left door only), a door stop mechanism,

and an openable window in the left door. An openable right door window is also available.

To open the doors from outside the airplane, utilize the recessed door handle near the aft edge of either door by grasping the forward edge of the handle and pulling outboard. To close or open the doors from inside the airplane, use the combination door handle and arm rest. The inside door handle has three positions and a placard at its base which reads OPEN, CLOSE, and LOCK. The handle is spring-loaded to the CLOSE (up) position. When the door has been pulled shut and latched, lock it by rotating the door handle forward to the LOCK position (flush with the arm rest). When the handle is rotated to the LOCK position, an over-center action will hold it in that position. Both cabin doors should be locked prior to flight, and should not be opened intentionally during flight.

NOTE

Accidental opening of a cabin door in flight due to improper closing does not constitute a need to land the airplane. The best procedure is to set up the airplane in a trimmed condition at approximately 75 knots, momentarily shove the door outward slightly, and forcefully close and lock the door.

Exit from the airplane is accomplished by rotating the door handle from the LOCK position, past the CLOSE position, aft to the OPEN position and pushing the door open. To lock the airplane, lock the right cabin door with the inside handle, close the left cabin door, and using the ignition key, lock the door.

The left cabin door is equipped with an openable window which is held in the closed position by a lock button equipped over-center latch on the lower edge of the window frame. To open the window, depress the lock button and rotate the latch upward. The window is equipped with a spring-loaded retaining arm which will help rotate the window outward and hold it there. An openable window is also available for the right door, and functions in the same manner as the left window. If required, either window may be opened at any speed up to 160 knots. The cabin top windows (if installed), rear side windows, and rear windows are of the fixed type and cannot be opened.

CONTROL LOCKS

A control lock is provided to lock the ailerons and elevator control

surfaces in a neutral position and prevent damage to these systems by wind buffeting while the airplane is parked. The lock consists of a shaped steel rod with a red metal flag attached to it. The flag is labeled CONTROL LOCK, REMOVE BEFORE STARTING ENGINE. To install the control lock, align the hole in the top of the pilot's control wheel shaft with the hole in the top of the shaft collar on the instrument panel and insert the rod into the aligned holes. Proper installation of the lock will place the red flag over the ignition switch. In areas where high or gusty winds occur, a control surface lock should be installed over the vertical stabilizer and rudder. The control lock and any other type of locking device should be removed prior to starting the engine.

ENGINE

The airplane is powered by a horizontally-opposed, four-cylinder, overhead-valve, air-cooled, carbureted engine with a wet sump oil system. The engine is a Lycoming Model O-320-H2AD and is rated at 160 horsepower at 2700 RPM. Major accessories include a starter and belt-driven alternator mounted on the front of the engine, and dual magnetos and a vacuum pump which are mounted on an accessory drive pad on the rear of the engine. Provisions are also made for a full flow oil filter.

ENGINE CONTROLS

Engine power is controlled by a throttle located on the lower center portion of the instrument panel. The throttle operates in a conventional manner; in the full forward position, the throttle is open, and in the full aft position, it is closed. A friction lock, which is a round knurled disk, is located at the base of the throttle and is operated by rotating the lock clockwise to increase friction or counterclockwise to decrease it.

The mixture control, mounted above the right corner of the control pedestal, is a red knob with raised points around the circumference and is equipped with a lock button in the end of the knob. The rich position is full forward, and full aft is the idle cut-off position. For small adjustments, the control may be moved forward by rotating the knob clockwise, and aft by rotating the knob counterclockwise. For rapid or large adjustment, the knob may be moved forward or aft by depressing the lock button in the end of the control, and then positioning the control as desired.

ENGINE INSTRUMENTS

Engine operation is monitored by the following instruments: oil

pressure gage, oil temperature gage, and a tachometer. A carburetor air temperature gage is also available.

The oil pressure gage, located on the left side of the instrument panel, is operated by oil pressure. A direct pressure oil line from the engine delivers oil at engine operating pressure to the oil pressure gage. Gage markings indicate that minimum idling pressure is 25 PSI (red line), the normal operating range is 60 to 90 PSI (green arc), and maximum pressure is 100 PSI (red line).

Oil temperature is indicated by a gage adjacent to the oil pressure gage. The gage is operated by an electrical-resistance type temperature sensor which receives power from the airplane electrical system. Oil temperature limitations are the normal operating range (green arc) which is 38°C (100°F) to 118°C (245°F), and the maximum (red line) which is 118°C (245°F).

The engine-driven mechanical tachometer is located near the lower portion of the instrument panel to the left of the pilot's control wheel. The instrument is calibrated in increments of 100 RPM and indicates both engine and propeller speed. An hour meter below the center of the tachometer dial records elapsed engine time in hours and tenths. Instrument markings include a normal operating range (green arc) of 2200 to 2700 RPM, and a maximum (red line) of 2700 RPM.

A carburetor air temperature gage may be installed on the right side of the instrument panel to help detect carburetor icing conditions. The gage is marked in 5° increments from -30°C to +30°C, and has a yellow arc between -15°C and +5°C which indicates the temperature range most conducive to icing in the carburetor. A placard on the lower half of the gage face reads KEEP NEEDLE OUT OF YELLOW ARC DURING POSSIBLE CARBURETOR ICING CONDITIONS.

NEW ENGINE BREAK-IN AND OPERATION

The engine underwent a run-in at the factory and is ready for the full range of use. It is, however, suggested that cruising be accomplished at 65% to 75% power until a total of 50 hours has accumulated or oil consumption has stabilized. This will ensure proper seating of the rings.

The airplane is delivered from the factory with corrosion preventive oil in the engine. If, during the first 25 hours, oil must be added, use only aviation grade straight mineral oil conforming to Specification No. MIL-L-6082.

ENGINE OIL SYSTEM

Oil for engine lubrication is supplied from a sump on the bottom of the engine. The capacity of the engine sump is six quarts (one additional quart is required if a full flow oil filter is installed). Oil is drawn from the sump through an oil suction strainer screen into the engine-driven oil pump. From the pump, oil is routed to a bypass valve. If the oil is cold, the bypass valve allows the oil to bypass the oil cooler and go directly from the pump to the oil pressure screen (full flow oil filter if installed). If the oil is hot, the bypass valve routes the oil out of the accessory housing and into a flexible hose leading to the oil cooler on the lower right side of the firewall. Pressure oil from the cooler returns to the accessory housing where it passes through the pressure strainer screen (full flow oil filter, if installed). The filtered oil then enters a pressure relief valve which regulates engine oil pressure by allowing excessive oil to return to the sump, while the balance of the pressure oil is circulated to various engine parts for lubrication. Residual oil is returned to the sump by gravity flow.

An oil filler cap/oil dipstick is located at the rear of the engine near the center. The filler cap/dipstick is accessible through an access door in the engine cowling. The engine should not be operated on less than four quarts of oil. To minimize loss of oil through the breather, fill to five quarts for normal flights of less than three hours. For extended flight, fill to six quarts (dipstick indication only). For engine oil grade and specifications, refer to Section 8 of this handbook.

An oil quick-drain valve is available to replace the drain plug on the bottom of the oil sump, and provides quicker, cleaner draining of the engine oil. To drain the oil with this valve, slip a hose over the end of the valve and push upward on the end of the valve until it snaps into the open position. Spring clips will hold the valve open. After draining, use a suitable tool to snap the valve into the extended (closed) position and remove the drain hose.

IGNITION-STARTER SYSTEM

Engine ignition is provided by an engine-driven dual magneto, and two spark plugs in each cylinder. The right magneto fires the lower right and upper left spark plugs, and the left magneto fires the lower left and upper right spark plugs. Normal operation is conducted with both magnetos due to the more complete burning of the fuel-air mixture with dual ignition.

Ignition and starter operation is controlled by a rotary type switch located on the left switch and control panel. The switch is labeled clock-

wise, OFF, R, L, BOTH, and START. The engine should be operated on both magnetos (BOTH position) except for magneto checks. The R and L positions are for checking purposes and emergency use only. When the switch is rotated to the spring-loaded START position, (with the master switch in the ON position), the starter contactor is energized and the starter will crank the engine. When the switch is released, it will automatically return to the BOTH position.

AIR INDUCTION SYSTEM

The engine air induction system receives ram air through an intake in the lower front portion of the engine cowling. The intake is covered by an air filter which removes dust and other foreign matter from the induction air. Airflow passing through the filter enters an air box. After passing through the airbox, induction air enters the inlet in the carburetor which is under the engine, and is then ducted to the engine cylinders through intake manifold tubes. In the event carburetor ice is encountered or the intake filter becomes blocked, alternate heated air can be obtained from a shroud around an exhaust riser through a duct to a valve, in the airbox, operated by the carburetor heat control on the instrument panel. Heated air from the shroud is obtained from an unfiltered outside source. Use of full carburetor heat at full throttle will result in a loss of approximately 100 to 225 RPM.

EXHAUST SYSTEM

Exhaust gas from each cylinder passes through riser assemblies to a muffler and tailpipe. The muffler is constructed with a shroud around the outside which forms a heating chamber for cabin heater air.

CARBURETOR AND PRIMING SYSTEM

The engine is equipped with an up-draft, float-type, fixed jet carburetor mounted on the bottom of the engine. The carburetor is equipped with an enclosed accelerator pump, simplified fuel passages to prevent vapor locking, an idle cut-off mechanism, and a manual mixture control. Fuel is delivered to the carburetor by gravity flow from the fuel system. In the carburetor, fuel is atomized, proportionally mixed with intake air, and delivered to the cylinders through intake manifold tubes. The proportion of atomized fuel to air is controlled, within limits, by the mixture control on the instrument panel.

For easy starting in cold weather, the engine is equipped with a manual primer. The primer is actually a small pump which draws fuel from the fuel strainer when the plunger is pulled out, and injects it into the cylinder intake ports when the plunger is pushed back in. The plunger knob, on

the instrument panel, is equipped with a lock and, after being pushed full in, must be rotated either left or right until the knob cannot be pulled out.

COOLING SYSTEM

Ram air for engine cooling enters through two intake openings in the front of the engine cowling. The cooling air is directed around the cylinders and other areas of the engine by baffling, and is then exhausted through an opening at the bottom aft edge of the cowling. No manual cooling system control is provided.

A winterization kit is available and consists of two baffles which attach to the air intakes in the cowling nose cap, a restrictive cover plate for the oil cooler air inlet in the right rear vertical engine baffle, insulation for the crankcase breather line, and a placard to be installed on the instrument panel. This equipment should be installed for operations in temperatures consistently below -7°C (20°F). Once installed, the crankcase breather insulation is approved for permanent use in both hot and cold weather.

PROPELLER

The airplane is equipped with a two-bladed, fixed-pitch, one-piece forged aluminum alloy propeller which is anodized to retard corrosion. The propeller is 75 inches in diameter.

FUEL SYSTEM

The airplane may be equipped with either a standard fuel system or a

| FUEL QUANTITY DATA (U. S. GALLONS) | | | |
|------------------------------------|--|---------------------------|-------------------------|
| TANKS | TOTAL USABLE FUEL ALL FLIGHT CONDITIONS | TOTAL UNUSABLE FUEL | TOTAL FUEL VOLUME |
| STANDARD (21.5 Gal. Each) | 40 | 3 | 43 |
| LONG RANGE (27 Gal. Each) | 50 | 4 | 54 |

Figure 7-5. Fuel Quantity Data

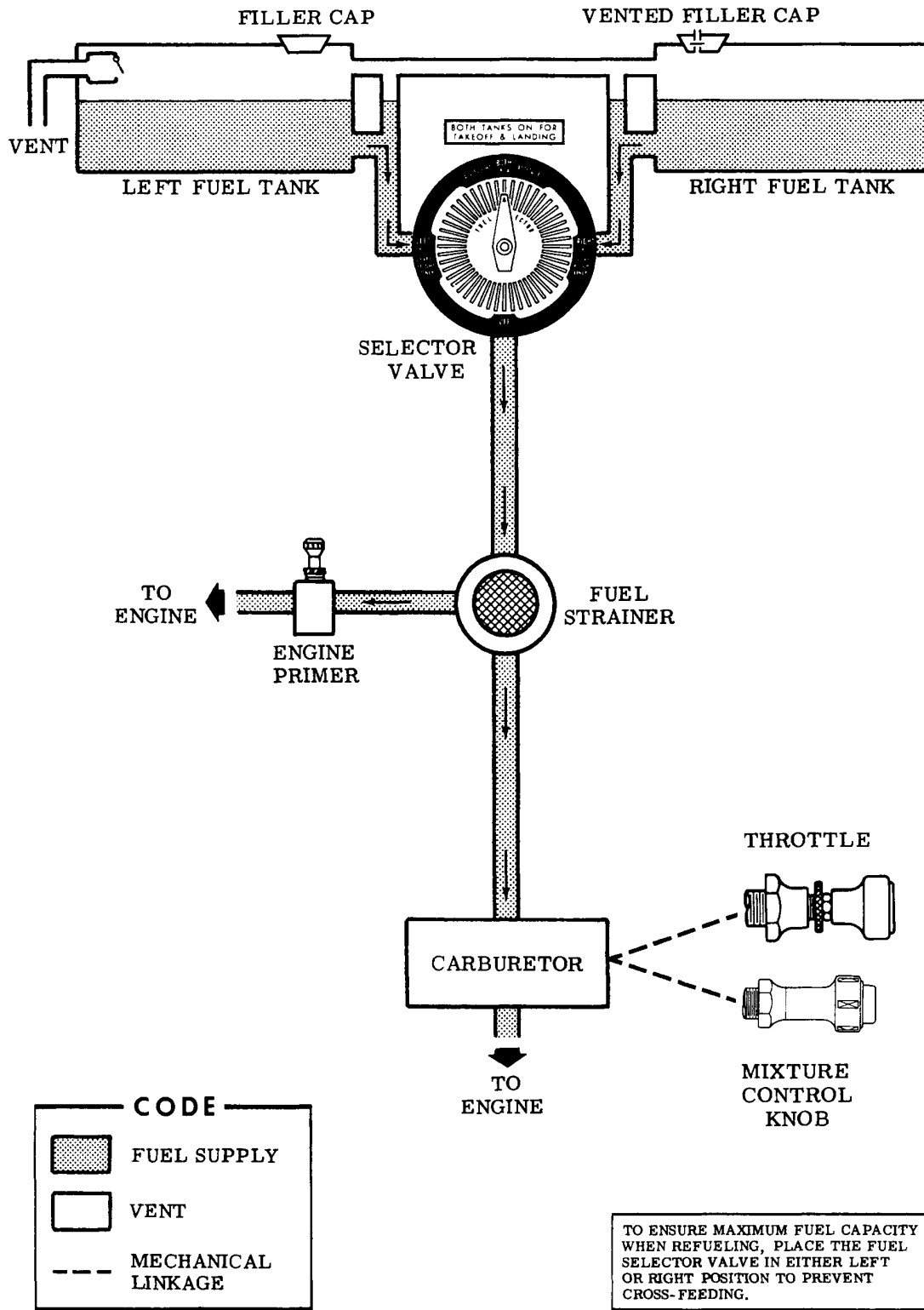


Figure 7-6. Fuel System (Standard and Long Range)

long range system (see figure 7-6). Both systems consist of two vented fuel tanks (one in each wing), a four-position selector valve, fuel strainer, manual primer, and carburetor. Refer to figure 7-5 for fuel quantity data for both systems.

Fuel flows by gravity from the two wing tanks to a four-position selector valve, labeled BOTH, RIGHT, LEFT, and OFF. With the selector valve in either the BOTH, LEFT, or RIGHT position, fuel flows through a strainer to the carburetor. From the carburetor, mixed fuel and air flows to the cylinders through intake manifold tubes. The manual primer draws its fuel from the fuel strainer and injects it into the cylinder intake ports.

Fuel system venting is essential to system operation. Blockage of the system will result in decreasing fuel flow and eventual engine stoppage. Venting is accomplished by an interconnecting line from the right fuel tank to the left tank. The left fuel tank is vented overboard through a vent line, equipped with a check valve, which protrudes from the bottom surface of the left wing near the wing strut. The right fuel tank filler cap is also vented.

Fuel quantity is measured by two float-type fuel quantity transmitters (one in each tank) and indicated by two electrically-operated fuel quantity indicators on the left side of the instrument panel. An empty tank is indicated by a red line and the letter E. When an indicator shows an empty tank, approximately 1.5 gallons remain in a standard tank, and 2 gallons remain in a long range tank as unusable fuel. The indicators cannot be relied upon for accurate readings during skids, slips, or unusual attitudes.

The fuel selector valve should be in the BOTH position for takeoff, climb, landing, and maneuvers that involve prolonged slips or skids. Operation from either LEFT or RIGHT tank is reserved for cruising flight.

NOTE

When the fuel selector valve handle is in the BOTH position in cruising flight, unequal fuel flow from each tank may occur if the wings are not maintained exactly level. Resulting wing heaviness can be alleviated gradually by turning the selector valve handle to the tank in the "heavy" wing.

NOTE

It is not practical to measure the time required to consume all of the fuel in one tank, and, after switching to the opposite tank, expect an equal duration from the remaining fuel. The airspace in both fuel tanks is inter-

connected by a vent line and, therefore, some sloshing of fuel between tanks can be expected when the tanks are nearly full and the wings are not level.

The fuel system is equipped with drain valves to provide a means for the examination of fuel in the system for contamination and grade. The system should be examined before the first flight of every day and after each refueling, by using the sampler cup provided to drain fuel from the wing tank sumps, and by utilizing the fuel strainer drain under an access panel on the right side of the engine cowling. The fuel tanks should be filled after each flight to prevent condensation.

BRAKE SYSTEM

The airplane has a single-disc, hydraulically-actuated brake on each main landing gear wheel. Each brake is connected, by a hydraulic line, to a master cylinder attached to each of the pilot's rudder pedals. The brakes are operated by applying pressure to the top of either the left (pilot's) or right (copilot's) set of rudder pedals, which are interconnected. When the airplane is parked, both main wheel brakes may be set by utilizing the parking brake which is operated by a handle under the left side of the instrument panel. To apply the parking brake, set the brakes with the rudder pedals, pull the handle aft, and rotate it 90° down.

For maximum brake life, keep the brake system properly maintained, and minimize brake usage during taxi operations and landings.

Some of the symptoms of impending brake failure are: gradual decrease in braking action after brake application, noisy or dragging brakes, soft or spongy pedals, and excessive travel and weak braking action. If any of these symptoms appear, the brake system is in need of immediate attention. If, during taxi or landing roll, braking action decreases, let up on the pedals and then re-apply the brakes with heavy pressure. If the brakes become spongy or pedal travel increases, pumping the pedals should build braking pressure. If one brake becomes weak or fails, use the other brake sparingly while using opposite rudder, as required, to offset the good brake.

ELECTRICAL SYSTEM

Electrical energy (see figure 7-7) is supplied by a 14-volt, direct-current system powered by an engine-driven, 60-amp alternator. The 12-volt, 25-amp hour battery is located on the left side of the firewall. Power is supplied to all electrical circuits through a split bus bar, one side containing electronic system circuits and the other side having general electrical system circuits. Both sides of the bus are on at all times

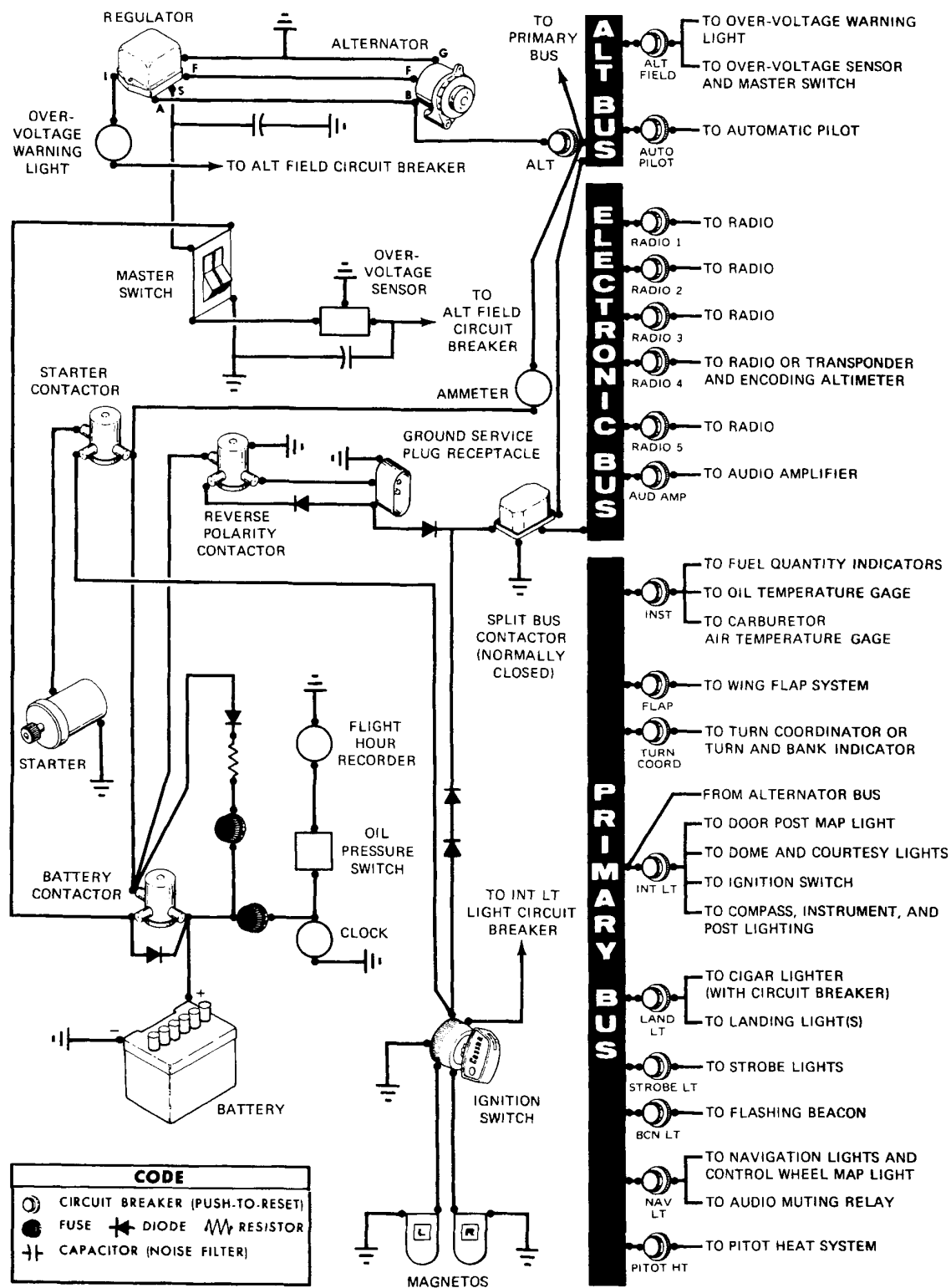


Figure 7-7. Electrical System

except when either an external power source is connected or the starter switch is turned on; then a power contactor is automatically activated to open the circuit to the electronic bus. Isolating the electronic circuits in this manner prevents harmful transient voltages from damaging the transistors in the electronic equipment.

MASTER SWITCH

The master switch is a split-rocker type switch labeled MASTER, and is ON in the up position and OFF in the down position. The right half of the switch, labeled BAT, controls all electrical power to the airplane. The left half, labeled ALT, controls the alternator.

Normally, both sides of the master switch should be used simultaneously; however, the BAT side of the switch could be turned ON separately to check equipment while on the ground. The ALT side of the switch, when placed in the OFF position, removes the alternator from the electrical system. With this switch in the OFF position, the entire electrical load is placed on the battery. Continued operation with the alternator switch in the OFF position will reduce battery power low enough to open the battery contactor, remove power from the alternator field, and prevent alternator restart.

AMMETER

The ammeter indicates the flow of current, in amperes, from the alternator to the battery or from the battery to the airplane electrical system. When the engine is operating and the master switch is turned on, the ammeter indicates the charging rate applied to the battery. In the event the alternator is not functioning or the electrical load exceeds the output of the alternator, the ammeter indicates the battery discharge rate.

OVER-VOLTAGE SENSOR AND WARNING LIGHT

The airplane is equipped with an automatic over-voltage protection system consisting of an over-voltage sensor behind the instrument panel and a red warning light, labeled HIGH VOLTAGE, adjacent to the ammeter.

In the event an over-voltage condition occurs, the over-voltage sensor automatically removes alternator field current and shuts down the alternator. The red warning light will then turn on, indicating to the pilot that the alternator is not operating and the battery is supplying all electrical power.

The over-voltage sensor may be reset by turning the master switch off and back on again. If the warning light does not illuminate, normal

alternator charging has resumed; however, if the light does illuminate again, a malfunction has occurred, and the flight should be terminated as soon as practical.

The warning light may be tested by momentarily turning off the ALT portion of the master switch and leaving the BAT portion turned on.

CIRCUIT BREAKERS AND FUSES

Most of the electrical circuits in the airplane are protected by "push-to-reset" circuit breakers mounted on the left side of the instrument panel. Exceptions to this are the battery contactor closing (external power) circuit, clock, and flight hour recorder circuits which have fuses mounted near the battery. The control wheel map light is protected by the NAV LT circuit breaker on the instrument panel, and a fuse behind the panel. The cigar lighter is protected by a manually reset circuit breaker on the back of the lighter, and by the LAND LT circuit breaker.

GROUND SERVICE PLUG RECEPTACLE

A ground service plug receptacle may be installed to permit the use of an external power source for cold weather starting and during lengthy maintenance work on the airplane electrical system (with the exception of electronic equipment). The receptacle is located behind a door on the left side of the fuselage near the aft edge of the cowling.

NOTE

Electrical power for the airplane electrical circuits is provided through a split bus bar having all electronic circuits on one side of the bus and other electrical circuits on the other side of the bus. When an external power source is connected, a contactor automatically opens the circuit to the electronic portion of the split bus bar as a protection against damage to the transistors in the electronic equipment by transient voltages from the power source. Therefore, the external power source can not be used as a source of power when checking electronic components.

Just before connecting an external power source (generator type or battery cart), the master switch should be turned on.

The ground service plug receptacle circuit incorporates a polarity reversal protection. Power from the external power source will flow only if the ground service plug is correctly connected to the airplane. If the plug is accidentally connected backwards, no power will flow to the electrical system, thereby preventing any damage to electrical equipment.

The battery and external power circuits have been designed to completely eliminate the need to "jumper" across the battery contactor to close it for charging a completely "dead" battery. A special fused circuit in the external power system supplies the needed "jumper" across the contacts so that with a "dead" battery and an external power source applied, turning on the master switch will close the battery contactor.

LIGHTING SYSTEMS

EXTERIOR LIGHTING

Conventional navigation lights are located on the wing tips and top of the rudder. A single landing light or dual landing/taxi lights are installed in the cowl nose cap, and a flashing beacon is mounted on top of the vertical fin. Additional lighting is available and includes a strobe light on each wing tip and two courtesy lights, one under each wing, just outboard of the cabin door. The courtesy lights are operated by the dome light switch on the overhead console. All exterior lights, except the courtesy lights, are controlled by rocker type switches on the left switch and control panel. The switches are ON in the up position and OFF in the down position.

The flashing beacon should not be used when flying through clouds or overcast; the flashing light reflected from water droplets or particles in the atmosphere, particularly at night, can produce vertigo and loss of orientation.

The two high intensity strobe lights will enhance anti-collision protection. However, the lights should be turned off when taxiing in the vicinity of other aircraft, or during night flight through clouds, fog or haze.

INTERIOR LIGHTING

Instrument and control panel lighting is provided by flood lighting, integral lighting, and post lighting (if installed). Two concentric rheostat control knobs below the engine controls, labeled PANEL LT and RADIO LT, control intensity of the instrument and control panel lighting. A slide-type switch (if installed) on the overhead console, labeled PANEL LTS, is used to select flood lighting in the FLOOD position, post lighting in the POST position, or a combination of post and flood lighting in the BOTH position.

Instrument and control panel flood lighting consists of a single red flood light in the forward part of the overhead console. To use the flood lighting, rotate the PANEL LT rheostat control knob clockwise to the desired intensity.

The instrument panel may be equipped with post lights which are

mounted at the edge of each instrument or control and provide direct lighting. The lights are operated by placing the PANEL LTS selector switch in the POST position and adjusting light intensity with the PANEL LT rheostat control knob. By placing the PANEL LTS selector switch in the BOTH position, the post lights can be used in combination with the standard flood lighting.

The engine instruments, fuel quantity indicators, radio equipment, and magnetic compass have integral lighting and operate independently of post or flood lighting. Light intensity of the engine instruments, fuel quantity indicators, and radio lighting is controlled by the RADIO LT rheostat control knob. The integral compass light intensity is controlled by the PANEL LT rheostat control knob.

A cabin dome light, in the aft part of the overhead console, is operated by a switch near the light. To turn the light on, move the switch to the right.

A control wheel map light is available and is mounted on the bottom of the pilot's control wheel. The light illuminates the lower portion of the cabin just forward of the pilot and is helpful when checking maps and other flight data during night operations. To operate the light, first turn on the NAV LT switch; then adjust the map light's intensity with the knurled disk type rheostat control located at the bottom of the control wheel.

A doorpost map light is available, and is located on the left forward doorpost. It contains both red and white bulbs and may be positioned to illuminate any area desired by the pilot. The light is controlled by a switch, below the light, which is labeled RED, OFF, and WHITE. Placing the switch in the top position will provide a red light. In the bottom position, standard white lighting is provided. In the center position, the map light is turned off.

The most probable cause of a light failure is a burned out bulb; however, in the event any of the lighting systems fail to illuminate when turned on, check the appropriate circuit breaker. If the circuit breaker has opened (white button popped out), and there is no obvious indication of a short circuit (smoke or odor), turn off the light switch of the affected lights, reset the breaker, and turn the switch on again. If the breaker opens again, do not reset it.

CABIN HEATING, VENTILATING AND DEFROSTING SYSTEM

The temperature and volume of airflow into the cabin can be regulated to any degree desired by manipulation of the push-pull CABIN HT and

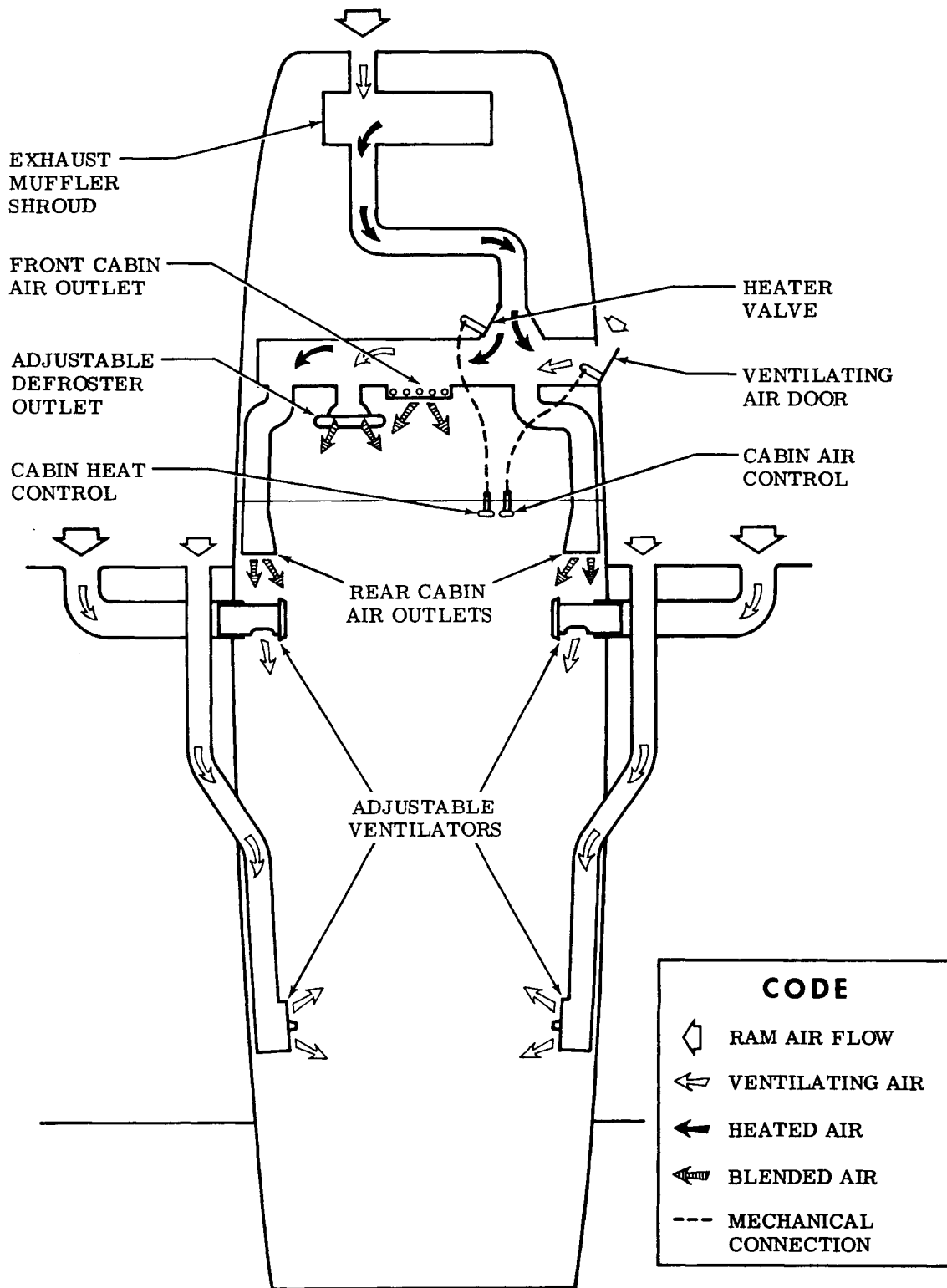


Figure 7-8. Cabin Heating, Ventilating, and Defrosting System

CABIN AIR control knobs (see figure 7-8).

For cabin ventilation, pull the CABIN AIR knob out. To raise the air temperature, pull the CABIN HT knob out approximately 1/4 to 1/2 inch for a small amount of cabin heat. Additional heat is available by pulling the knob out farther; maximum heat is available with the CABIN HT knob pulled out and the CABIN AIR knob pushed full in. When no heat is desired in the cabin, the CABIN HT knob is pushed full in.

Front cabin heat and ventilating air is supplied by outlet holes spaced across a cabin manifold just forward of the pilot's and copilot's feet. Rear cabin heat and air is supplied by two ducts from the manifold, one extending down each side of the cabin to an outlet at the front door post at floor level. Windshield defrost air is also supplied by a duct leading from the cabin manifold. Two knobs control sliding valves in the defroster outlet and permit regulation of defroster airflow.

Separate adjustable ventilators supply additional air; one near each upper corner of the windshield supplies air for the pilot and copilot, and two ventilators are available for the rear cabin area to supply air to the rear seat passengers.

PITOT-STATIC SYSTEM AND INSTRUMENTS

The pitot-static system supplies ram air pressure to the airspeed indicator and static pressure to the airspeed indicator, rate-of-climb indicator and altimeter. The system is composed of either an unheated or heated pitot tube mounted on the lower surface of the left wing, an external static port, on the lower left side of the forward fuselage, and the associated plumbing necessary to connect the instruments to the sources.

The heated pitot system consists of a heating element in the pitot tube, a rocker-type switch labeled PITOT HT on the lower left side of the instrument panel, a 10-amp circuit breaker on the switch and control panel, and associated wiring. When the pitot heat switch is turned on, the element in the pitot tube is heated electrically to maintain proper operation in possible icing conditions. Pitot heat should be used only as required.

A static pressure alternate source valve may be installed adjacent to the throttle for use when the external static source is malfunctioning. This valve supplies static pressure from inside the cabin instead of the external static port.

If erroneous instrument readings are suspected due to water or ice in the pressure line going to the standard external static pressure source,

the alternate static source valve should be pulled on.

Pressures within the cabin will vary with open cabin ventilators and windows. Refer to Sections 3 and 5 for the effect of varying cabin pressures on airspeed and altimeter readings.

AIRSPEED INDICATOR

The airspeed indicator is calibrated in knots and miles per hour. Limitation and range markings include the white arc (41 to 85 knots), green arc (47 to 128 knots), yellow arc (128 to 160 knots), and a red line (160 knots).

If a true airspeed indicator is installed, it is equipped with a rotatable ring which works in conjunction with the airspeed indicator dial in a manner similar to the operation of a flight computer. To operate the indicator, first rotate the ring until pressure altitude is aligned with outside air temperature in degrees Fahrenheit. Pressure altitude should not be confused with indicated altitude. To obtain pressure altitude, momentarily set the barometric scale on the altimeter to 29.92 and read pressure altitude on the altimeter. Be sure to return the altimeter barometric scale to the original barometric setting after pressure altitude has been obtained. Having set the ring to correct for altitude and temperature, then read the airspeed shown on the rotatable ring by the indicator pointer. For best accuracy, this indication should be corrected to calibrated airspeed by referring to the Airspeed Calibration chart in Section 5. Knowing the calibrated airspeed, read true airspeed on the ring opposite the calibrated airspeed.

RATE-OF-CLIMB INDICATOR

The rate-of-climb indicator depicts airplane rate of climb or descent in feet per minute. The pointer is actuated by atmospheric pressure changes resulting from changes of altitude as supplied by the static source.

ALTIMETER

Airplane altitude is depicted by a barometric type altimeter. A knob near the lower left portion of the indicator provides adjustment of the instrument's barometric scale to the current altimeter setting.

VACUUM SYSTEM AND INSTRUMENTS

An engine-driven vacuum system (see figure 7-9) provides the suction necessary to operate the attitude indicator and directional indicator. The

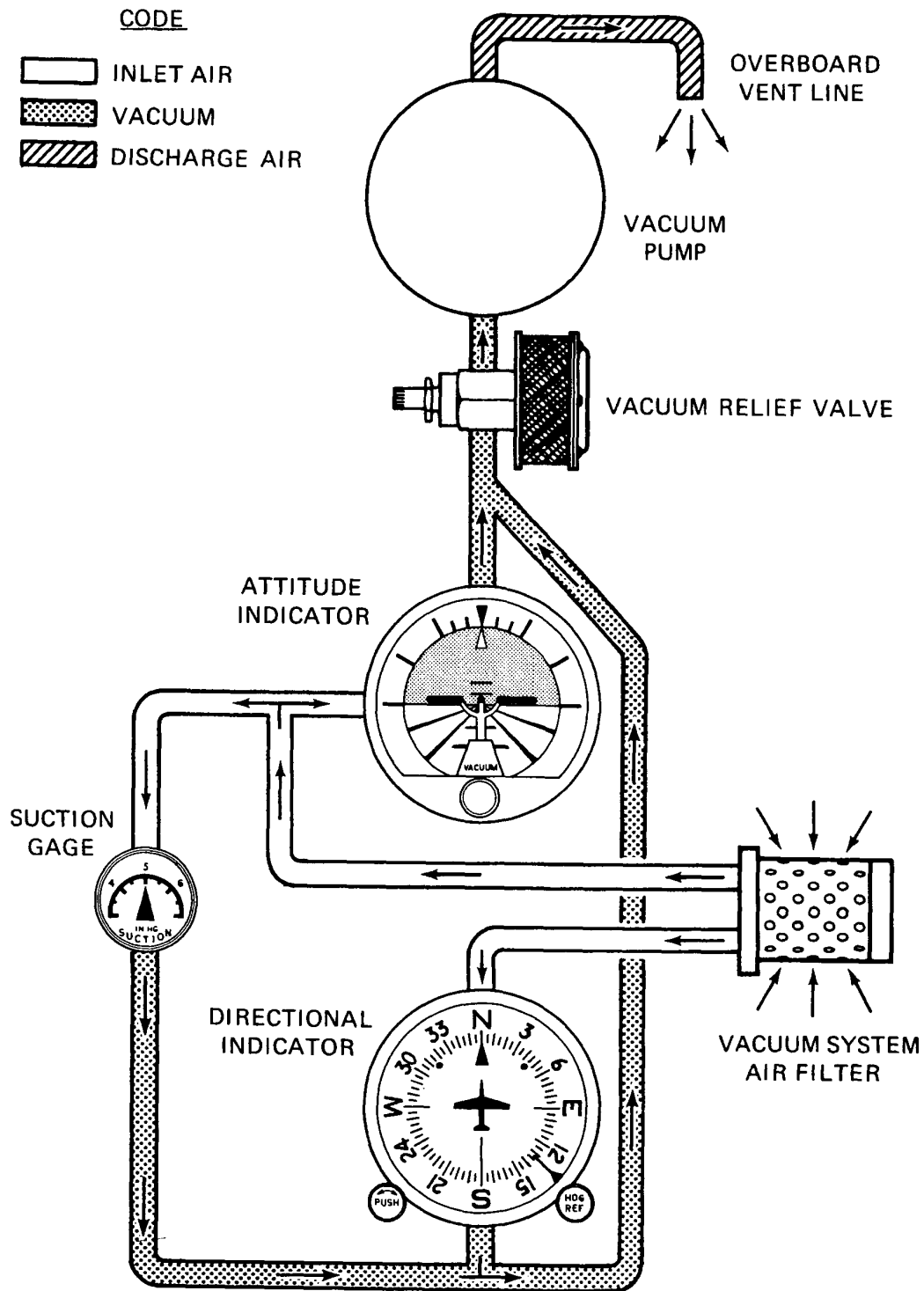


Figure 7-9. Vacuum System

system consists of a vacuum pump mounted on the engine, a vacuum relief valve and vacuum system air filter on the aft side of the firewall below the instrument panel, and instruments (including a suction gage) on the left side of the instrument panel.

ATTITUDE INDICATOR

The attitude indicator gives a visual indication of flight attitude. Bank attitude is presented by a pointer at the top of the indicator relative to the bank scale which has index marks at 10°, 20°, 30°, 60°, and 90° either side of the center mark. Pitch and roll attitudes are presented by a miniature airplane in relation to the horizon bar. A knob at the bottom of the instrument is provided for in-flight adjustment of the miniature airplane to the horizon bar for a more accurate flight attitude indication.

DIRECTIONAL INDICATOR

A directional indicator displays airplane heading on a compass card in relation to a fixed simulated airplane image and index. The indicator will precess slightly over a period of time. Therefore, the compass card should be set in accordance with the magnetic compass just prior to takeoff, and occasionally re-adjusted on extended flights. A knob on the lower left edge of the instrument is used to adjust the compass card to correct for precession.

SUCTION GAGE

The suction gage is located on the left side of the instrument panel and indicates, in inches of mercury, the amount of suction available for operation of the attitude indicator and directional indicator. The desired suction range is 4.6 to 5.4 inches of mercury. A suction reading below this range may indicate a system malfunction or improper adjustment, and in this case, the indicators should not be considered reliable.

STALL WARNING SYSTEM

The airplane is equipped with a pneumatic-type stall warning system consisting of an inlet in the leading edge of the left wing, an air-operated horn near the upper left corner of the windshield, and associated plumbing. As the airplane approaches a stall, the low pressure on the upper surface of the wings moves forward around the leading edge of the wings. This low pressure creates a differential pressure in the stall warning system which draws air through the warning horn, resulting in an audible warning at 5 to 10 knots above stall in all flight conditions.

The stall warning system should be checked during the preflight inspection by placing a clean handkerchief over the vent opening and applying suction. A sound from the warning horn will confirm that the system is operative.

AVIONICS SUPPORT EQUIPMENT

The airplane may, at the owner's discretion, be equipped with various types of avionics support equipment such as an audio control panel, microphone-headset, and static dischargers. The following paragraphs discuss these items.

AUDIO CONTROL PANEL

Operation of radio equipment is covered in Section 9 of this handbook. When one or more radios are installed, a transmitter/audio switching system is provided (see figure 7-10). The operation of this switching system is described in the following paragraphs.

TRANSMITTER SELECTOR SWITCH

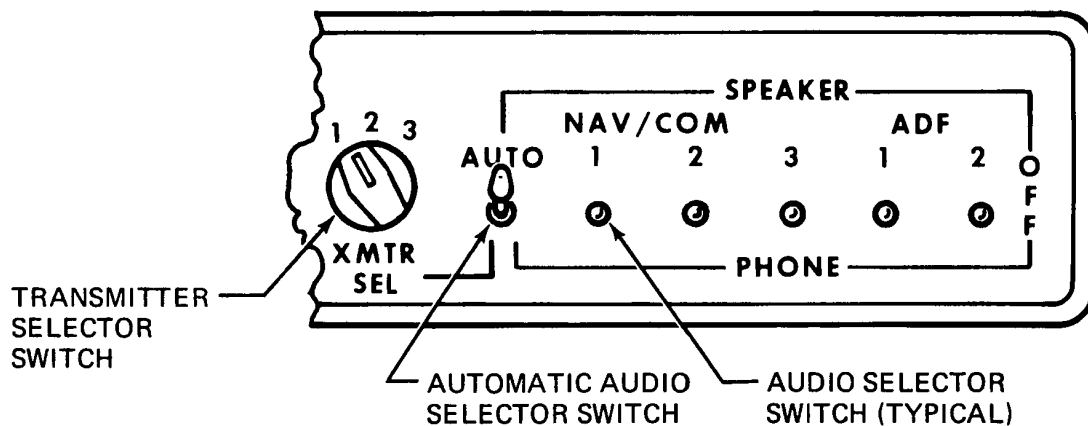
A rotary type transmitter selector switch, labeled XMTR SEL, is provided to connect the microphone to the transmitter the pilot desires to use. To select a transmitter, rotate the switch to the number corresponding to that transmitter. The numbers 1, 2 and 3 above the switch correspond to the top, second and third transceivers in the avionics stack.

An audio amplifier is required for speaker operation, and is automatically selected, along with the transmitter, by the transmitter selector switch. As an example, if the number 1 transmitter is selected, the audio amplifier in the associated NAV/COM receiver is also selected, and functions as the amplifier for ALL speaker audio. In the event the audio amplifier in use fails, as evidenced by loss of all speaker audio, select another transmitter. This should re-establish speaker audio. Headset audio is not affected by audio amplifier operation.

AUTOMATIC AUDIO SELECTOR SWITCH

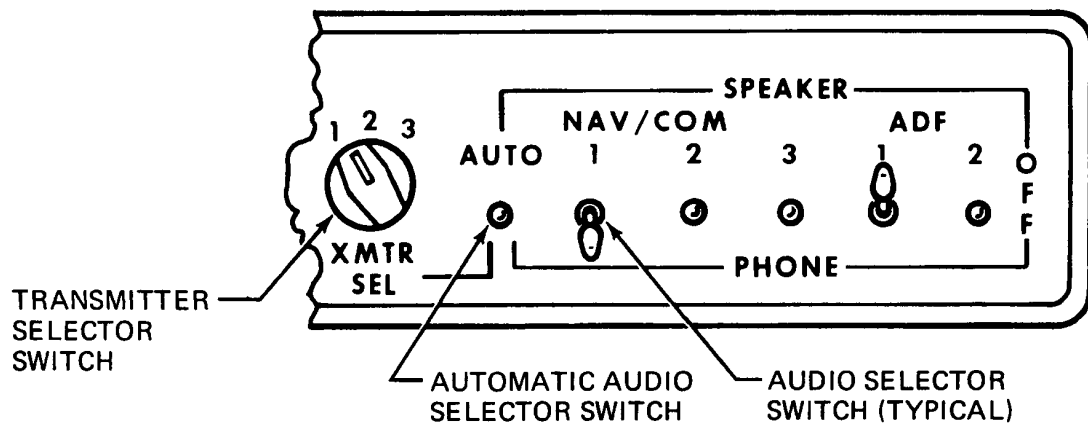
A toggle switch, labeled AUTO, can be used to automatically match the appropriate NAV/COM receiver audio to the transmitter being selected. To utilize this automatic feature, leave all NAV/COM receiver switches in the OFF (center) position, and place the AUTO selector switch in either the SPEAKER or PHONE position, as desired. Once the AUTO selector switch is positioned, the pilot may then select any transmitter

AUTOMATIC AUDIO SELECTION



As illustrated, the number 1 transmitter is selected, the AUTO selector switch is in the SPEAKER position, and the NAV/COM 1, 2 and 3 and ADF 1 and 2 audio selector switches are in the OFF position. With the switches set as shown, the pilot will transmit on the number 1 transmitter and hear the number 1 NAV/COM receiver through the airplane speaker.

INDIVIDUAL AUDIO SELECTION



As illustrated, the number 1 transmitter is selected, the AUTO selector switch is in the OFF position, the number 1 NAV/COM receiver is in the PHONE position, and the number 1 ADF is in the SPEAKER position. With the switches set as shown, the pilot will transmit on the number 1 transmitter and hear the number 1 NAV/COM receiver on a headset, while the passengers are listening to the ADF audio through the airplane speaker. If another audio selector switch is placed in either the PHONE or SPEAKER position, it will be heard simultaneously with either the number 1 NAV/COM or number 1 ADF respectively.

Figure 7-10. Audio Control Panel

and its associated NAV/COM receiver audio simultaneously with the transmitter selector switch. If automatic audio selection is not desired, the AUTO selector switch should be placed in the OFF (center) position.

AUDIO SELECTOR SWITCHES

The audio selector switches, labeled NAV/COM 1, 2 and 3 and ADF 1 and 2, allow the pilot to initially pre-tune all NAV/COM and ADF receivers, and then individually select and listen to any receiver or combination of receivers. To listen to a specific receiver, first check that the AUTO selector switch is in the OFF (center) position, then place the audio selector switch corresponding to that receiver in either the SPEAKER (up) or PHONE (down) position. To turn off the audio of the selected receiver, place that switch in the OFF (center) position. If desired, the audio selector switches can be positioned to permit the pilot to listen to one receiver on a headset while the passengers listen to another receiver on the airplane speaker.

The ADF 1 and 2 switches may be used anytime ADF audio is desired. If the pilot wants only ADF audio, for station identification or other reasons, the AUTO selector switch (if in use) and all other audio selector switches should be in the OFF position. If simultaneous ADF and NAV/COM audio is acceptable to the pilot, no change in the existing switch positions is required. Place the ADF 1 or 2 switch in either the SPEAKER or PHONE position and adjust radio volume as desired.

NOTE

If the NAV/COM audio selector switch corresponding to the selected transmitter is in the PHONE position with the AUTO selector switch in the SPEAKER position, all audio selector switches placed in the PHONE position will automatically be connected to both the airplane speaker and any headsets in use.

MICROPHONE-HEADSET

The microphone-headset combination consists of the microphone and headset combined in a single unit and a microphone keying switch located on the left side of the pilot's control wheel. The microphone-headset permits the pilot to conduct radio communications without interrupting other control operations to handle a hand-held microphone. Also, passengers need not listen to all communications. The microphone and headset jacks are located near the lower left corner of the instrument panel.

STATIC DISCHARGERS

If frequent IFR flights are planned, installation of wick-type static dischargers is recommended to improve radio communications during flight through dust or various forms of precipitation (rain, snow or ice crystals). Under these conditions, the build-up and discharge of static electricity from the trailing edges of the wings, rudder, elevator, propeller tips and radio antennas can result in loss of usable radio signals on all communications and navigation radio equipment. Usually the ADF is first to be affected and VHF communication equipment is the last to be affected.

Installation of static dischargers reduces interference from precipitation static, but it is possible to encounter severe precipitation static conditions which might cause the loss of radio signals, even with static dischargers installed. Whenever possible, avoid known severe precipitation areas to prevent loss of dependable radio signals. If avoidance is impractical, minimize airspeed and anticipate temporary loss of radio signals while in these areas.

SECTION 8

AIRPLANE HANDLING, SERVICE & MAINTENANCE

TABLE OF CONTENTS

| | Page |
|--|------|
| Introduction | 8-3 |
| Identification Plate | 8-3 |
| Owner Follow-Up System | 8-3 |
| Publications | 8-3 |
| Airplane File | 8-4 |
| Airplane Inspection Periods | 8-5 |
| FAA Required Inspections | 8-5 |
| Cessna Progressive Care | 8-6 |
| Cessna Customer Care Program | 8-6 |
| Pilot Conducted Preventive Maintenance | 8-7 |
| Alterations or Repairs | 8-7 |
| Ground Handling | 8-7 |
| Towing | 8-7 |
| Parking | 8-7 |
| Tie-Down | 8-8 |
| Jacking | 8-8 |
| Leveling | 8-9 |
| Flyable Storage | 8-9 |
| Servicing | 8-10 |
| Engine Oil | 8-10 |
| Fuel | 8-11 |
| Landing Gear | 8-12 |
| Cleaning and Care | 8-12 |
| Windshield-Windows | 8-12 |
| Painted Surfaces | 8-12 |
| Propeller Care | 8-13 |
| Engine Care | 8-13 |
| Interior Care | 8-14 |

INTRODUCTION

This section contains factory-recommended procedures for proper ground handling and routine care and servicing of your Cessna. It also identifies certain inspection and maintenance requirements which must be followed if your airplane is to retain that new-plane performance and dependability. It is wise to follow a planned schedule of lubrication and preventive maintenance based on climatic and flying conditions encountered in your locality.

Keep in touch with your Cessna Dealer and take advantage of his knowledge and experience. He knows your airplane and how to maintain it. He will remind you when lubrications and oil changes are necessary, and about other seasonal and periodic services.

IDENTIFICATION PLATE

All correspondence regarding your airplane should include the SERIAL NUMBER. The Serial Number, Model Number, Production Certificate Number (PC) and Type Certificate Number (TC) can be found on the Identification Plate, located on the lower part of the left forward doorpost. Located adjacent to the Identification Plate is a Finish and Trim Plate which contains a code describing the interior color scheme and exterior paint combination of the airplane. The code may be used in conjunction with an applicable Parts Catalog if finish and trim information is needed.

OWNER FOLLOW-UP SYSTEM

Your Cessna Dealer has an Owner Follow-Up System to notify you when he receives information that applies to your Cessna. In addition, if you wish, you may choose to receive similar notification, in the form of Service Letters, directly from the Cessna Customer Services Department. A subscription form is supplied in your Customer Care Program book for your use, should you choose to request this service. Your Cessna Dealer will be glad to supply you with details concerning these follow-up programs, and stands ready, through his Service Department, to supply you with fast, efficient, low-cost service.

PUBLICATIONS

Various publications and flight operation aids are furnished in the

airplane when delivered from the factory. These items are listed below.

- CUSTOMER CARE PROGRAM BOOK
- PILOT'S OPERATING HANDBOOK/SUPPLEMENTS FOR YOUR
AIRPLANE
AVIONICS AND AUTOPILOT
- PILOT'S CHECKLISTS
- POWER COMPUTER
- SALES AND SERVICE DEALER DIRECTORY

The following additional publications, plus many other supplies that are applicable to your airplane, are available from your Cessna Dealer.

- SERVICE MANUALS AND PARTS CATALOGS FOR YOUR
AIRPLANE
ENGINE AND ACCESSORIES
AVIONICS AND AUTOPILOT

Your Cessna Dealer has a Customer Care Supplies Catalog covering all available items, many of which he keeps on hand. He will be happy to place an order for any item which is not in stock.

AIRPLANE FILE

There are miscellaneous data, information and licenses that are a part of the airplane file. The following is a checklist for that file. In addition, a periodic check should be made of the latest Federal Aviation Regulations to ensure that all data requirements are met.

A. To be displayed in the airplane at all times:

- (1) Aircraft Airworthiness Certificate (FAA Form 8100-2).
- (2) Aircraft Registration Certificate (FAA Form 8050-3).
- (3) Aircraft Radio Station License, if transmitter installed (FCC Form 556).

B. To be carried in the airplane at all times:

- (1) Weight and Balance, and associated papers (latest copy of the Repair and Alteration Form, FAA Form 337, if applicable).
- (2) Equipment List.

C. To be made available upon request:

- (1) Airplane Log Book.
- (2) Engine Log Book.

Most of the items listed are required by the United States Federal Aviation Regulations. Since the Regulations of other nations may require other documents and data, owners of airplanes not registered in the United States should check with their own aviation officials to determine their individual requirements.

Cessna recommends that these items, plus the Pilot's Operating Handbook, Pilot's Checklists, Power Computer, Customer Care Program book and Customer Care Card, be carried in the airplane at all times.

AIRPLANE INSPECTION PERIODS

FAA REQUIRED INSPECTIONS

As required by Federal Aviation Regulations, all civil aircraft of U.S. registry must undergo a complete inspection (annual) each twelve calendar months. In addition to the required ANNUAL inspection, aircraft operated commercially (for hire) must have a complete inspection every 100 hours of operation.

The FAA may require other inspections by the issuance of airworthiness directives applicable to the airplane, engine, propeller and components. It is the responsibility of the owner/operator to ensure compliance with all applicable airworthiness directives and, when the inspections are repetitive, to take appropriate steps to prevent inadvertent noncompliance.

In lieu of the 100 HOUR and ANNUAL inspection requirements, an airplane may be inspected in accordance with a progressive inspection schedule, which allows the work load to be divided into smaller operations that can be accomplished in shorter time periods.

The CESSNA PROGRESSIVE CARE PROGRAM has been developed to provide a modern progressive inspection schedule that satisfies the complete airplane inspection requirements of both the 100 HOUR and ANNUAL inspections as applicable to Cessna airplanes. The program assists the owner in his responsibility to comply with all FAA inspection requirements, while ensuring timely replacement of life-limited parts and adherence to factory-recommended inspection intervals and maintenance procedures.

CESSNA PROGRESSIVE CARE

The Cessna Progressive Care Program has been designed to help you realize maximum utilization of your airplane at a minimum cost and downtime. Under this program, your airplane is inspected and maintained in four operations at 50-hour intervals during a 200-hour period. The operations are recycled each 200 hours and are recorded in a specially provided Aircraft Inspection Log as each operation is conducted.

The Cessna Aircraft Company recommends Progressive Care for airplanes that are being flown 200 hours or more per year, and the 100-hour inspection for all other airplanes. The procedures for the Progressive Care Program and the 100-hour inspection have been carefully worked out by the factory and are followed by the Cessna Dealer Organization. The complete familiarity of Cessna Dealers with Cessna equipment and factory-approved procedures provides the highest level of service possible at lower cost to Cessna owners.

Regardless of the inspection method selected by the owner, he should keep in mind that FAR Part 43 and FAR Part 91 establishes the requirement that properly certified agencies or personnel accomplish all required FAA inspections and most of the manufacturer recommended inspections.

CESSNA CUSTOMER CARE PROGRAM

Specific benefits and provisions of the CESSNA WARRANTY plus other important benefits for you are contained in your CUSTOMER CARE PROGRAM book supplied with your airplane. You will want to thoroughly review your Customer Care Program book and keep it in your airplane at all times.

Coupons attached to the Program book entitle you to an initial inspection and either a Progressive Care Operation No. 1 or the first 100-hour inspection within the first 6 months of ownership at no charge to you. If you take delivery from your Dealer, the initial inspection will have been performed before delivery of the airplane to you. If you pick up your airplane at the factory, plan to take it to your Dealer reasonably soon after you take delivery, so the initial inspection may be performed allowing the Dealer to make any minor adjustments which may be necessary.

You will also want to return to your Dealer either at 50 hours for your first Progressive Care Operation, or at 100 hours for your first 100-hour inspection depending on which program you choose to establish for your airplane. While these important inspections will be performed for you by any Cessna Dealer, in most cases you will prefer to have the Dealer from whom you purchased the airplane accomplish this work.

PILOT CONDUCTED PREVENTIVE MAINTENANCE

A certified pilot who owns or operates an airplane not used as an air carrier is authorized by FAR Part 43 to perform limited maintenance on his airplane. Refer to FAR Part 43 for a list of the specific maintenance operations which are allowed.

NOTE

Pilots operating airplanes of other than U.S. registry should refer to the regulations of the country of certification for information on preventive maintenance that may be performed by pilots.

A Service Manual should be obtained prior to performing any preventive maintenance to ensure that proper procedures are followed. Your Cessna Dealer should be contacted for further information or for required maintenance which must be accomplished by appropriately licensed personnel.

ALTERATIONS OR REPAIRS

It is essential that the FAA be contacted prior to any alterations on the airplane to ensure that airworthiness of the airplane is not violated. Alterations or repairs to the airplane must be accomplished by licensed personnel.

GROUND HANDLING

TOWING

The airplane is most easily and safely maneuvered by hand with the tow-bar attached to the nose wheel. When towing with a vehicle, do not exceed the nose gear turning angle of 30° either side of center, or damage to the gear will result. If the airplane is towed or pushed over a rough surface during hangaring, watch that the normal cushioning action of the nose strut does not cause excessive vertical movement of the tail and the resulting contact with low hangar doors or structure. A flat nose tire or deflated strut will also increase tail height.

PARKING

When parking the airplane, head into the wind and set the parking brakes. Do not set the parking brakes during cold weather when accumulated moisture may freeze the brakes, or when the brakes are overheated.

Install the control wheel lock and chock the wheels. In severe weather and high wind conditions, tie the airplane down as outlined in the following paragraph.

TIE-DOWN

Proper tie-down procedure is the best precaution against damage to the parked airplane by gusty or strong winds. To tie-down the airplane securely, proceed as follows:

- (1) Set the parking brake and install the control wheel lock.
- (2) Install a surface control lock over the fin and rudder.
- (3) Tie sufficiently strong ropes or chains (700 pounds tensile strength) to the wing, tail, and nose tie-down fittings and secure each rope to a ramp tie-down.
- (4) Install a pitot tube cover.

JACKING

When a requirement exists to jack the entire airplane off the ground, or when wing jack points are used in the jacking operation, refer to the Service Manual for specific procedures and equipment required.

Individual main gear may be jacked by using the jack pad which is incorporated in the main landing gear strut step bracket. When using the individual gear strut jack pad, flexibility of the gear strut will cause the main wheel to slide inboard as the wheel is raised, tilting the jack. The jack must then be lowered for a second jacking operation. Do not jack both main wheels simultaneously using the individual main gear jack pads.

If nose gear maintenance is required, the nose wheel may be raised off the ground by pressing down on a tailcone bulkhead, just forward of the horizontal stabilizer, and allowing the tail to rest on the tail tie-down ring.

NOTE

Do not apply pressure on the elevator or outboard stabilizer surfaces. When pushing on the tailcone, always apply pressure at a bulkhead to avoid buckling the skin.

To assist in raising and holding the nose wheel off the ground, weight down the tail by placing sand-bags, or suitable weights, on each side of the horizontal stabilizer, next to the fuselage. If ground anchors are

available, the tail should be securely tied down.

NOTE

Ensure that the nose will be held off the ground under all conditions by means of suitable stands or supports under weight supporting bulkheads near the nose of the airplane.

LEVELING

Longitudinal leveling of the airplane is accomplished by placing a level on leveling screws located on the left side of the tailcone. Deflate the nose tire and/or lower or raise the nose strut to properly center the bubble in the level. Corresponding points on both upper door sills may be used to level the airplane laterally.

FLYABLE STORAGE

Airplanes placed in non-operational storage for a maximum of 30 days or those which receive only intermittent operational use for the first 25 hours are considered in flyable storage status. Every seventh day during these periods, the propeller should be rotated by hand through five revolutions. This action "limbers" the oil and prevents any accumulation of corrosion on engine cylinder walls.

WARNING

For maximum safety, check that the ignition switch is OFF, the throttle is closed, the mixture control is in the idle cut-off position, and the airplane is secured before rotating the propeller by hand. Do not stand within the arc of the propeller blades while turning the propeller.

After 30 days, the airplane should be flown for 30 minutes or a ground runup should be made just long enough to produce an oil temperature within the lower green arc range. Excessive ground runup should be avoided.

Engine runup also helps to eliminate excessive accumulations of water in the fuel system and other air spaces in the engine. Keep fuel tanks full to minimize condensation in the tanks. Keep the battery fully charged to prevent the electrolyte from freezing in cold weather. If the airplane is to be stored temporarily, or indefinitely, refer to the Service Manual for proper storage procedures.

SERVICING

In addition to the PREFLIGHT INSPECTION covered in Section 4, COMPLETE servicing, inspection, and test requirements for your airplane are detailed in the Service Manual. The Service Manual outlines all items which require attention at 50, 100, and 200 hour intervals plus those items which require servicing, inspection, and/or testing at special intervals.

Since Cessna Dealers conduct all service, inspection, and test procedures in accordance with applicable Service Manuals, it is recommended that you contact your Cessna Dealer concerning these requirements and begin scheduling your airplane for service at the recommended intervals.

Cessna Progressive Care ensures that these requirements are accomplished at the required intervals to comply with the 100-hour or ANNUAL inspection as previously covered.

Depending on various flight operations, your local Government Aviation Agency may require additional service, inspections, or tests. For these regulatory requirements, owners should check with local aviation officials where the airplane is being operated.

For quick and ready reference, quantities, materials, and specifications for frequently used service items are as follows.

ENGINE OIL

GRADE AND VISCOSITY FOR TEMPERATURE RANGE --

The airplane was delivered from the factory with a corrosion preventive aircraft engine oil. This oil should be drained after the first 25 hours of operation, and the following oils used as specified for the average ambient air temperature in the operating area.

MIL-L-6082 Aviation Grade Straight Mineral Oil: Use to replenish supply during the first 25 hours and at the first 25-hour oil change. Continue to use until a total of 50 hours has accumulated or oil consumption has stabilized.

SAE 50 above 16°C (60°F)

SAE 40 between -1°C (30°F) and 32°C (90°F).

SAE 30 between -18°C (0°F) and 21°C (70°F).

SAE 20 below -12°C (10°F).

MIL-L-22851 Ashless Dispersant Oil: This oil must be used after the first 50 hours or oil consumption has stabilized.

SAE 40 or SAE 50 above 16°C (60°F).

SAE 40 between -1°C (30°F) and 32°C (90°F).

SAE 30 or SAE 40 between -18°C (0°F) and 21°C (70°F).

SAE 30 below -12°C (10°F).

CAPACITY OF ENGINE SUMP -- 6 Quarts.

Do not operate on less than 4 quarts. To minimize loss of oil through breather, fill to 5 quart level for normal flights of less than 3 hours. For extended flight, fill to 6 quarts. These quantities refer to oil dipstick level readings. During oil and oil filter changes, one additional quart is required when the filter element is changed.

OIL AND OIL FILTER CHANGE --

After the first 25 hours of operation, drain engine oil sump and oil cooler and clean the oil pressure screen. If an oil filter is installed, change filter at this time. Refill sump with straight mineral oil and use until a total of 50 hours has accumulated or oil consumption has stabilized; then change to dispersant oil. On airplanes not equipped with an oil filter, drain the engine oil sump and oil cooler and clean the oil pressure screen each 50 hours thereafter. On airplanes which have an oil filter, the oil change interval may be extended to 100-hour intervals, providing the oil filter is changed at 50-hour intervals. Change engine oil at least every 6 months even though less than the recommended hours have accumulated. Reduce intervals for prolonged operation in dusty areas, cold climates, or when short flights and long idle periods result in sludging conditions.

FUEL

APPROVED FUEL GRADES (AND COLORS) --

100LL Grade Aviation Fuel (Blue).

100 (Formerly 100/130) Grade Aviation Fuel (Green).

CAPACITY EACH STANDARD TANK -- 21.5 Gallons.

CAPACITY EACH LONG RANGE TANK -- 27 Gallons.

NOTE

To ensure maximum fuel capacity when refueling, place the fuel selector valve in either LEFT or RIGHT position to prevent cross-feeding.

LANDING GEAR

NOSE WHEEL TIRE PRESSURE -- 31 PSI on 5.00-5, 4-Ply Rated Tire.
26 PSI on 6.00-6, 4-Ply Rated Tire.
MAIN WHEEL TIRE PRESSURE -- 29 PSI on 6.00-6, 4-Ply Rated Tires.
NOSE GEAR SHOCK STRUT --
Keep filled with MIL-H-5606 hydraulic fluid and inflated with air to
45 PSI.

CLEANING AND CARE

WINDSHIELD-WINDOWS

The plastic windshield and windows should be cleaned with an aircraft windshield cleaner. Apply the cleaner sparingly with soft cloths, and rub with moderate pressure until all dirt, oil scum and bug stains are removed. Allow the cleaner to dry, then wipe it off with soft flannel cloths.

If a windshield cleaner is not available, the plastic can be cleaned with soft cloths moistened with Stoddard solvent to remove oil and grease.

NOTE

Never use gasoline, benzine, alcohol, acetone, carbon tetrachloride, fire extinguisher or anti-ice fluid, lacquer thinner or glass cleaner to clean the plastic. These materials will attack the plastic and may cause it to craze.

Follow by carefully washing with a mild detergent and plenty of water. Rinse thoroughly, then dry with a clean moist chamois. Do not rub the plastic with a dry cloth since this builds up an electrostatic charge which attracts dust. Waxing with a good commercial wax will finish the cleaning job. A thin, even coat of wax polished out by hand with clean soft flannel cloths, will fill in minor scratches and help prevent further scratching.

Do not use a canvas cover on the windshield unless freezing rain or sleet is anticipated since the cover may scratch the plastic surface.

PAINTED SURFACES

The painted exterior surfaces of your new Cessna have a durable, long lasting finish and, under normal conditions, require no polishing or buffing. Approximately 15 days are required for the paint to cure completely; in most cases, the curing period will have been completed prior to delivery of the airplane. In the event that polishing or buffing is re-

quired within the curing period, it is recommended that the work be done by someone experienced in handling uncured paint. Any Cessna Dealer can accomplish this work.

Generally, the painted surfaces can be kept bright by washing with water and mild soap, followed by a rinse with water and drying with cloths or a chamois. Harsh or abrasive soaps or detergents which cause corrosion or scratches should never be used. Remove stubborn oil and grease with a cloth moistened with Stoddard solvent.

Waxing is unnecessary to keep the painted surfaces bright. However, if desired, the airplane may be waxed with a good automotive wax. A heavier coating of wax on the leading edges of the wings and tail and on the engine nose cap and propeller spinner will help reduce the abrasion encountered in these areas.

When the airplane is parked outside in cold climates and it is necessary to remove ice before flight, care should be taken to protect the painted surfaces during ice removal with chemical liquids. A 50-50 solution of isopropyl alcohol and water will satisfactorily remove ice accumulations without damaging the paint. A solution with more than 50% alcohol is harmful and should be avoided. While applying the de-icing solution, keep it away from the windshield and cabin windows since the alcohol will attack the plastic and may cause it to craze.

PROPELLER CARE

Preflight inspection of propeller blades for nicks, and wiping them occasionally with an oily cloth to clean off grass and bug stains will assure long, trouble-free service. Small nicks on the propeller, particularly near the tips and on the leading edges, should be dressed out as soon as possible since these nicks produce stress concentrations, and if ignored, may result in cracks. Never use an alkaline cleaner on the blades; remove grease and dirt with carbon tetrachloride or Stoddard solvent.

ENGINE CARE

The engine may be cleaned with Stoddard solvent, or equivalent, then dried thoroughly.

CAUTION

Particular care should be given to electrical equipment before cleaning. Cleaning fluids should not be allowed to enter magnetos, starter, alternator and the like. Protect these components before saturating the engine

with solvents. All other openings should also be covered before cleaning the engine assembly. Caustic cleaning solutions should be used cautiously and should always be properly neutralized after their use.

INTERIOR CARE

To remove dust and loose dirt from the upholstery and carpet, clean the interior regularly with a vacuum cleaner.

Blot up any spilled liquid promptly with cleansing tissue or rags. Don't pat the spot; press the blotting material firmly and hold it for several seconds. Continue blotting until no more liquid is taken up. Scrape off sticky materials with a dull knife, then spot-clean the area.

Oil spots may be cleaned with household spot removers, used sparingly. Before using any solvent, read the instructions on the container and test it on an obscure place on the fabric to be cleaned. Never saturate the fabric with a volatile solvent; it may damage the padding and backing materials.

Soiled upholstery and carpet may be cleaned with foam-type detergent, used according to the manufacturer's instructions. To minimize wetting the fabric, keep the foam as dry as possible and remove it with a vacuum cleaner.

If your airplane is equipped with leather seating, cleaning of the seats is accomplished using a soft cloth or sponge dipped in mild soap suds. The soap suds, used sparingly, will remove traces of dirt and grease. The soap should be removed with a clean damp cloth.

The plastic trim, headliner, instrument panel and control knobs need only be wiped off with a damp cloth. Oil and grease on the control wheel and control knobs can be removed with a cloth moistened with Stoddard solvent. Volatile solvents, such as mentioned in paragraphs on care of the windshield, must never be used since they soften and craze the plastic.